



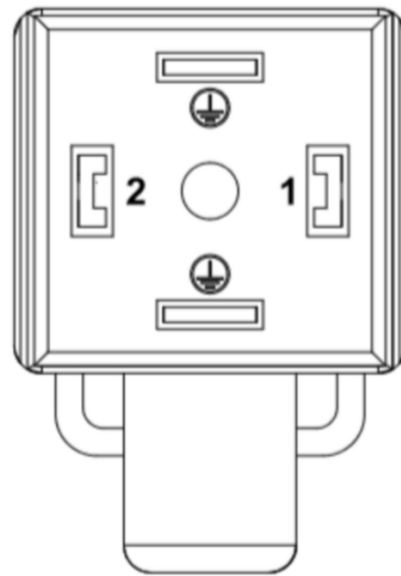
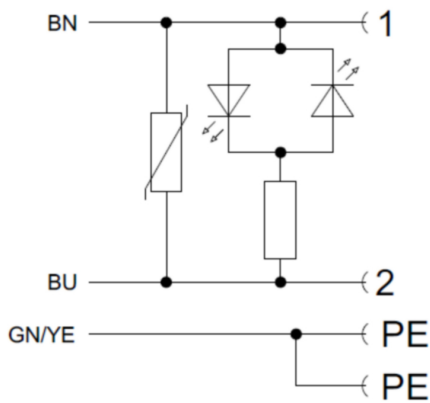
Product: [VAD 1A-3-3-226](#) 

Form A - Female 90° | #Contacts: 2+2 PE | Varistor (MOV) & ye LED | 250 V |
Cable: Black (PUR); 0.50 mm²; IEC

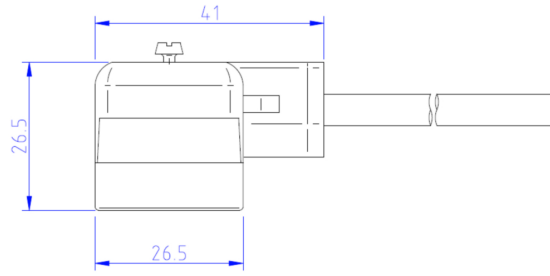
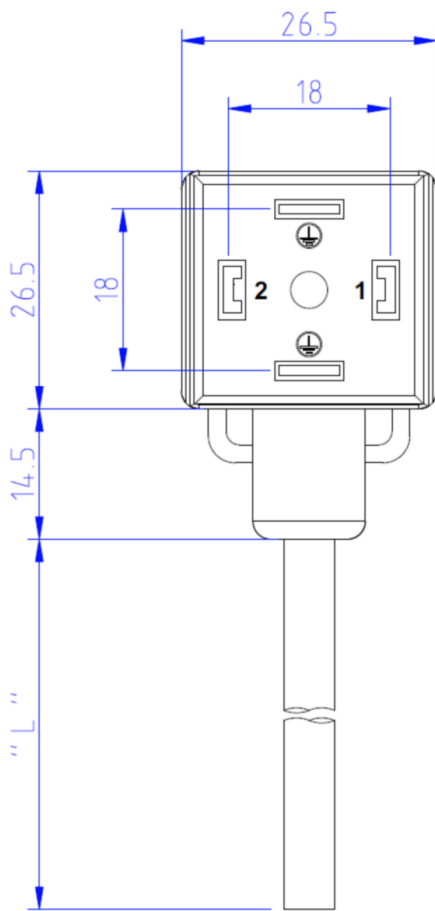
Product Description

Form A - Singled-Ended Female Angled Cordset | #Contacts: 2+2 PE | Varistor (MOV) & yellow LED | 250 V / 4 A | Cable: Black PUR Jacket; 3x0.50 mm² (20 AWG); IEC

Technical Drawing



1 = BN
2 = BU
PE = GN/YE



Technical Specifications

Product Life Cycle

| | |
|---------------|-------------------------------|
| Life Cycle: | Active - Product is available |
| Availability: | Active |

Technical Data

| | |
|-----------------------------------|---------------------------------------|
| Product Family: | Valve Connectors |
| Side 1 Product Sub Family: | VAD |
| Brand: | Lumberg Automation |
| Connector Type: | Cordset, single ended |
| Side 1 Type of Contact/Gender: | Socket Contact / Female |
| Connector Design: | Angled (90°) Body |
| Number of Pins: | 2+2 PE |
| Coding, Side 1: | A |
| Shielding Type: | Unshielded |
| Attachment Type: | Central Screw |
| Voltage Rating: | 250 V |
| Rated Impulse Voltage: | 4.0 kV |
| Operating Voltage: | 230 V AC/DC |
| Current Rating: | 4 A |
| Side 1 Contact Resistance: | ≤ 5 mOhm |
| Insulation Resistance: | > 10 ⁹ Ohm |
| Mating Cycles: | ≤ 50 |
| Cross Section: | 0.50 mm ² |
| Ambient Temperature (Operation)*: | - 25 °C - + 80 °C |
| Protection Degree / IP Rating**: | IP65, IP67 |
| Side 1 Design Standard: | DIN EN 175301-803-A, ISO 4400 |
| Side 1 Pollution Degree: | 3 acc. to DIN EN 60664-1 (VDE 0110-1) |

| | |
|--------------------------------|---|
| Clearance / Creepage Distance: | DIN EN 60664-1 (2008/01); VDE 0110-1 |
| Overvoltage Category: | III acc. to DIN EN 60664-1 (VDE 0110-1) |

Materials

| | |
|--------------------------------------|----------------------------------|
| Contact Base Material: | Brass (CuZn) |
| Side 1 Contact Plating: | Copper Nickel Alloy (Cu/Ni,Sn) |
| Contact Bearer Material: | Polybutylene terephthalate (PBT) |
| Contact Bearer Color: | Black |
| Flammability Class (Contact Bearer): | UL 94 V-0 |
| Molded Body Material: | Thermoplastic Polyurethane (TPU) |
| Molded Body Color: | Translucent |
| Flammability Class (Molded Body): | UL 94 HB |
| Attachment Material: | Steel, Phillips combi slot |
| Gasket Material: | Molded Integrated Gasket |

Protection Circuitry

| | |
|---------------------|----------------|
| Function Indicator: | Yellow LED |
| Protective Circuit: | Varistor (MOV) |

Additional Technical Data

| | |
|----------------------------------|--|
| Fastening Torque (Attachment): | (50-60) Ncm |
| Accessories to Order Separately: | 934887001 - GAN EPDM gasket and holding clip |

Cable Data

| | |
|---|--|
| Cable Number: | 226 |
| Conductor Size: | 0.5 mm ² |
| Number of Wires: | 3 |
| Minimal Bending Radius (Fixed Inst): | > 5 x D |
| Minimal Bending Radius (Flexible Inst): | > 10 x D |
| Cycles (Bending): | > 5 mio |
| Cycles (Torsion): | > 5 M @ ± 360 °/1 m |
| Conductor Material: | Cu |
| Cable Jacket Material: | Polyurethane (PUR) |
| Cable Jacket Color: | Black |
| Cable Diameter D: | Ø 4.6 mm [0.181 "] |
| Wire Insulation Material: | Polypropylene (PP) |
| Insulated Wire Diameter: | Ø 1.50 mm [0.06 "] |
| Ambient Temperature (Fixed Installation): | - 50 °C to + 105 °C (UL: + 80 °C) |
| Ambient Temperature (Flex Installation): | - 25 °C to + 105 °C (UL: + 80 °C) |
| UL Cable Type: | AWM: 20549 |
| Flammability Class (Cable Jacket): | DIN EN 50265-2-2, VDE 0482-265-2-2, IEC 60332-2-2, CSA FT2 |
| Cable Characteristics: | Good microbes and hydrolysis resistance; Mainly plasticizer diffusion free; Exclusion of PVC and silicone; Coldness flexibility; Free of lacquer wetting disturbing substances |

Safety & Environmental Compliance

| | |
|-----------------|-----|
| RoHS Compliant: | Yes |
|-----------------|-----|

Resistances

| | |
|-----------------|----------------------------------|
| Halogenfree: | Yes |
| Oil Resistance: | Good chemical and oil resistance |

Notes

| | |
|-------------------------------------|---|
| Note Derating: | Notice derating |
| Protection Degree / IP Rating Note: | *IP Rating test performed by Belden with Belden Connectors only |

Variants

| Item # | Item Description | Cable Length | Replaced By |
|--------|---------------------|--------------|---|
| 12147 | VAD 1A-3-3-226/5 M | 5 m | ID: 934889059 Name: GAN22LU-V2Y-2260500-1UC |
| 46041 | VAD 1A-3-3-226/10 M | 10 m | ID: 934889060 Name: GAN22LU-V2Y-2261000-1UB |

| | | | |
|-------|---------------------|------|---|
| 46042 | VAD 1A-3-3-226/15 M | 15 m | ID: 934889194 Name: GAN22LU-V2Y-2261500-1UB |
| 80700 | VAD 1A-3-3-226/2 M | 2 m | ID: 934889058 Name: GAN22LU-V2Y-2260200-1UC |

© 2026 Belden, Inc

All Rights Reserved.

Although Belden makes every reasonable effort to ensure their accuracy at the time of this publication, information and specifications described here in are subject to error or omission and to change without notice, and the listing of such information and specifications does not ensure product availability.

Belden provides the information and specifications herein on an "ASIS" basis, with no representations or warranties, whether express, statutory or implied. In no event will Belden be liable for any damages (including consequential, indirect, incidental, special, punitive, or exemplary damages) whatsoever, even if Belden has been advised of the possibility of such damages, whether in an action under contract, negligence or any other theory, arising out of or in connection with the use, or inability to use, the information or specifications described herein.

All sales of Belden products are subject to Belden's standard terms and conditions of sale.

Belden believes this product to be in compliance with all applicable environmental programs as listed in the data sheet. The information provided is correct to the best of Belden's knowledge, information and belief at the date of its publication. This information is designed only as a general guide for the safe handling, storage, and any other operation of the product itself or the one that it becomes a part of. The Product Disclosure is not to be considered a warranty or quality specification. Regulatory information is for guidance purposes only. Product users are responsible for determining the applicability of legislation and regulations based on their individual usage of the product.