



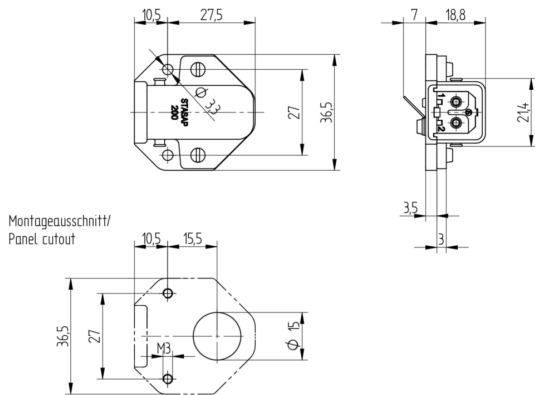
Product: [STASAP 200 V0](#)

Rectangular Receptacle Power Connector (ST Series): Male, panel mount with coding slot, 2-pin+PE, grey housing, 230 V AC/DC, 16 A AC/6 A DC

Product Description

Rectangular Receptacle Power Connector (ST Series): Male, panel mount with coding slot, 2-pin+PE, grey housing, 230 V AC/DC, 16 A AC/6 A DC

Technical Drawing



Technical Specifications

Technical Data

| | |
|-----------------------------------|--|
| Product Family: | Power Connector |
| Product Sub Family: | ST-Series |
| Brand: | Hirschmann |
| Connector Type: | Receptacle |
| Type of Contact / Gender: | male |
| Connector Design: | Panel Mount with flange with coding slot |
| Number of Pins: | 2+PE |
| Coding: | coding slot |
| Shielding: | Unshielded |
| Attachment Type: | safety bracket |
| Rated Voltage: | 250 V AC/DC |
| Rated Impulse Voltage: | 2.5 kV |
| Operating Voltage: | 230 V AC/DC |
| Rated Current*: | 16 A AC / 10 A DC |
| Contact Resistance: | ≤ 10 mOhm |
| Mating Cycles: | max. 50 |
| Type of Connection: | screw terminal |
| Conductor Cross Section: | 0.25 mm² to 1.50 mm² |
| Ambient Temperature (Operation)*: | -30°C to +90°C, notice Derating |
| Protection Degree / IP Rating**: | IP20 |

| | |
|--------------------------------|---------------------------------------|
| Design Standard: | DIN EN 61984 (VDE 0627), IEC 60335 |
| Pollution Degree: | 3 acc. to DIN EN 60664-1 (VDE 0110-1) |
| Clearance / Creepage Distance: | DIN EN 60664-1 (2008/01); VDE 0110-1 |

Materials

| | |
|--------------------------------------|-----------------------------------|
| Contact Base Material: | CuZn |
| Contact Plating: | Cu/Sn |
| Contact Bearer Material: | PA GF |
| Contact Bearer Color: | black |
| Flammability Class (Contact Bearer): | UL 94 V-0; GWFI 850°C; GWIT 775°C |
| Housing Material: | PA GF, baseplate: ZnAl Cu |
| Housing Plating: | baseplate: Ni |
| Housing Color: | grey |
| Flammability Class (Housing): | UL 94 V-0; GWFI 850°C; GWIT 775°C |
| Gasket Material: | NBR |

Additional Technical Data

| | |
|------------------------------------|---------------------------------------|
| Fastening Torque (Contact Screw): | M3: (25-30) Ncm |
| Fastening torque (mounting screw): | M 3: (50-60) Ncm, flange |
| Fastening Torque (Attachment): | M 3: (50-60) Ncm |
| Mounting: | Screw: M3 (2x) |
| Accessories to Order Separately: | STASI 2, 732-044-...., safety bracket |

Approvals

| | |
|----------|-----------|
| UL-File: | E95522 |
| UL: | UL |
| VDE: | VDE 61984 |
| SEV: | SEV |

Notes

| | |
|-------------------------------------|--|
| Note Derating: | * Notice derating |
| Protection Degree / IP Rating Note: | ** only if mounted and locked in combination with Hirschmann / Lumberg Automation connector. |
| Note: | Do not connect / disconnect under load. |
| Particularities: | * flame retardant of the plastic materials according to DIN EN 60335-1: GWFI 850 °C; GWIT 775 °C |

Variants

| Item # | Item Description |
|-----------|------------------|
| 932046206 | STASAP 200 V0 |

© 2024 Belden, Inc

All Rights Reserved.

Although Belden makes every reasonable effort to ensure their accuracy at the time of this publication, information and specifications described here in are subject to error or omission and to change without notice, and the listing of such information and specifications does not ensure product availability.

Belden provides the information and specifications herein on an "ASIS" basis, with no representations or warranties, whether express, statutory or implied. In no event will Belden be liable for any damages (including consequential, indirect, incidental, special, punitive, or exemplary damages) whatsoever, even if Belden has been advised of the possibility of such damages, whether in an action under contract, negligence or any other theory, arising out of or in connection with the use, or inability to use, the information or specifications described herein.

All sales of Belden products are subject to Belden's standard terms and conditions of sale.

Belden believes this product to be in compliance with all applicable environmental programs as listed in the data sheet. The information provided is correct to the best of Belden's knowledge, information and belief at the date of its publication. This information is designed only as a general guide for the safe handling, storage, and any other operation of the product itself or the one that it becomes a part of. The Product Disclosure is not to be considered a warranty or quality specification. Regulatory information is for guidance purposes only. Product users are responsible for determining the applicability of legislation and regulations based on their individual usage of the product.