

Product: [RSW 501-877](#) 

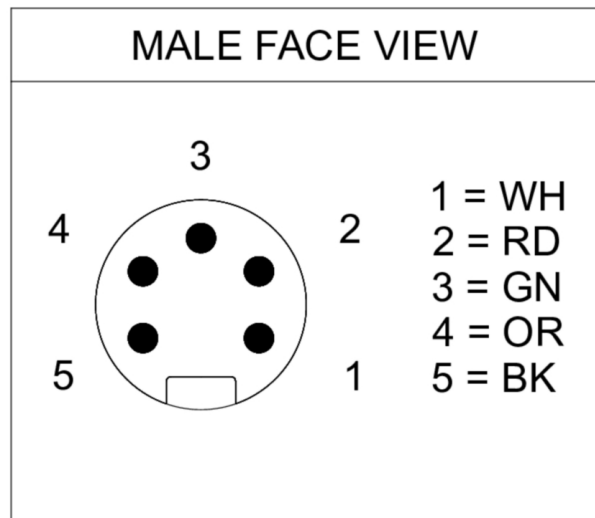
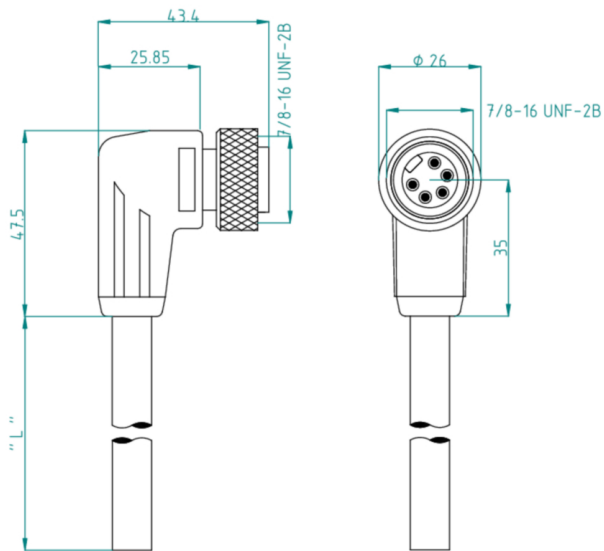
7/8" - Male 90° | #Contacts: 5 | 600 V | Cable TPE YE, 16 AWG, US | cURus



Product Description

7/8" Molded Cordset Male Angled | #Contacts: 5 | 600 V / 8 A | Cable TPE Yellow, 5x16 AWG, US | cURus 2238

Technical Drawing



Technical Specifications

Technical Data

Product Family:	Power Connector
Side 1 Product Sub Family:	7/8" (2, 3, 4, 5, 6 contacts)
Brand:	Lumberg Automation
Connector Type:	Cordset, single ended
Side 1 Type of Contact/Gender:	Pin Contact / Male
Connector Design:	7/8" Male 5 Pole 90°
Number of Pins:	5
Coding, Side 1:	A

Shielding Type:	Unshielded
Attachment Type:	Round Coupling Nut
Voltage Rating:	600 V
Rated Voltage (UL):	600 V
Current Rating:	8 A
Rated Current (UL)*:	8 A
Ambient Temperature (Operation)*:	- 40 °C to + 90°C
Protection Degree / IP Rating**:	IP65, IP67, NEMA 6P

Materials

Contact Base Material:	Brass (CuZn)
Side 1 Contact Plating:	Gold over Silver (Au / Ag)
Contact Bearer Material:	Thermoplastic polyurethane (TPU)
Contact Bearer Color:	Yellow
Molded Body Material:	Thermoplastic polyurethane (TPU)
Molded Body Color:	Yellow
Attachment Material:	Aluminum (Al), Anodized Black

Cable Data

Cable Number:	877
Conductor Size:	16 AWG (65/34)
Number of Wires:	5
Minimal Bending Radius (Flexible Inst):	> 10 x D
Conductor Material:	Cu
Cable Jacket Material:	TPE
Cable Jacket Color:	Yellow
Cable Diameter D:	Ø 9.4 mm
Wire Insulation Material:	PVC-Nylon
Insulated Wire Diameter:	Ø 2.5 mm
Ambient Temperature (Fixed Installation):	-30 °C to +90°C
UL Cable Type:	TC-ER (90°C Dry / 75°C Wet) 600 V
Flammability Class (Cable Jacket):	FT4 / IEEC 1202
Cable Characteristics:	See downloads tab for details

Approvals

UL-File:	E104696
UL:	UL recognized

Safety & Environmental Compliance

RoHS Compliant:	Yes
-----------------	-----

Notes

Note Derating:	* Notice derating
Protection Degree / IP Rating Note:	** only if mounted and locked in combination with Hirschmann / Lumberg Automation connector.

Variants

Item #	Item Description	Cable Length
540002692	RSW 501-877/4M	4 m
500003881	RSW 501-877/5M	5 m
540002693	RSW 501-877/6M	6 m
540002694	RSW 501-877/10M	10 m

© 2026 Belden, Inc

All Rights Reserved.

Although Belden makes every reasonable effort to ensure their accuracy at the time of this publication, information and specifications described here in are subject to error or omission and to change without notice, and the listing of such information and specifications does not ensure product availability.

Belden provides the information and specifications herein on an "ASIS" basis, with no representations or warranties, whether express, statutory or implied. In no event will Belden be liable for any damages (including consequential, indirect, incidental, special, punitive, or exemplary damages) whatsoever, even if Belden has been advised of the possibility of such damages, whether in an action under contract, negligence or any other theory, arising out of or in connection with the use, or inability to use, the information or specifications described herein.

All sales of Belden products are subject to Belden's standard terms and conditions of sale.

Belden believes this product to be in compliance with all applicable environmental programs as listed in the data sheet. The information provided is correct to the best of Belden's knowledge, information and belief at the date of its publication. This information is designed only as a general guide for the safe handling, storage, and any other operation of the product itself or the one that it becomes a part of. The Product

Disclosure is not to be considered a warranty or quality specification. Regulatory information is for guidance purposes only. Product users are responsible for determining the applicability of legislation and regulations based on their individual usage of the product.