



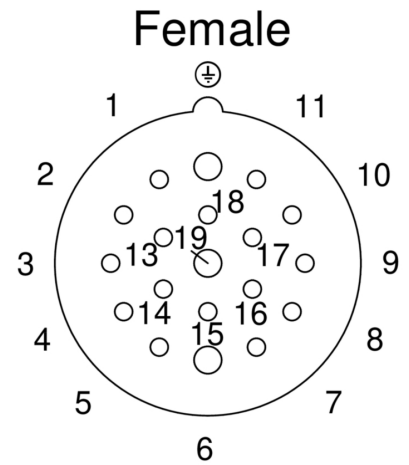
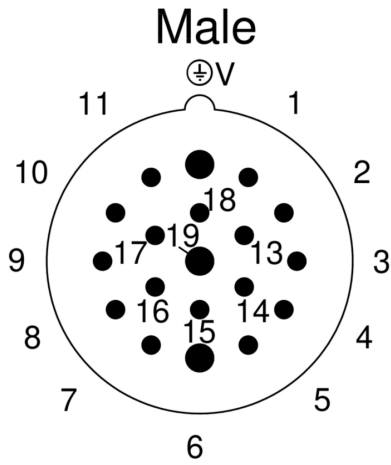
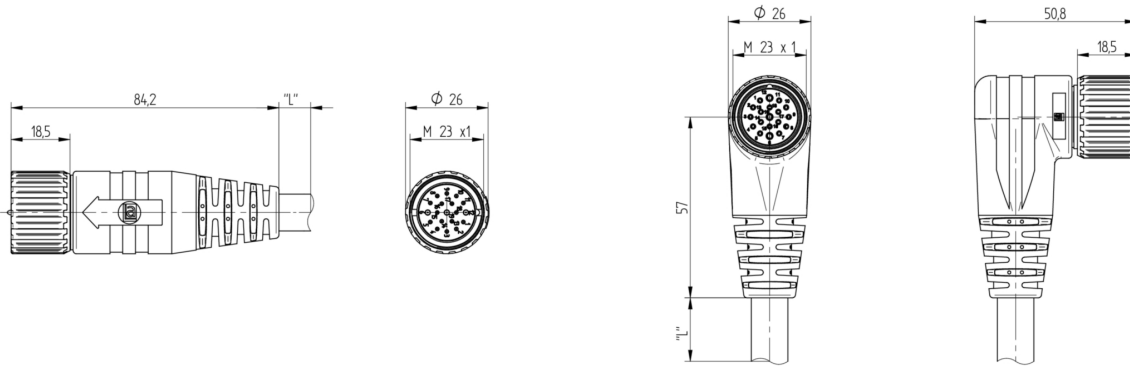
Product: [RSU 19-RKWU 19-242](#)

M23 - Male 0° to Female 90° | #Contacts: 19 | 120 V | Cable: Black (PUR);
16x0.5 mm² + 3x1.0 mm²; IEC

Product Description

M23 - Double-Ended Cordset: M23 - Male Straight | #Contacts: 19 | M23 - Female Angled | #Contacts: 19 | 120 V / 16x8 A + 3x10 A | Black PUR Jacket, 16x0.5 mm² (20 AWG) + 3x1.0 mm² (17 AWG), IEC

Technical Drawing



Technical Specifications

Face View Side 1

Pin 1	Pin 2	Pin 3	Pin 4	Pin 5	Pin 6	Pin 7	Pin 8	Pin 9	Pin 10	Pin 11	Pin 12	Pin 13	Pin 14	Pin 15	Pin 16	Pin 17	Pin 18	Pin 19
violet	red	grey	red-blue	green	blue	grey-pink	white-green	white-yellow	white-grey	black	green-yellow	yellow-brown	brown-green	white	yellow	pink	grey-brown	brown

Face View Side 2

Pin 1	Pin 2	Pin 3	Pin 4	Pin 5	Pin 6	Pin 7	Pin 8	Pin 9	Pin 10	Pin 11	Pin 12	Pin 13	Pin 14	Pin 15	Pin 16	Pin 17	Pin 18	Pin 19
violet	red	grey	red-blue	green	blue	grey-pink	white-green	white-yellow	white-grey	black	green-yellow	yellow-brown	brown-green	white	yellow	pink	grey-brown	brown

Product Description

Product Family:	Power Connector
Brand:	Lumberg Automation
Connector Type:	Cordset, double ended
Shielding Type:	Unshielded
Voltage Rating:	125 V
Rated Impulse Voltage:	1.5 kV
Operating Voltage:	120 V AC/DC
Current Rating:	16 x 8 A (pin-Ø 1 mm), 3 x 10 A (contact-Ø 1.5 mm)

Technical Data Side 1

Side 1 Product Sub Family:	M23 Power
Side 1 Type of Contact/Gender:	Pin Contact / Male
Connector Design:	M23 Male 19 Pole 0°
Attachment Type:	Coupling Nut
Number of Pins:	19
Insulation Resistance:	> 10 ⁹ Ohm
Mating Cycles:	≤ 100
Cross Section:	16x0.5mm ² + 3x1.0 mm ²
Ambient Temperature (Operation)*:	- 25 °C to + 80 °C
Protection Degree / IP Rating**:	IP67
Side 1 Pollution Degree:	3 acc. to DIN EN 60664-1 (VDE 0110-1)
Clearance / Creepage Distance:	acc. to DIN EN 60664-1 (VDE 0110-1)
Overvoltage Category:	II acc. to DIN EN 60664-1 (VDE 0110-1)
Contact Base Material:	Brass (CuZn)
Side 1 Contact Plating:	Gold over Copper (Cu/Au)
Contact Bearer Material:	Polybutylene terephthalate (PBT)
Contact Bearer Color:	White
Flammability Class (Contact Bearer):	UL 94 V0
Molded Body Material:	Thermoplastic Polyurethane (TPU)
Molded Body Color:	Black
Flammability Class (Molded Body):	UL 94-HB
Attachment Material:	Brass (CuZn)
Attachment Plating:	Nickel (Ni)
O-Ring Material:	Nitrile Butadiene Rubber (NBR)
Note:	Do not connect / disconnect under load.

Cable Data

Cable Number:	242
Conductor Size:	16x0.5mm ² + 3x1.0 mm ²
Number of Wires:	19
Minimal Bending Radius (Fixed Inst):	> 5 x D
Minimal Bending Radius (Flexible Inst):	> 10 x D
Cycles (Bending):	> 2 M
Conductor Material:	Cu
Cable Jacket Material:	Polyurethane (PUR)
Cable Jacket Color:	Black
Cable Diameter D:	Ø 11.60
Wire Insulation Material:	Polypropylene (PP)
Insulated Wire Diameter:	16 x Ø 1.45 mm [0.057"] + 3 x Ø 1.95 mm [0.077"]
Ambient Temperature (Fixed Installation):	- 50 °C to + 80 °C

Ambient Temperature (Flex Installation):	- 25 °C to + 80 °C
Ambient Temperature (Drag Chain Inst):	max. + 60 °C
UL Cable Type:	AWM: 21198 / 20549
Flammability Class (Cable Jacket):	IEC 60332-2, VDE 0482-265-2-2, EN 50265-2-2, FT2; flame-retardant
Cable Characteristics:	Flexibility: Excellent Abrasion Resistance: Excellent Oil & Chemical Resistance: Excellent UV Resistance: Excellent Low Temp Performance: Excellent (flexible to -40°C) Flame Retardance: Good Halogen-Free: Yes Mechanical Durability: Excellent (resists impact, tear, and flex) Drag Chain Environmental Suitability: Outdoor, oily, wet, or rough environments

Technical Data Side 2

Side 2 Product Sub Family:	M23 Power
Side 2 Type of Contact/Gender:	Socket Contact / Female
Connector Design, Side 2:	M23 Female 19 Pole 90°
Attachment Type, Side 2:	Coupling Nut
Number of Pins, Side 2:	19
Insulation Resistance, Side 2:	> 10 ⁹ Ohm
Mating Cycles, Side 2:	≤ 100
Conductor Cross Section, Side 2:	16x0.5mm ² + 3x1.0 mm ²
Ambient Temperature (Operation), Side 2*:	- 25 °C to + 80 °C
Protection Degree / IP Rating, Side 2**:	IP67
Pollution Degree, Side 2:	3 acc. to DIN EN 60664-1 (VDE 0110-1)
Clearance / Creepage Distance, Side 2:	acc. to DIN EN 60664-1 (VDE 0110-1)
Overvoltage Category, Side 2:	II acc. to DIN EN 60664-1 (VDE 0110-1)
Contact Base Material, Side 2:	Brass (CuZn)
Contact Plating, Side 2:	Gold over Copper (Cu/Au)
Contact Bearer Material, Side 2:	Polyamide (Nylon), PA 6.6
Contact Bearer Color, Side 2:	Black
Flammability Class (Contact Bearer), Side 2:	UL 94-HB
Molded Body Material, Side 2:	Thermoplastic Polyurethane (TPU)
Molded Body Color, Side 2:	Black
Flammability Class (Molded Body), Side 2:	UL 94-HB
Attachment Material, Side 2:	Brass (CuZn)
Attachment Plating, Side 2:	Nickel (Ni)
O-Ring Material, Side 2:	Fluorocarbon rubber (FKM)
Note, Side 2:	Do not connect / disconnect under load.

Safety & Environmental Compliance

RoHS Compliant:	Yes
-----------------	-----

Resistances

Halogenfree:	Yes
Oil Resistance:	Yes

Notes

Protection Degree / IP Rating Note:	IP Rating tested according to IEC standard using combination of a Hirschmann or Lumberg Automation connector mounted and locked
Note Derating:	* Notice derating
Particularities:	When the connector is unlocked and in risk of pollution the connector has to be covered with a protective cap ≥ IP54.

Variants

Item #	Item Description	Cable Length
530061248	RSU 19-RKWU 19-242/2 M	2 m

530032837	RSU 19-RKWU 19-242/3 M	3 m
61221	RSU 19-RKWU 19-242/5 M	5 m
530061221	RSU 19-RKWU 19-242/5 M	5 m
530024618	RSU 19-RKWU 19-242/10 M	10 m
4519	RSU 19-RKWU 19-242/15 M	15 m

© 2026 Belden, Inc

All Rights Reserved.

Although Belden makes every reasonable effort to ensure their accuracy at the time of this publication, information and specifications described here in are subject to error or omission and to change without notice, and the listing of such information and specifications does not ensure product availability.

Belden provides the information and specifications herein on an "ASIS" basis, with no representations or warranties, whether express, statutory or implied. In no event will Belden be liable for any damages (including consequential, indirect, incidental, special, punitive, or exemplary damages) whatsoever, even if Belden has been advised of the possibility of such damages, whether in an action under contract, negligence or any other theory, arising out of or in connection with the use, or inability to use, the information or specifications described herein.

All sales of Belden products are subject to Belden's standard terms and conditions of sale.

Belden believes this product to be in compliance with all applicable environmental programs as listed in the data sheet. The information provided is correct to the best of Belden's knowledge, information and belief at the date of its publication. This information is designed only as a general guide for the safe handling, storage, and any other operation of the product itself or the one that it becomes a part of. The Product Disclosure is not to be considered a warranty or quality specification. Regulatory information is for guidance purposes only. Product users are responsible for determining the applicability of legislation and regulations based on their individual usage of the product.