



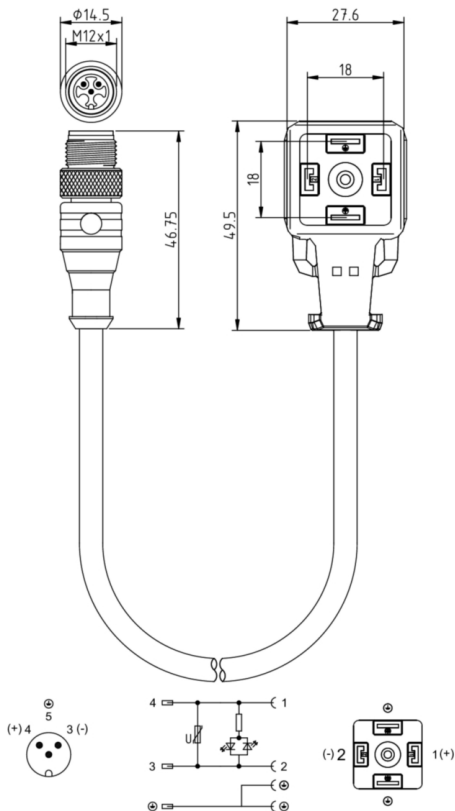
**Product:** [RST 5-3-GAN22LU-V24-212](#)

M12-Form A | M12- Male 0° | #Contacts: 3 | Form A - Female 90° | #Contacts: 2+2 PE | Varistor (MOV) & yellow LED | 24 V | Cable: Black (PVC); 0.50 mm<sup>2</sup>; IEC

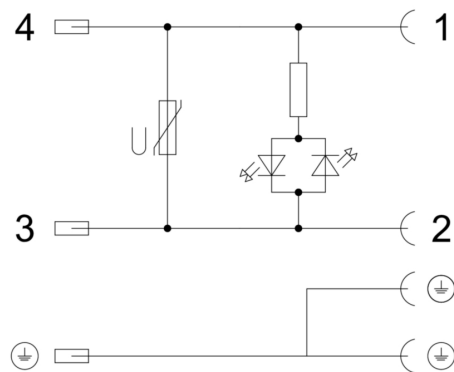
**Product Description**

M12 - Form A, Double-Ended Cordset | M12- Male Straight | #Contacts: 3, A-coded | Form A - Female Angled Cordset | #Contacts: 2+2 PE | Varistor (MOV) & yellow LED | 24 V / 4 A | Cable: Black PVC Jacket; 3x0.50 mm<sup>2</sup> (20 AWG); IEC

**Technical Drawing**



**V2 - Varistor (MOV) and LED**



**Technical Specifications**

**Face View Side 1**

Pin 3	Pin 4	Pin 5
blue	brown	green-yellow

**Face View Side 2**

Pin 1	Pin 2	PE1	PE2
brown	blue	green-yellow	green-yellow

**Product Description**

Product Family:	Valve Connectors
-----------------	------------------

Brand:	Hirschmann
Connector Type:	Cordset, double ended
Shielding Type:	Unshielded
Replacement for:	RST 5-3-VAD 1A-1-3-212
Voltage Rating:	24 V
Rated Impulse Voltage:	4.0 kV (PCBA 2.0 kV)
Operating Voltage:	24 V AC/DC
Current Rating:	4 A

## Technical Data Side 1

Side 1 Product Sub Family:	M12 Standard
Side 1 Type of Contact/Gender:	Pin Contact / Male
Connector Design:	M12   Male   3 Pole   0°
Attachment Type:	Coupling Screw
Number of Pins:	3
Coding, Side 1:	A
Side 1 Contact Resistance:	≤ 10 mOhm
Insulation Resistance:	> 10 <sup>9</sup> Ohm
Mating Cycles:	≤ 100
Cross Section:	0.50 mm <sup>2</sup>
Ambient Temperature (Operation)*:	- 40 °C - + 90 °C
Protection Degree / IP Rating**:	IP65, IP67, IP68 (1 m / 24 h), IP69K
Side 1 Design Standard:	IEC 61076-2-101
Side 1 Pollution Degree:	3 acc. to DIN EN 60664-1 (VDE 0110-1)
Clearance / Creepage Distance:	DIN EN 60664-1 (2008/01); VDE 0110-1
Overvoltage Category:	III acc. to DIN EN 60664-1 (VDE 0110-1)
Contact Base Material:	Copper Alloy (CuSn)
Side 1 Contact Plating:	Gold over Copper (Cu/Au)
Contact Bearer Material:	Thermoplastic Polyurethane (TPU)
Contact Bearer Color:	Orange
Flammability Class (Contact Bearer):	UL 94 HB
Molded Body Material:	Thermoplastic Polyurethane (TPU)
Molded Body Color:	Grey Translucent
Flammability Class (Molded Body):	UL 94 HB
Attachment Material:	Brass (CuZn)
Attachment Plating:	Nickel (Ni)
Fastening Torque (Attachment):	M 12x1: (50-60) Ncm, hand-tight

## Cable Data

Cable Number:	212
Conductor Size:	0.5 mm <sup>2</sup>
Number of Wires:	3
Minimal Bending Radius (Fixed Inst):	> 5 x D
Minimal Bending Radius (Flexible Inst):	> 10 x D
Cycles (Bending):	> 1 mio
Conductor Material:	Cu
Cable Jacket Material:	Polyvinyl Chloride (PVC)
Cable Jacket Color:	Black
Cable Diameter D:	Ø 5.0 mm [ 0.197" ]
Wire Insulation Material:	Polyvinyl Chloride (PVC)
Insulated Wire Diameter:	Ø 1.70 mm [ 0.07" ]
Ambient Temperature (Fixed Installation):	- 40 °C to + 70 °C

Ambient Temperature (Flex Installation):	+ 5 °C to + 70 °C
Flammability Class (Cable Jacket):	DIN EN 60332-1-2, VDE 0482-332-1-2, IEC 60332-1-2
Cable Characteristics:	Flexibility: Good   Abrasion Resistance: Good   Chemical Resistance: resists water, oil, acids, and alkalis  Flame Retardance: Good   Halogen-Free: No   Mechanical Durability: Good (resists impact, tear, and flex)   Environmental Suitability: Indoor, excellent balance of performance, cost, and versatility

## Technical Data Side 2

Side 2 Product Sub Family:	GAN
Side 2 Type of Contact/Gender:	Socket Contact / Female
Connector Design, Side 2:	Form A   Female   2+2PE Pole   90°
Attachment Type, Side 2:	Central Screw
Number of Pins, Side 2:	2+2 PE
Coding, Side 2:	A
Contact Resistance, Side 2:	≤ 10 mOhm
Insulation Resistance, Side 2:	> 10 <sup>9</sup> Ohm
Mating Cycles, Side 2:	≤ 50
Ambient Temperature (Operation), Side 2*:	- 25 °C - + 85 °C
Protection Degree / IP Rating, Side 2**:	IP65, IP67*
Design Standard, Side 2:	DIN EN 175301-803-A, ISO 4400
Pollution Degree, Side 2:	3 acc. to DIN EN 60664-1 (VDE 0110-1)
Clearance / Creepage Distance, Side 2:	DIN EN 60664-1 (2008/01); VDE 0110-1
Overvoltage Category, Side 2:	III acc. to DIN EN 60664-1 (VDE 0110-1)
Contact Base Material, Side 2:	Brass (CuZn)
Contact Plating, Side 2:	Copper over Tin (Cu/Sn)
Contact Bearer Material, Side 2:	Glass-filled Polyamides (PA GF)
Contact Bearer Color, Side 2:	Black
Flammability Class (Contact Bearer), Side 2:	UL 94 V-0
Molded Body Material, Side 2:	Thermoplastic Polyurethane (TPU)
Molded Body Color, Side 2:	Grey Translucent
Flammability Class (Molded Body), Side 2:	UL 94 HB
Attachment Material, Side 2:	Steel, Phillips combi slot
Gasket Material, Side 2:	Molded Integrated Gasket
Function Indicator, Side 2:	Yellow LED
Protective Circuit, Side 2:	Varistor (MOV)
Fastening Torque (Attachment), Side 2:	(50-60) Ncm
Accessories to Order Separately, Side 2:	934887001 - GAN EPDM gasket and holding clip
Note, Side 2:	1. Do not connect or disconnect under load. 2. Extended temperature range of -40°C performed by Belden in mated condition using EPDM gasket accessory.

## Approvals

VDE:	Yes
------	-----

## Safety & Environmental Compliance

RoHS Compliant:	Yes
-----------------	-----

## Resistances

Halogenfree:	Yes
Oil Resistance:	Good chemical and oil resistance

## Notes

Protection Degree / IP Rating Note:	IP Rating tested according to IEC standard using combination of a Hirschmann or Lumberg Automation connector mounted and locked
Note Derating:	Notice derating
Update and Revision:	Revision Number: 0.12 Revision Date: 07-31-2025

© 2026 Belden, Inc

All Rights Reserved.

Although Belden makes every reasonable effort to ensure their accuracy at the time of this publication, information and specifications described here in are subject to error or omission and to change without notice, and the listing of such information and specifications does not ensure product availability.

Belden provides the information and specifications herein on an "ASIS" basis, with no representations or warranties, whether express, statutory or implied. In no event will Belden be liable for any damages (including consequential, indirect, incidental, special, punitive, or exemplary damages) whatsoever, even if Belden has been advised of the possibility of such damages, whether in an action under contract, negligence or any other theory, arising out of or in connection with the use, or inability to use, the information or specifications described herein.

All sales of Belden products are subject to Belden's standard terms and conditions of sale.

Belden believes this product to be in compliance with all applicable environmental programs as listed in the data sheet. The information provided is correct to the best of Belden's knowledge, information and belief at the date of its publication. This information is designed only as a general guide for the safe handling, storage, and any other operation of the product itself or the one that it becomes a part of. The Product Disclosure is not to be considered a warranty or quality specification. Regulatory information is for guidance purposes only. Product users are responsible for determining the applicability of legislation and regulations based on their individual usage of the product.