



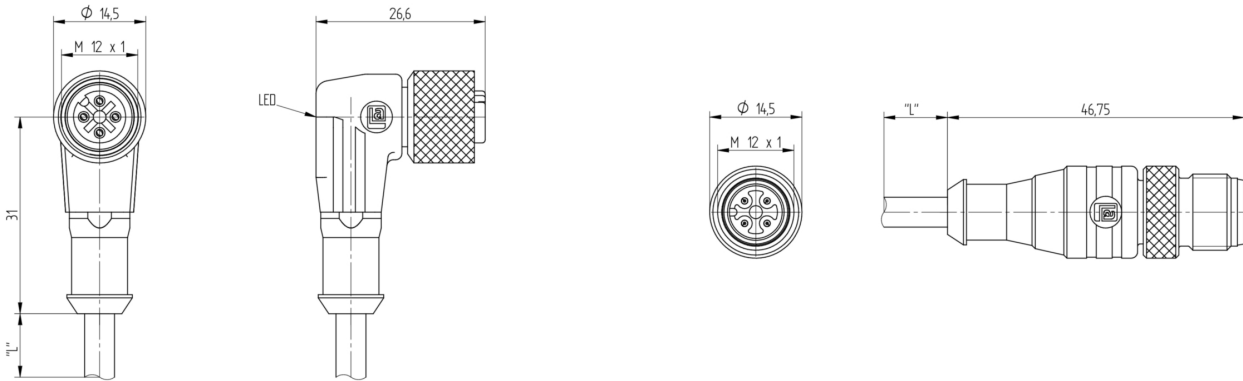
Product: [RST 4-RKWT/LED R 4-1006](#)

M12 to M12 cordset, Automotive Line, male to female, 4-pin, A-coded, straight to angled, PUR orange cable, unshielded, IP67

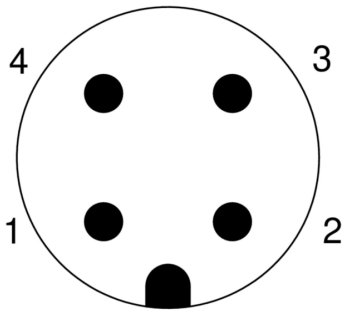
Product Description

M12 to M12 cordset connector, Automotive Line, high welding spark resistance, male to female, 4-pin, A-coded, straight to angled with LED, PUR orange cable (similar to RAL 2003), unshielded, AWM 20549, rated voltage 50 V AC / 60 V DC, rated current 4A, suited for IP67 environment

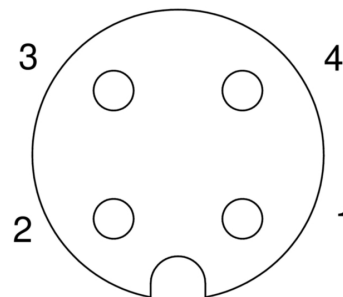
Technical Drawing

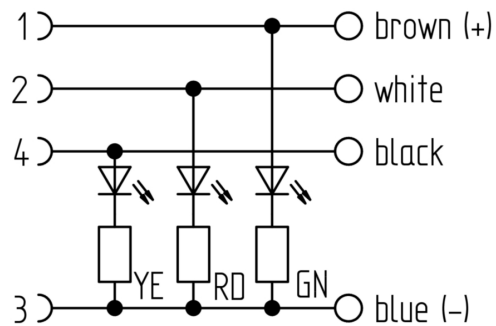


Male



Female





Technical Specifications

Face View Side 1

Pin 1	Pin 2	Pin 3	Pin 4
brown	white	blue	black

Product Description

Product Family:	Sensor / Actuator Connector
Brand:	Belden
Connector Type:	Cordset, double ended
Shielding Type:	Unshielded

Technical Data Side 1

Side 1 Product Sub Family:	Automotive
Side 1 Type of Contact/Gender:	Male
Connector Design:	Straight
Attachment Type:	Coupling Nut
Number of Pins:	4
Coding, Side 1:	A
Insulation Resistance:	> 10 ⁹ Ohm
Mating Cycles:	≤ 100
Ambient Temperature (Operation)*:	- 40 °C - + 90 °C
Protection Degree / IP Rating**:	IP67
Side 1 Design Standard:	IEC 61076-2-101
Contact Base Material:	CuSn
Side 1 Contact Plating:	Cu/Au
Flammability Class (Contact Bearer):	UL 94 HB
Molded Body Material:	TPU
Flammability Class (Molded Body):	UL 94 HB
Attachment Material:	CuZn
Fastening Torque (Attachment):	M 12x1: (50-60) Ncm, hand-tight

Cable Data

Cable Number:	1006
Conductor Size:	0.34 mm ²
Number of Wires:	4
Minimal Bending Radius (Fixed Inst):	5 x D
Minimal Bending Radius (Flexible Inst):	10 x D
Cycles (Bending):	2 Mio.
Welding Resistance:	Welding spark resistant
Conductor Material:	Cu
Cable Jacket Material:	PUR
Cable Jacket Color:	orange (similar to RAL 2003)

Cable Diameter D:	ø 5.30 ± 0.15 mm
Wire Insulation Material:	PP
Insulated Wire Diameter:	ø 1.25 ±0.05 mm
Ambient Temperature (Fixed Installation):	- 50 °C - + 90 °C (UL: + 80 °C)
Ambient Temperature (Flex Installation):	- 25 °C - + 90 °C (UL: + 80 °C)
Ambient Temperature (Drag Chain Inst):	- 25 °C - + 60 °C
UL Cable Type:	AWM: 20549
Flammability Class (Cable Jacket):	DIN EN 60332-2-2, VDE 0482-332-2-2, IEC 60332-2-2, CSA FT2
Cable Characteristics:	flame retardant, halogen-free, drag chains

Technical Data Side 2

Side 2 Product Sub Family:	Automotive
Side 2 Type of Contact/Gender:	Female
Connector Design, Side 2:	Angled
Coding, Side 2:	A
Attachment Material, Side 2:	CuZn

Approvals

UL:	cULus
-----	-------

Safety & Environmental Compliance

RoHS Compliant:	Yes
-----------------	-----

Resistances

Halogenfree:	Yes, acc. to IEC 60754-1
--------------	--------------------------

Notes

Note Derating:	Notice derating
----------------	-----------------

© 2026 Belden, Inc

All Rights Reserved.

Although Belden makes every reasonable effort to ensure their accuracy at the time of this publication, information and specifications described here in are subject to error or omission and to change without notice, and the listing of such information and specifications does not ensure product availability.

Belden provides the information and specifications herein on an "ASIS" basis, with no representations or warranties, whether express, statutory or implied. In no event will Belden be liable for any damages (including consequential, indirect, incidental, special, punitive, or exemplary damages) whatsoever, even if Belden has been advised of the possibility of such damages, whether in an action under contract, negligence or any other theory, arising out of or in connection with the use, or inability to use, the information or specifications described herein.

All sales of Belden products are subject to Belden's standard terms and conditions of sale.

Belden believes this product to be in compliance with all applicable environmental programs as listed in the data sheet. The information provided is correct to the best of Belden's knowledge, information and belief at the date of its publication. This information is designed only as a general guide for the safe handling, storage, and any other operation of the product itself or the one that it becomes a part of. The Product Disclosure is not to be considered a warranty or quality specification. Regulatory information is for guidance purposes only. Product users are responsible for determining the applicability of legislation and regulations based on their individual usage of the product.