



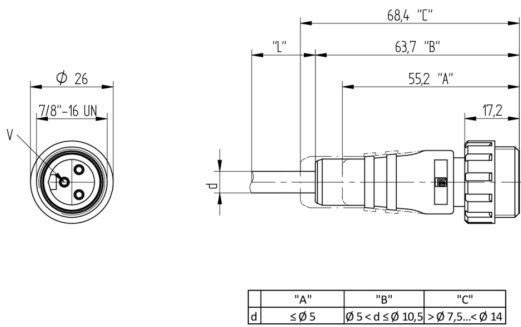
Product: [RS 30-01](#)

7/8 - Male 0° | #Contacts: 3 | 250 V | Cable: Orange (PVC); 0.75mm²; IEC"

Product Description

Single-Ended Cordset | 7/8- Male Straight | #Contacts: 3 | 250 V / 12 A | Cable: PVC Orange; 3x0.75mm²; IEC"

Technical Drawing



Male Faceview



1 = BN
 ⊕ = GN/YE
 3 = BL

Technical Specifications

Face View

Pin 1	Pin 2	Pin 3
brown	green-yellow	blue

Technical Data

Product Family:	Power Connector
Side 1 Product Sub Family:	MINI 7/8"
Brand:	Lumberg Automation
Connector Type:	Cordset, single ended
Side 1 Type of Contact/Gender:	Pin Contact / Male
Connector Design:	Molded 7/8" Male Straight
Number of Pins:	3

Coding, Side 1:	A
Shielding Type:	Unshielded
Attachment Type:	Male Thread, Coupling Screw
Voltage Rating:	250 V
Operating Voltage:	230 V AC/DC
Current Rating:	12 A
Side 1 Contact Resistance:	≤ 10 mOhm
Insulation Resistance:	> 10 ⁹ Ohm
Mating Cycles:	≤ 100
Ambient Temperature (Operation)*:	- 40 °C to + 90°C
Protection Degree / IP Rating**:	IP65, IP67
Side 1 Pollution Degree:	3 acc. to DIN EN 60664-1 (VDE 0110-1)

Materials

Contact Base Material:	Copper Alloy (CuZn)
Side 1 Contact Plating:	Copper-Silver-Gold-Alloy (Cu/Ag/Au)
Contact Bearer Material:	Thermoplastic polyurethane (TPU)
Contact Bearer Color:	Orange
Flammability Class (Contact Bearer):	UL 94 HB
Molded Body Material:	Thermoplastic polyurethane (TPU)
Molded Body Color:	Orange
Flammability Class (Molded Body):	UL 94 HB
Attachment Material:	Polyamide (PA)

Additional Technical Data

Fastening Torque (Attachment):	MINI: 70 Ncm, hand-tight
--------------------------------	--------------------------

Cable Data

Cable Number:	01
Conductor Size:	0.75 mm ²
Number of Wires:	3
Minimal Bending Radius (Fixed Inst):	> 5 x D
Minimal Bending Radius (Flexible Inst):	> 10 x D
Cycles (Bending):	> 1 mio
Conductor Material:	Cu
Cable Jacket Material:	Polyvinyl Chloride (PVC)
Cable Jacket Color:	Orange
Cable Diameter D:	Ø 7.20 mm (.283")
Wire Insulation Material:	Polyvinyl Chloride (PVC)
Insulated Wire Diameter:	Ø 2.40 mm (0.094")
Overall Shield (Cable):	Unshielded
Ambient Temperature (Fixed Installation):	- 40 °C to +90 °C
Ambient Temperature (Flex Installation):	+ 5 °C to +90 °C
UL Cable Type:	AWM: 2654
Flammability Class (Cable Jacket):	DIN EN 60332-1-2, VDE 0482-332-1-2, IEC 60332-1-2, UL VW-1; flame-retardant and self-extinguishing
Cable Characteristics:	Flexibility: Good Abrasion Resistance: Good Chemical Resistance: resists water, oil, acids, and alkalis Flame Retardance: Good Halogen-Free: No Mechanical Durability: Good (resists impact, tear, and flex) Environmental Suitability: Indoor, excellent balance of performance, cost, and versatility

Safety & Environmental Compliance

RoHS Compliant:	Yes
-----------------	-----

Resistances

Halogenfree:	No
--------------	----

Notes

Note Derating:	* Notice derating
Protection Degree / IP Rating Note:	IP Rating tested according to IEC standard using combination of a Hirschmann or Lumberg Automation connector mounted and locked

© 2026 Belden, Inc

All Rights Reserved.

Although Belden makes every reasonable effort to ensure their accuracy at the time of this publication, information and specifications described here in are subject to error or omission and to change without notice, and the listing of such information and specifications does not ensure product availability.

Belden provides the information and specifications herein on an "ASIS" basis, with no representations or warranties, whether express, statutory or implied. In no event will Belden be liable for any damages (including consequential, indirect, incidental, special, punitive, or exemplary damages) whatsoever, even if Belden has been advised of the possibility of such damages, whether in an action under contract, negligence or any other theory, arising out of or in connection with the use, or inability to use, the information or specifications described herein.

All sales of Belden products are subject to Belden's standard terms and conditions of sale.

Belden believes this product to be in compliance with all applicable environmental programs as listed in the data sheet. The information provided is correct to the best of Belden's knowledge, information and belief at the date of its publication. This information is designed only as a general guide for the safe handling, storage, and any other operation of the product itself or the one that it becomes a part of. The Product Disclosure is not to be considered a warranty or quality specification. Regulatory information is for guidance purposes only. Product users are responsible for determining the applicability of legislation and regulations based on their individual usage of the product.