



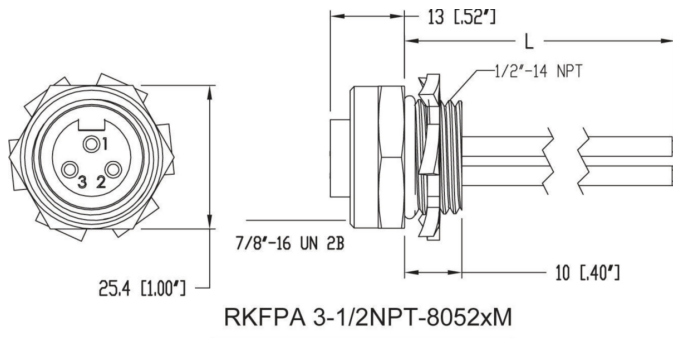
**Product:** [RKFPA 3-1/2NPT-802](#)

Mini Power Receptacle Connector: 7/8", female, front mount, 3-pin(2+PE), silver housing, 600 V, 18 A, 14 AWG

### Product Description

Mini Power Receptacle Connector: 7/8", female, front mount, 3-pin(2+PE), silver housing, 600 V, 18 A, 14 AWG

### Technical Drawing



### Technical Specifications

#### Technical Data

Product Family:	Power Connector
Product Sub Family:	Mini Power 7/8"
Brand:	Lumberg Automation
Connector Type:	Receptacle
Type of Contact / Gender:	female
Connector Design:	straight
Number of Pins:	3(2+PE)
Shielding:	Unshielded
Rated Voltage (UL):	600 V
Rated Current (UL)*:	18 A
Mating Cycles:	≤ 100
Ambient Temperature (Operation)*:	-40°C to +90°C
Protection Degree / IP Rating**:	IP65, IP67

#### Materials

Contact Base Material:	Cu Alloy
Contact Plating:	Au
Contact Bearer Material:	PVC
Contact Bearer Color:	black
Housing Material:	Brass
Housing Plating:	Ni
Housing Color:	Silver

#### Cable Data

Conductor Size:	14 AWG
Number of Wires:	3
Conductor material:	Cu
Wire Insulation Material:	PVC
Insulated Wire Diameter:	ø 0.132 in
Ambient Temperature (Fixed Installation):	-40 °C to +90 °C

## Approvals

UL-File:	UL: E482233
UL:	UL 2237
CSA:	C-UL LISTED: E482233

## Safety & Environmental Compliance

RoHS Compliant:	yes
-----------------	-----

## Notes

Protection Degree / IP Rating Note:	** only if mounted and locked in combination with Hirschmann / Lumberg Automation connector.
-------------------------------------	--

## Variants

Item #	Item Description	Cable Length
511000781	RKFPA 3-1/2NPT-802/0.5M	0.5 m
511000782	RKFPA 3-1/2NPT-802/1M	1 m
511000783	RKFPA 3-1/2NPT-802/3M	3 m

© 2024 Belden, Inc

All Rights Reserved.

Although Belden makes every reasonable effort to ensure their accuracy at the time of this publication, information and specifications described here in are subject to error or omission and to change without notice, and the listing of such information and specifications does not ensure product availability.

Belden provides the information and specifications herein on an "ASIS" basis, with no representations or warranties, whether express, statutory or implied. In no event will Belden be liable for any damages (including consequential, indirect, incidental, special, punitive, or exemplary damages) whatsoever, even if Belden has been advised of the possibility of such damages, whether in an action under contract, negligence or any other theory, arising out of or in connection with the use, or inability to use, the information or specifications described herein.

All sales of Belden products are subject to Belden's standard terms and conditions of sale.

Belden believes this product to be in compliance with all applicable environmental programs as listed in the data sheet. The information provided is correct to the best of Belden's knowledge, information and belief at the date of its publication. This information is designed only as a general guide for the safe handling, storage, and any other operation of the product itself or the one that it becomes a part of. The Product Disclosure is not to be considered a warranty or quality specification. Regulatory information is for guidance purposes only. Product users are responsible for determining the applicability of legislation and regulations based on their individual usage of the product.