

Product: [MPS-TU-RST 5K-2RKT 5K](#) 

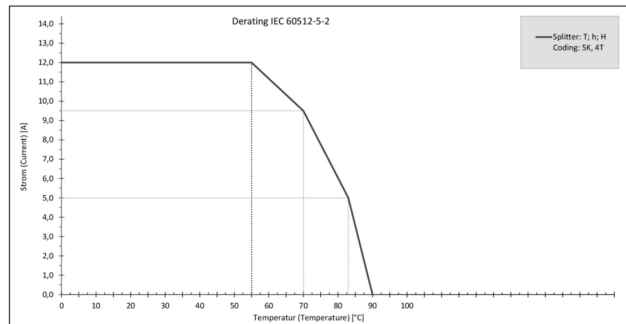
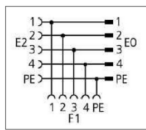


M12 Power T-splitter: input: male, 4+PE, K-coded; output: 1-2, female, 4+PE, K-coded

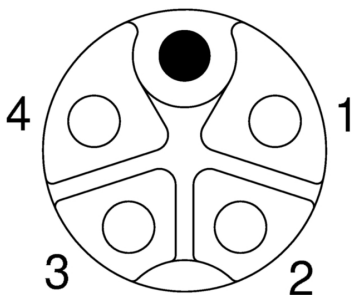
Product Description

M12 Power T-splitter: male, straight, 4+PE, K-coded, M12, female, straight, 4+PE, K-coded, M12, female, straight, 4+PE, K-coded

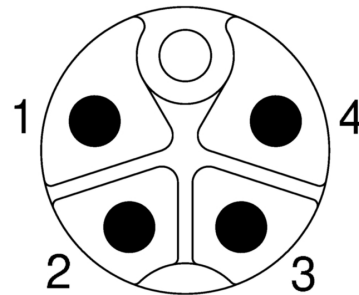
Technical Drawing

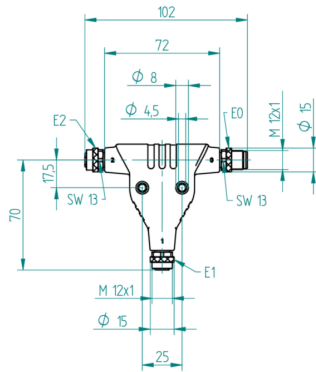


Female
PE



Male
PE





Technical Specifications

Product Description

| | |
|---------------------|--------------------|
| Product Family: | Power Connector |
| Brand: | Lumberg Automation |
| Connector Type: | Molded Splitter |
| Rated Voltage: | 630 VAC |
| Rated Voltage (UL): | 500 VAC |
| Rated Current*: | 12 A |

Technical Data Side 1

| | |
|-----------------------------------|---------------------------------------|
| Product Sub Family: | M12 Power |
| Type of Contact / Gender: | male, M12 |
| Connector Design: | T shape |
| Attachment Type: | Coupling Nut |
| Number of Pins: | 4+PE |
| Coding: | K |
| Insulation Resistance: | $\geq 10^8$ Ohm |
| Mating Cycles: | 100 |
| Ambient Temperature (Operation)*: | -30°C to +90°C, notice derating |
| Design Standard: | IEC 61076-2-111 |
| Pollution Degree: | 3 acc. to DIN EN 60664-1 (VDE 0110-1) |
| Contact Base Material: | CuZn |
| Contact Plating: | Cu/Au |
| Contact Bearer Material: | PA |
| Contact Bearer Color: | black |
| Molded Body Material: | TPU |
| Molded Body Color: | black |
| Attachment Material: | CuZn |
| Attachment Plating: | Cu/Ni |
| O-Ring Material: | FPM/FKM |

Cable Data

| | |
|---|----------------|
| Ambient Temperature (Fixed Installation): | -30°C to +90°C |
|---|----------------|

Technical Data Side 2

| | |
|-----------------------------------|-------------|
| Product Sub Family, Side 2: | M12 Power |
| Type of Contact / Gender, Side 2: | female, M12 |
| Number of Pins, Side 2: | 4+PE |
| Coding, Side 2: | K |
| Contact Base Material, Side 2: | CuZn |
| Contact Plating, Side 2: | Cu/Au |

| | |
|----------------------------------|-------|
| Contact Bearer Material, Side 2: | PA |
| Contact Bearer Color, Side 2: | black |
| Attachment Material, Side 2: | CuZn |

Technical Data Side 3

| | |
|--|------------------|
| Attachment Material, Side 3: | CuZn |
| Coding, Side 3: | K |
| Contact Base Material, Side 3: | CuZn |
| Contact Bearer Color, Side 3: | black |
| Contact Bearer Material, Side 3: | PA |
| Contact Plating, Side 3: | Cu/Au |
| Number of Pins, Side 3: | 4+PE |
| Protection Degree / IP Rating (IEC 60529), Side 3: | IP65, IP67, IP68 |
| Rated Current*, Side 3: | 12 A |
| Rated Voltage, Side 3: | 630 VAC |
| Rated Voltage (UL), Side 3: | 500 VAC |
| Type of Contact / Gender, Side 3: | female, M12 |

Technical Data Side 4

| | |
|--|------------------|
| Product Sub Family, Side 4: | M12 Power |
| Protection Degree / IP Rating (IEC 60529), Side 4: | IP65, IP67, IP68 |
| Rated Current*, Side 4: | 12 A |

Approvals

| | |
|----------|---------|
| UL-File: | E497237 |
| UL: | cULus |

Safety & Environmental Compliance

| | |
|-----------------|-----|
| RoHS Compliant: | yes |
|-----------------|-----|

Notes

| | |
|-------------------------------------|--|
| Protection Degree / IP Rating Note: | ** only if mounted and locked in combination with Hirschmann / Lumberg Automation connector. |
| Note Derating: | * Notice derating |

Variants

| Item # | Item Description |
|-----------|-----------------------|
| 935065001 | MPS-TU-RST 5K-2RKT 5K |

© 2023 Belden, Inc

All Rights Reserved.

Although Belden makes every reasonable effort to ensure their accuracy at the time of this publication, information and specifications described here in are subject to error or omission and to change without notice, and the listing of such information and specifications does not ensure product availability.

Belden provides the information and specifications herein on an "ASIS" basis, with no representations or warranties, whether express, statutory or implied. In no event will Belden be liable for any damages (including consequential, indirect, incidental, special, punitive, or exemplary damages) whatsoever, even if Belden has been advised of the possibility of such damages, whether in an action under contract, negligence or any other theory, arising out of or in connection with the use, or inability to use, the information or specifications described herein.

All sales of Belden products are subject to Belden's standard terms and conditions of sale.

Belden believes this product to be in compliance with all applicable environmental programs as listed in the data sheet. The information provided is correct to the best of Belden's knowledge, information and belief at the date of its publication. This information is designed only as a general guide for the safe handling, storage, and any other operation of the product itself or the one that it becomes a part of. The Product Disclosure is not to be considered a warranty or quality specification. Regulatory information is for guidance purposes only. Product users are responsible for determining the applicability of legislation and regulations based on their individual usage of the product.