

Product: [MPS-TU-RST 4S-2RKT 4S](#) 

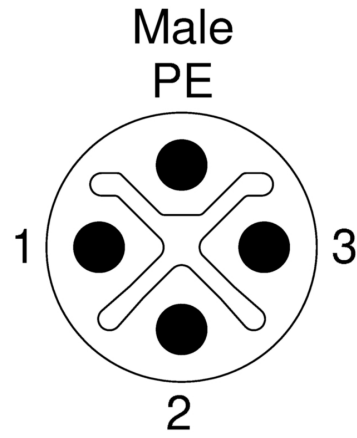
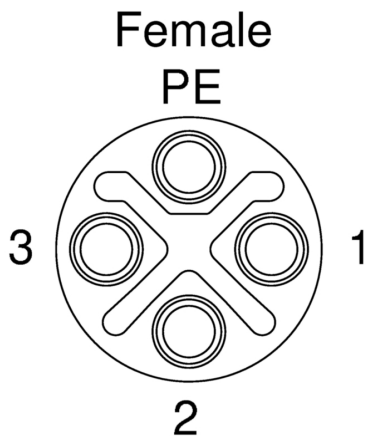
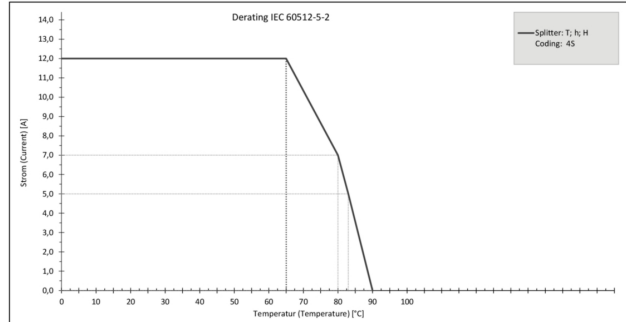
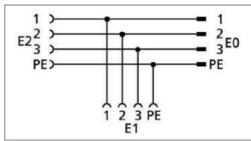


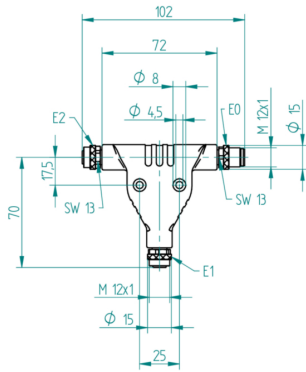
M12 Power T-splitter: input: male, 3+PE, S-coded; output: 1-2, female, 3+PE, S-coded

Product Description

M12 Power T-splitter: male, straight, 3+PE, S-coded, M12, female, straight, 3+PE, S-coded, M12, female, straight, 3+PE, S-coded

Technical Drawing





Technical Specifications

Product Description

Product Family:	Power Connector
Brand:	Lumberg Automation
Connector Type:	Molded Splitter
Rated Voltage:	630 VAC
Rated Voltage (UL):	600 VAC
Rated Current*:	12 A

Technical Data Side 1

Product Sub Family:	M12 Power
Type of Contact / Gender:	male, M12
Connector Design:	T shape
Attachment Type:	Coupling Nut
Number of Pins:	3+PE
Coding:	S
Insulation Resistance:	$\geq 10^8$ Ohm
Mating Cycles:	≥ 100
Ambient Temperature (Operation)*:	-30°C to +90°C, notice derating
Design Standard:	IEC 61076-2-111
Pollution Degree:	3 acc. to DIN EN 60664-1 (VDE 0110-1)
Contact Base Material:	CuZn
Contact Plating:	Cu/Au
Contact Bearer Material:	PA
Contact Bearer Color:	black
Molded Body Material:	TPU
Molded Body Color:	black
Attachment Material:	CuZn
Attachment Plating:	Cu/Ni
O-Ring Material:	FPM/FKM

Cable Data

Ambient Temperature (Fixed Installation):	-30°C to +90°C
---	----------------

Technical Data Side 2

Product Sub Family, Side 2:	M12 Power
Type of Contact / Gender, Side 2:	female, M12
Number of Pins, Side 2:	3+PE
Coding, Side 2:	S
Contact Base Material, Side 2:	CuZn
Contact Plating, Side 2:	Cu/Au

Contact Bearer Material, Side 2:	PA
Contact Bearer Color, Side 2:	black
Attachment Material, Side 2:	CuZn

Technical Data Side 3

Attachment Material, Side 3:	CuZn
Coding, Side 3:	S
Contact Base Material, Side 3:	CuZn
Contact Bearer Color, Side 3:	black
Contact Bearer Material, Side 3:	PA
Contact Plating, Side 3:	Cu/Au
Number of Pins, Side 3:	3+PE
Protection Degree / IP Rating (IEC 60529), Side 3:	IP65, IP67, IP68
Rated Current*, Side 3:	12 A
Rated Voltage, Side 3:	630 VAC
Rated Voltage (UL), Side 3:	600 VAC
Type of Contact / Gender, Side 3:	female, M12

Technical Data Side 4

Product Sub Family, Side 4:	M12 Power
Protection Degree / IP Rating (IEC 60529), Side 4:	IP65, IP67, IP68
Rated Current*, Side 4:	12 A

Approvals

UL-File:	E497237
UL:	cULus

Safety & Environmental Compliance

RoHS Compliant:	yes
-----------------	-----

Notes

Protection Degree / IP Rating Note:	** only if mounted and locked in combination with Hirschmann / Lumberg Automation connector.
Note Derating:	* Notice derating

Variants

Item #	Item Description
26626	MPS-TU-RST 4S-2RKT 4S

© 2023 Belden, Inc

All Rights Reserved.

Although Belden makes every reasonable effort to ensure their accuracy at the time of this publication, information and specifications described here in are subject to error or omission and to change without notice, and the listing of such information and specifications does not ensure product availability.

Belden provides the information and specifications herein on an "ASIS" basis, with no representations or warranties, whether express, statutory or implied. In no event will Belden be liable for any damages (including consequential, indirect, incidental, special, punitive, or exemplary damages) whatsoever, even if Belden has been advised of the possibility of such damages, whether in an action under contract, negligence or any other theory, arising out of or in connection with the use, or inability to use, the information or specifications described herein.

All sales of Belden products are subject to Belden's standard terms and conditions of sale.

Belden believes this product to be in compliance with all applicable environmental programs as listed in the data sheet. The information provided is correct to the best of Belden's knowledge, information and belief at the date of its publication. This information is designed only as a general guide for the safe handling, storage, and any other operation of the product itself or the one that it becomes a part of. The Product Disclosure is not to be considered a warranty or quality specification. Regulatory information is for guidance purposes only. Product users are responsible for determining the applicability of legislation and regulations based on their individual usage of the product.