



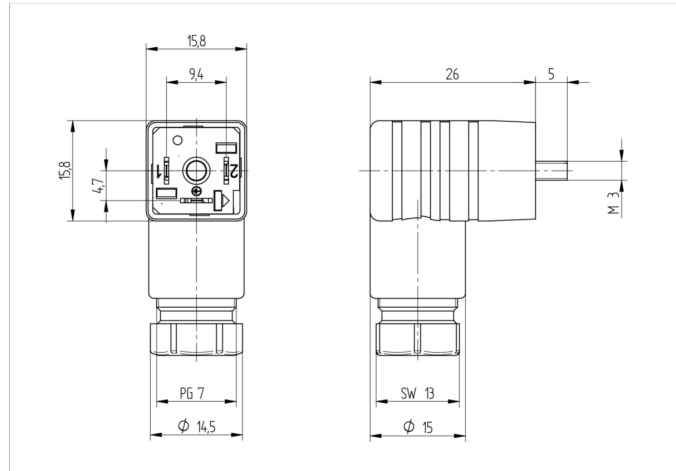
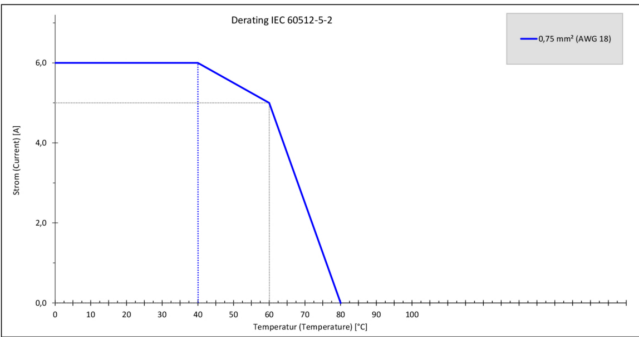
Product: [GDSL 207 LED 24 VR YE black](#)

GM Industrial Standard Field Attachable Connector: Form C, 3-pin (2+1PE; PE across cable outlet), translucent housing, screw type, PG7; with varistor and yellow LED, 24 V AC/DC, 6 A

Product Description

GM Industrial Standard Field Attachable Connector: Form C, 3-pin (2+1PE; PE across cable outlet), translucent housing, screw type, PG7; with varistor and yellow LED, 24 V AC/DC, 6 A

Technical Drawing



Montageanleitung
Feldanfertiger
GD5N (3) Steckverbinder

GD5N ...

IP 65
Kabelführung:
Kabelführer Ø 4.5 - Ø 6.0 mm
Längeneingabe: 0.34 mm (±0.05 mm)

Achtung!
Nicht an Last (unter/überlastet)!

Wir weisen darauf hin, dass die Nennstrombelastung nicht für einen Dauereinsatz oder Überlastung geeignet ist. Die Nennstrombelastung ist nur für einen zeitweiligen Einsatz geeignet. Bei Dauereinsatz oder Überlastung kann es zu einer Überhitzung und damit zu einer Beschädigung des Steckverbinders kommen. Bei Überlastung kann es zu einer Überhitzung und damit zu einer Beschädigung des Steckverbinders kommen. Bei Überlastung kann es zu einer Überhitzung und damit zu einer Beschädigung des Steckverbinders kommen.

Sicherheitsrelevante Hinweise

Dieses Produkt ist ein elektrisches Bauelement, das für den Einsatz in industriellen Umgebungen vorgesehen ist. Die Verwendung dieses Produkts in anderen Umgebungen kann zu Schäden führen. Bitte lesen Sie die Bedienungsanleitung sorgfältig durch.

Wichtig: Dieses Produkt ist ein elektrisches Bauelement, das für den Einsatz in industriellen Umgebungen vorgesehen ist. Die Verwendung dieses Produkts in anderen Umgebungen kann zu Schäden führen. Bitte lesen Sie die Bedienungsanleitung sorgfältig durch.

Wichtig: Dieses Produkt ist ein elektrisches Bauelement, das für den Einsatz in industriellen Umgebungen vorgesehen ist. Die Verwendung dieses Produkts in anderen Umgebungen kann zu Schäden führen. Bitte lesen Sie die Bedienungsanleitung sorgfältig durch.

Assembly Instructions
Field attachable (GD5N) Connector

GD5N ...

IP 65
Cable qualification:
Cable diameter Ø 4.5 - Ø 6.0 mm
Conductor size Ø 0.5 mm² - Ø 1.5 mm²

CAUTION!
Not for current interrupting!

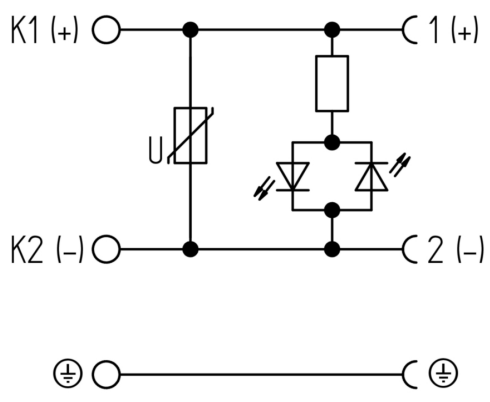
We advise you to use this product in industrial environments only. The use of this product in other environments may lead to damage. Please read the operating instructions carefully.

Safety Instructions

This product is an electrical component intended for use in industrial environments. The use of this product in other environments may lead to damage. Please read the operating instructions carefully.

Warning: This product is an electrical component intended for use in industrial environments. The use of this product in other environments may lead to damage. Please read the operating instructions carefully.

Warning: This product is an electrical component intended for use in industrial environments. The use of this product in other environments may lead to damage. Please read the operating instructions carefully.



Technical Specifications

Technical Data

Product Family:	Valve Connectors
Product Sub Family:	GDSL Industrial Standard
Brand:	Hirschmann
Connector Type:	Field attachable
Type of Contact / Gender:	Female

Connector Design:	Angled
Number of Pins:	2+PE (PE across cable outlet)
Coding:	C
Shielding:	Unshielded
Attachment Type:	Central Screw
Rated Voltage:	30 V AC/DC
Rated Impulse Voltage:	4.0 kV
Operating Voltage:	24 V AC/DC
Rated Current*:	6 A
Contact Resistance:	≤ 10 mOhm
Insulation Resistance:	> 10 ⁹ Ohm
Mating Cycles:	≤ 50
Type of Connection:	Screw
Cable Gland:	PG7
Conductor Cross Section:	0.25 - 0.75 mm ²
Suitable Cables:	Ø 4.5 - 6 mm
Ambient Temperature (Operation)*:	-25°C to +80°C
Protection Degree / IP Rating**:	IP65
Pollution Degree:	3 acc. to DIN EN 60664-1 (VDE 0110-1)
Clearance / Creepage Distance:	DIN EN 60664-1 (2008/01); VDE 0110-1
Overvoltage Category:	III acc. to DIN EN 60664-1 (VDE 0110-1)

Materials

Contact Base Material:	CuZn
Contact Plating:	Cu/Sn
Contact Bearer Material:	PA GF
Contact Bearer Color:	black
Flammability Class (Contact Bearer):	UL 94 V-2
Housing Material:	PA GF
Housing Color:	Translucent
Flammability Class (Housing):	UL 94 HB
Cable Gland Material:	PA GF
Cable Gland Gasket:	NBR
Cable Gland Color:	back
Flammability Class (Cable Gland):	UL 94 HB
Attachment Material:	Steel, Philips combi slot

Protection Circuitry

Function Indicator:	Yellow LED
Protective Circuit:	Varistor

Additional Technical Data

Fastening Torque (Contact Screw):	(25-30) Ncm
Fastening Torque (Cable Gland):	(150-200) Ncm
Fastening Torque (Attachment):	(40-50) Ncm

Approvals

VDE:	yes
SEV:	yes

Safety & Environmental Compliance

RoHS Compliant:	yes
-----------------	-----

Notes

Note Derating:	Notice derating
Protection Degree / IP Rating Note:	** only if mounted and locked in combination with Hirschmann / Lumberg Automation connector.
Note:	Do not connect or disconnect under load.

Variants

Item #	Item Description
935013412	GDLSL 207 LED 24 VR YE black

© 2025 Belden, Inc

All Rights Reserved.

Although Belden makes every reasonable effort to ensure their accuracy at the time of this publication, information and specifications described here in are subject to error or omission and to change without notice, and the listing of such information and specifications does not ensure product availability.

Belden provides the information and specifications herein on an "ASIS" basis, with no representations or warranties, whether express, statutory or implied. In no event will Belden be liable for any damages (including consequential, indirect, incidental, special, punitive, or exemplary damages) whatsoever, even if Belden has been advised of the possibility of such damages, whether in an action under contract, negligence or any other theory, arising out of or in connection with the use, or inability to use, the information or specifications described herein.

All sales of Belden products are subject to Belden's standard terms and conditions of sale.

Belden believes this product to be in compliance with all applicable environmental programs as listed in the data sheet. The information provided is correct to the best of Belden's knowledge, information and belief at the date of its publication. This information is designed only as a general guide for the safe handling, storage, and any other operation of the product itself or the one that it becomes a part of. The Product Disclosure is not to be considered a warranty or quality specification. Regulatory information is for guidance purposes only. Product users are responsible for determining the applicability of legislation and regulations based on their individual usage of the product.