

**Product:** [GDME 2020 V0 black](#)

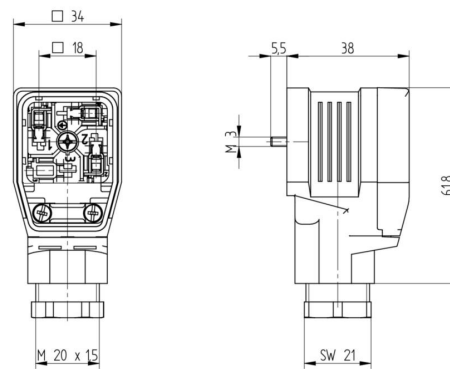
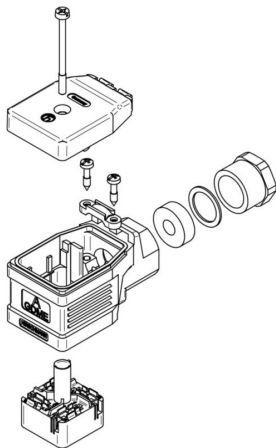
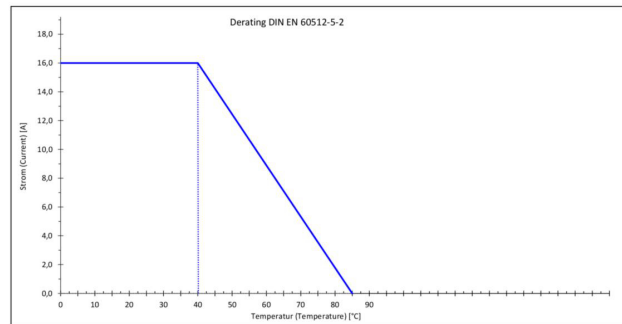
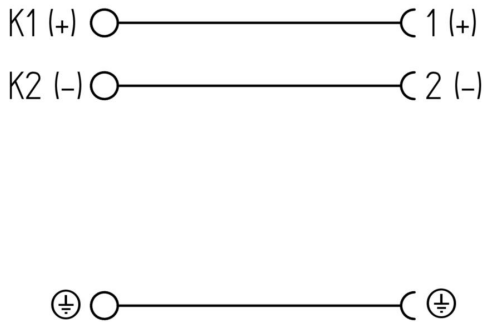


Heavy Duty: DIN Valve Connector, Form A, Field Attachable, 2+Ground, M20x1.5, Black Housing, without circuitry, 230 V DC / 400 V AC AC/DC, UL 2238, DNV Maritime

**Product Description**

GDME Heavy Duty DIN Standard Field Attachable Connector: Form A, 3-pin (2+1PE), black housing and with black lid, screw type, M20x1; without circuitry, 230 V DC / 400 V AC AC/DC, 16 A

**Technical Drawing**



**Technical Specifications**

**Technical Data**

Product Family:	Valve Connector
Product Sub Family:	GDME Heavy Duty
Brand:	Hirschmann
Connector Type:	Field Attachable
Type of Contact / Gender:	Female

Connector Design:	Angled
Number of Pins:	2+PE
Coding:	A
Shielding:	Unshielded
Attachment Type:	Central Screw
Rated Voltage (UL):	300 V without optional inserts
Rated Impulse Voltage:	4.0 kV
Operating Voltage:	230 V DC / 400 V AC without optional inserts
Rated Current*:	16 A
Rated Current (UL)*:	10 A
Contact Resistance:	≤ 10 mOhm
Insulation Resistance:	> 10 <sup>9</sup> Ohm
Mating Cycles:	≤ 50
Type of Connection:	Screw
Cable Gland:	M20 x 1.5
Conductor Cross Section:	0.50 - 1.5 mm <sup>2</sup> [ 20 AWG - 16 AWG ]
Strain-Relief:	Bracket
Suitable Cables:	Ø 7 - 13 mm
Ambient Temperature (Operation)*:	-40°C to +85°C
Protection Degree / IP Rating**:	IP65, mated
Design Standard:	DIN EN 175301-803-A, ISO 4400
Pollution Degree:	3 acc. to DIN EN 60664-1 (VDE 0110-1)
Clearance / Creepage Distance:	DIN EN 60664-1 (2008/01); VDE 0110-1
Overvoltage Category:	III acc. to DIN EN 60664-1 (VDE 0110-1)

## Materials

Contact Base Material:	CuZn
Contact Plating:	Cu/Sn
Contact Bearer Material:	PA 66 GF
Contact Bearer Color:	Black
Flammability Class (Contact Bearer):	UL 94 V-0
Housing Material:	PA 66 GF
Housing Color:	Black
Flammability Class (Housing):	UL 94 V-0
Cable Gland Material:	PA 66 GF
Cable Gland Gasket:	NBR
Cable Gland Color:	Black
Strain-Relief Material:	PA 6 GF
Attachment Material:	Central Screw, M3 x 40, 4.8 , Fe/Zn B
Cover Material:	PA 66 GF, Black
Flammability Class (Cover):	UL 94 V-0
Gasket Material:	Sold Separately

## Additional Technical Data

Fastening Torque (Contact Screw):	M3: (30-35) Ncm
Fastening Torque (Cable Gland):	(250-375) Ncm
Fastening torque (strain relief screw):	(50-60) Ncm
Fastening Torque (Attachment):	M3 (50-60) Ncm

## Approvals

UL-File:	UL 2238, E315587
VDE:	Yes [VDE-Reg.-Nr.: 1978]
DNV:	YES, TAA000032V

## Safety & Environmental Compliance

RoHS Compliant:	Yes
-----------------	-----

## Notes

Note Derating:	Notice Derating
Protection Degree / IP Rating Note:	IP Rating tested according to IEC standard using combination of a Hirschmann or Lumberg Automation connector mounted and locked
Note:	Do not connect or disconnect under load.

## Variants

Item #	Item Description	Central Screw	Gasket	Packaging
934455200	GDME 2020 V0 black	1- Steel Screw, Combi Head	0 - Sold Separately	D - Collect packaging 50 pieces, assembled

© 2024 Belden, Inc

All Rights Reserved.

Although Belden makes every reasonable effort to ensure their accuracy at the time of this publication, information and specifications described here in are subject to error or omission and to change without notice, and the listing of such information and specifications does not ensure product availability.

Belden provides the information and specifications herein on an "ASIS" basis, with no representations or warranties, whether express, statutory or implied. In no event will Belden be liable for any damages (including consequential, indirect, incidental, special, punitive, or exemplary damages) whatsoever, even if Belden has been advised of the possibility of such damages, whether in an action under contract, negligence or any other theory, arising out of or in connection with the use, or inability to use, the information or specifications described herein.

All sales of Belden products are subject to Belden's standard terms and conditions of sale.

Belden believes this product to be in compliance with all applicable environmental programs as listed in the data sheet. The information provided is correct to the best of Belden's knowledge, information and belief at the date of its publication. This information is designed only as a general guide for the safe handling, storage, and any other operation of the product itself or the one that it becomes a part of. The Product Disclosure is not to be considered a warranty or quality specification. Regulatory information is for guidance purposes only. Product users are responsible for determining the applicability of legislation and regulations based on their individual usage of the product.