

Product: [GDM21FB-V48-10D](#)

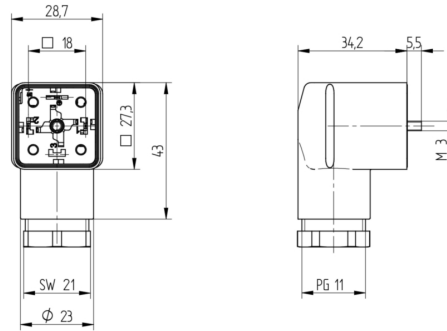
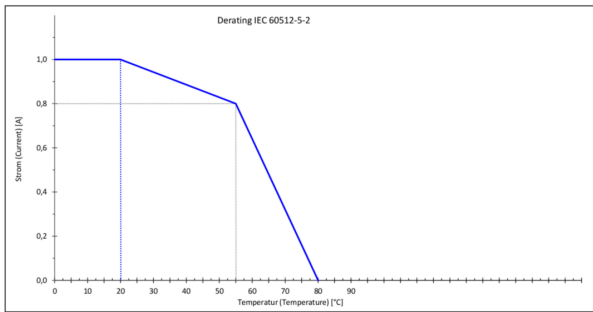


GDM Standard DIN Standard Field Attachable Connector: Form A, 3-pin (2+1PE; PE across cable outlet), transparent housing, screw type, PG11; with bridge rectifier, varistor and yellow LED, 48 V AC/DC, 1 A

Product Description

GDM Standard DIN Standard Field Attachable Connector: Form A, 3-pin (2+1PE; PE across cable outlet), transparent housing, screw type, PG11; with bridge rectifier, varistor and yellow LED, 48 V AC/DC, 1 A

Technical Drawing



Montageanleitung
VENTILSTEUERUNG
GDM

DIN EN 175305-803

PEL, IP 67

Kabeldurchmesser: 6,0 bis 8,0 mm / 8,0 bis 10,0 mm
Leitungsschnur: AWG 20 – AWG 14

Achtung!
Nicht betriebsbereit lassen oder Last über Spannung stecken / versetzen

Bei Fehler des Kabels die Druckluftschleife aufbrechen und die Hochdruckleitung nicht wieder angeschlossen. Versuchen Sie es mit anderen Kabeln oder Ventilen. Bei weiteren Problemen wenden Sie sich an den Hersteller. Die Montageanleitung ist ein Dokument, das die Sicherheit der Person und die Sicherheit des Produkts gewährleisten soll. Die Montageanleitung ist ein Dokument, das die Sicherheit der Person und die Sicherheit des Produkts gewährleisten soll. Die Montageanleitung ist ein Dokument, das die Sicherheit der Person und die Sicherheit des Produkts gewährleisten soll.

1. Leuchtgeräteeinbau / Kabeldurchmesser / Anzeigegerät

GDMMod	30x1,5	6,0 – 8,0 mm	150 Nm
GDMMod	7x9	6,0 – 8,0 mm	150 Nm
GDMMod	M 2x0,5	8,0 – 10,0 mm	150 Nm
GDMMod	PG 11	8,0 – 10,0 mm	150 Nm
GDMMod	3/4 NPT	8,0 – 10,0 mm	150 Nm
GDMMod	90/100	8,0 – 10,0 mm	150 Nm

2. Schutzblech / Anzeigegerät / Einbau / Maße

AWG 20	40 Nm	64 / 300 V AC/DC
AWG 18	40 Nm	320 / 300 V AC/DC
AWG 16	40 Nm	320 / 300 V AC/DC
AWG 14	40 Nm	320 / 300 V AC/DC

3. Zentraleinbaueinrichtung

M 3x0,5	10 Nm
M 3x0,5	10 Nm
M 3x0,5	10 Nm
M 3x0,5	10 Nm
M 3x0,5	10 Nm

4. Leitung durchdringung

Optional ist die Verwendung einer Adressschlüssel-Lösung

5. Gängige Kontakte für Leuchtgeräten: GDMMod AWG

Typ (AWG)	Janter Power Term	Leitungsschnur (AWG)	2,0 mm²
		Handlungsgruppe Typ (AWG)	3,0 mm²

6. Montage

7. Montage

8. Montage

9. Montage

10. Montage

11. Montage

12. Montage

13. Montage

14. Montage

15. Montage

16. Montage

17. Montage

18. Montage

19. Montage

20. Montage

21. Montage

22. Montage

23. Montage

24. Montage

25. Montage

26. Montage

27. Montage

28. Montage

29. Montage

30. Montage

31. Montage

32. Montage

33. Montage

34. Montage

35. Montage

36. Montage

37. Montage

38. Montage

39. Montage

40. Montage

41. Montage

42. Montage

43. Montage

44. Montage

45. Montage

46. Montage

47. Montage

48. Montage

49. Montage

50. Montage

51. Montage

52. Montage

53. Montage

54. Montage

55. Montage

56. Montage

57. Montage

58. Montage

59. Montage

60. Montage

61. Montage

62. Montage

63. Montage

64. Montage

65. Montage

66. Montage

67. Montage

68. Montage

69. Montage

70. Montage

71. Montage

72. Montage

73. Montage

74. Montage

75. Montage

76. Montage

77. Montage

78. Montage

79. Montage

80. Montage

81. Montage

82. Montage

83. Montage

84. Montage

85. Montage

86. Montage

87. Montage

88. Montage

89. Montage

90. Montage

91. Montage

92. Montage

93. Montage

94. Montage

95. Montage

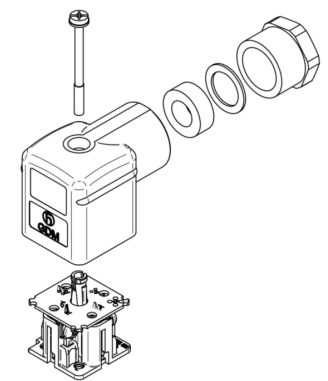
96. Montage

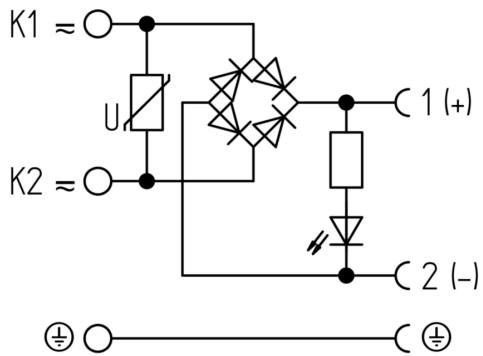
97. Montage

98. Montage

99. Montage

100. Montage





Technical Specifications

Technical Data

Product Family:	Valve Connectors
Product Sub Family:	GDM Standard
Brand:	Hirschmann
Connector Type:	Field attachable
Type of Contact / Gender:	Female
Connector Design:	Angled
Number of Pins:	2+PE (PE across cable outlet)
Coding:	A
Shielding:	Unshielded
Attachment Type:	Central Screw
Replacement for:	ID: 933925212 Name: GDML 2011 GB1 LED 48 schwarz (Yellow LED instead of Red LED)
Rated Impulse Voltage:	4.0 kV (PCBA 2.0 kV)
Operating Voltage:	48 V AC/DC
Rated Current*:	1 A
Contact Resistance:	≤ 10 mOhm
Insulation Resistance:	> 10 ⁹ Ohm
Mating Cycles:	≤ 50
Type of Connection:	Screw
Cable Gland:	PG11
Conductor Cross Section:	0.25 - 1.5 mm ²
Suitable Cables:	Ø 4.5 - 11 mm
Ambient Temperature (Operation)*:	-25°C to +80°C
Protection Degree / IP Rating**:	IP65
Design Standard:	DIN EN 175301-803-A, ISO 4400
Pollution Degree:	3 acc. to DIN EN 60664-1 (VDE 0110-1)
Clearance / Creepage Distance:	DIN EN 60664-1 (2008/01); VDE 0110-1
Overvoltage Category:	III acc. to DIN EN 60664-1 (VDE 0110-1)

Materials

Contact Base Material:	CuZn
Contact Plating:	Cu/Sn
Contact Bearer Material:	PA GF
Contact Bearer Color:	black
Flammability Class (Contact Bearer):	UL 94 HB
Housing Material:	PA GF
Housing Color:	Translucent
Flammability Class (Housing):	UL 94 HB
Cable Gland Material:	PA GF
Cable Gland Gasket:	NBR

Cable Gland Color:	Black
Attachment Material:	Steel, Philips combi slot
Gasket Material:	Sold separately

Protection Circuitry

Function Indicator:	Yellow LED
Bridge Rectifier:	yes
Protective Circuit:	Varistor

Additional Technical Data

Fastening Torque (Contact Screw):	M3: (25-30) Ncm
Fastening Torque (Cable Gland):	(150-200) Ncm
Fastening Torque (Attachment):	(50-60) Ncm

Approvals

VDE:	yes
SEV:	yes

Safety & Environmental Compliance

RoHS Compliant:	yes
-----------------	-----

Notes

Note Derating:	Notice derating
Protection Degree / IP Rating Note:	** only if mounted and locked in combination with Hirschmann / Lumberg Automation connector.
Note:	Do not connect or disconnect under load.

Variants

Item #	Item Description	Replacement For
934888147	GDM21FB-V48-10D	ID: 933925212 Name: GDML 2011 GB1 LED 48 schwarz (Yellow LED instead of Red LED)

© 2025 Belden, Inc

All Rights Reserved.

Although Belden makes every reasonable effort to ensure their accuracy at the time of this publication, information and specifications described here in are subject to error or omission and to change without notice, and the listing of such information and specifications does not ensure product availability.

Belden provides the information and specifications herein on an "ASIS" basis, with no representations or warranties, whether express, statutory or implied. In no event will Belden be liable for any damages (including consequential, indirect, incidental, special, punitive, or exemplary damages) whatsoever, even if Belden has been advised of the possibility of such damages, whether in an action under contract, negligence or any other theory, arising out of or in connection with the use, or inability to use, the information or specifications described herein.

All sales of Belden products are subject to Belden's standard terms and conditions of sale.

Belden believes this product to be in compliance with all applicable environmental programs as listed in the data sheet. The information provided is correct to the best of Belden's knowledge, information and belief at the date of its publication. This information is designed only as a general guide for the safe handling, storage, and any other operation of the product itself or the one that it becomes a part of. The Product Disclosure is not to be considered a warranty or quality specification. Regulatory information is for guidance purposes only. Product users are responsible for determining the applicability of legislation and regulations based on their individual usage of the product.