

Product: [GDM21FB-V24-10D](#)

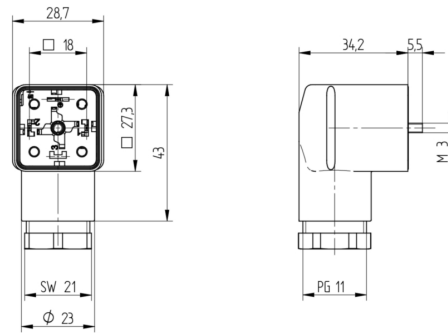


GDM Standard DIN Standard Field Attachable Connector: Form A, 3-pin (2+1PE; PE across cable outlet), transparent housing, screw type, PG11; with varistor and yellow LED, 24 V AC/DC, 10 A

Product Description

GDM Standard DIN Standard Field Attachable Connector: Form A, 3-pin (2+1PE; PE across cable outlet), transparent housing, screw type, PG11; with varistor and yellow LED, 24 V AC/DC, 10 A

Technical Drawing



Montageanleitung Ventilatorventilator

BELDEN
GDM

DIN EN 175305-803

PEL, IP 67

Kabeldurchmesser: 6,0 bis 8,0 mm / Ø 0,24 bis 0,31 mm
Leitungsquerschnitt: AWG 20 – AWG 14

Achtung!
Nicht einbauen, wenn unter Last oder Spannung stecken / ersetzen!

Bei Fehler des Kabels die Drahtschleife auf Beschädigung und der Isolierungsschicht auf Beschädigung prüfen. Bei Beschädigung der Drahtschleife oder der Isolierungsschicht die Drahtschleife austauschen. Bei Beschädigung der Drahtschleife oder der Isolierungsschicht die Drahtschleife austauschen. Bei Beschädigung der Drahtschleife oder der Isolierungsschicht die Drahtschleife austauschen.

1. Leitungsüberprüfung, Kabeldurchmesser / Anzeigensystem

GDMMod	30x1,5	0,5 – 0,2 mm	100 Nm
GDMMod	Tg 9	0,5 – 0,5 mm	100 Nm
GDMMod	M 2x0,3	0,2 – 0,2 mm	100 Nm
GDMMod	PG 11	0,2 – 0,2 mm	100 Nm
GDMMod	3x0,75	0,2 – 0,2 mm	100 Nm
GDMMod	000 200	0,2 – 0,2 mm	100 Nm

2. Schraubkabel-Überspannung / Anzeigensystem / Farbe: Werte

AWG 20	40 Nm	5A / 300 V AC/DC
AWG 18	40 Nm	5A / 300 V AC/DC
AWG 16	40 Nm	5A / 300 V AC/DC
AWG 14	40 Nm	5A / 300 V AC/DC

3. Zwickelkabel-Anzeigensystem

M 2x0,3	10 Nm
M 2x0,3	10 Nm
M 2x0,3	10 Nm
M 2x0,3	10 Nm

4. Leitungsführung, Abisolierung

Abisolierungslänge: 10 mm

5. C-Clamp Kontakte für Leitungsbusse: Druckkraft AWG

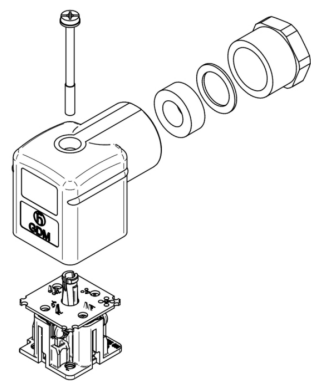
Typ (AWG)	Druckkraft (N)
14	10
16	10
18	10
20	10

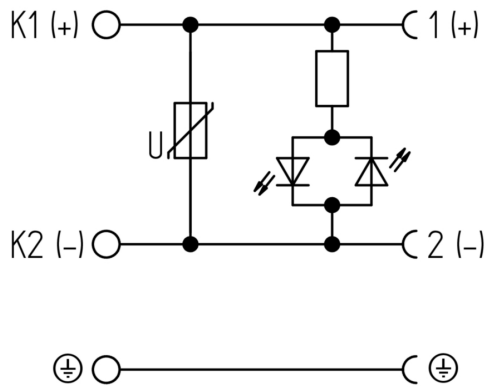
6. Warnung

Das Produkt ist ein elektrisches Bauteil. Bei Beschädigung des Produkts oder bei unsicherer Handhabung kann es zu Verletzungen oder Schäden am Produkt kommen. Bitte lesen Sie die Bedienungsanleitung sorgfältig durch und befolgen Sie alle Anweisungen.

7. Hinweis

Das Produkt ist ein elektrisches Bauteil. Bei Beschädigung des Produkts oder bei unsicherer Handhabung kann es zu Verletzungen oder Schäden am Produkt kommen. Bitte lesen Sie die Bedienungsanleitung sorgfältig durch und befolgen Sie alle Anweisungen.





Technical Specifications

Product Life Cycle

Availability:	Active
---------------	--------

Technical Data

Product Family:	Valve Connectors
Product Sub Family:	GDM Standard
Brand:	Hirschmann
Connector Type:	Field attachable
Type of Contact / Gender:	Female
Connector Design:	Angled
Number of Pins:	2+PE (PE across cable outlet)
Coding:	A
Shielding:	Unshielded
Attachment Type:	Central Screw
Replacement for:	ID: 932521002 Name: GDML 2011 LED 24 VR schwarz (Yellow LED instead of Red LED)
Rated Voltage:	24 V
Rated Impulse Voltage:	4.0 kV (PCBA 2.0 kV)
Operating Voltage:	24 V AC/DC
Rated Current*:	10 A
Contact Resistance:	≤ 10 mOhm
Insulation Resistance:	> 10 ⁹ Ohm
Mating Cycles:	≤ 50
Type of Connection:	Screw
Cable Gland:	PG11
Conductor Cross Section:	0.25 - 1.5 mm ²
Suitable Cables:	Ø 4.5 - 11 mm
Ambient Temperature (Operation)*:	-25°C to +80°C
Protection Degree / IP Rating**:	IP65
Design Standard:	DIN EN 175301-803-A, ISO 4400
Pollution Degree:	3 acc. to DIN EN 60664-1 (VDE 0110-1)
Clearance / Creepage Distance:	DIN EN 60664-1 (2008/01); VDE 0110-1
Overvoltage Category:	III acc. to DIN EN 60664-1 (VDE 0110-1)

Materials

Contact Base Material:	CuZn
Contact Plating:	Cu/Sn
Contact Bearer Material:	PA GF
Contact Bearer Color:	Black
Flammability Class (Contact Bearer):	UL 94 HB
Housing Material:	PA GF

Housing Color:	Translucent
Flammability Class (Housing):	UL 94 HB
Cable Gland Material:	PA GF
Cable Gland Gasket:	NBR
Cable Gland Color:	Black
Attachment Material:	Steel, Phillips combi slot
Gasket Material:	Sold separately

Protection Circuitry

Function Indicator:	Yellow LED
Protective Circuit:	Varistor

Additional Technical Data

Fastening Torque (Contact Screw):	(40-50) Ncm for conductor size 0.5 - 1.5 mm ² ; (30-40) Ncm for conductor size 0.34 mm ² ; (25-30) Ncm for conductor size 0.25 mm ²
Fastening Torque (Cable Gland):	(250-375) Ncm
Fastening Torque (Attachment):	(50-60) Ncm

Approvals

VDE:	Yes
SEV:	Yes

Safety & Environmental Compliance

RoHS Compliant:	Yes
-----------------	-----

Notes

Note Derating:	Notice derating
Protection Degree / IP Rating Note:	Protection Degree and IP Rating per test standard IEC 60529 using a Hirschmann / Lumberg Automation mating product
Note:	Do not connect or disconnect under load.

Variants

Item #	Item Description	Central Screw	Gasket	Packaging	Replacement For
934888148	GDM21FB-V24-10D	1- Steel Screw, Combi Head	0 - Sold Separately	D - Collect packaging 50 pieces, assembled	ID: 933737212 Name: GDML 2011 LED 24 VR YE bk

© 2025 Belden, Inc

All Rights Reserved.

Although Belden makes every reasonable effort to ensure their accuracy at the time of this publication, information and specifications described here in are subject to error or omission and to change without notice, and the listing of such information and specifications does not ensure product availability.

Belden provides the information and specifications herein on an "ASIS" basis, with no representations or warranties, whether express, statutory or implied. In no event will Belden be liable for any damages (including consequential, indirect, incidental, special, punitive, or exemplary damages) whatsoever, even if Belden has been advised of the possibility of such damages, whether in an action under contract, negligence or any other theory, arising out of or in connection with the use, or inability to use, the information or specifications described herein.

All sales of Belden products are subject to Belden's standard terms and conditions of sale.

Belden believes this product to be in compliance with all applicable environmental programs as listed in the data sheet. The information provided is correct to the best of Belden's knowledge, information and belief at the date of its publication. This information is designed only as a general guide for the safe handling, storage, and any other operation of the product itself or the one that it becomes a part of. The Product Disclosure is not to be considered a warranty or quality specification. Regulatory information is for guidance purposes only. Product users are responsible for determining the applicability of legislation and regulations based on their individual usage of the product.