

Product: [GDM21FA-S44-10D](#)

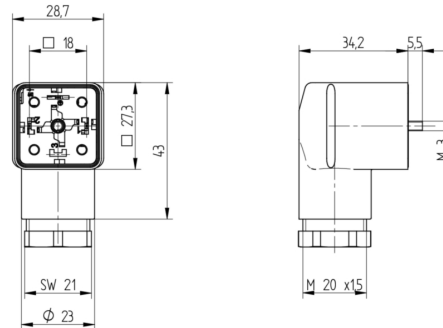
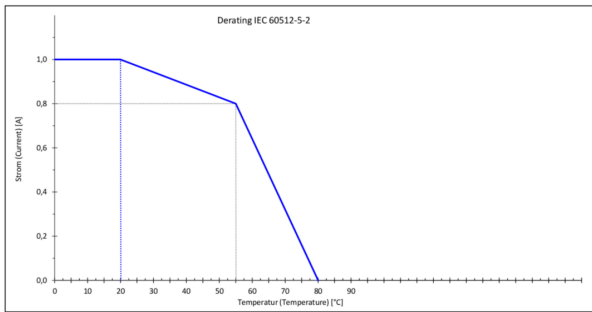


GDM Standard DIN Standard Field Attachable Connector: Form A, 3-pin (2+1PE; PE across cable outlet), transparent housing, screw type, M20; with bridge rectifier, supressor diode and yellow LED, 24 V AC/DC, 1 A

Product Description

GDM Standard DIN Standard Field Attachable Connector: Form A, 3-pin (2+1PE; PE across cable outlet), transparent housing, screw type, M20; with bridge rectifier, supressor diode and yellow LED, 24 V AC/DC, 1 A

Technical Drawing



Montageanleitung
Ventilsteuerung



DIN EN 175305-803

PEL, IP 67
Kabeldurchmesser: 6,0 bis 8,0 mm / Ø 0 bis 30,30 mm
Leitungsquerschnitt: AWG 20 - AWG 14

Achtung!
Nicht am Ende einer Last oder Spannung stecken / versenken

Bei Vandalenbeschädigung des Gehäuses...
Nicht am Ende einer Last oder Spannung stecken / versenken



Wichtige Hinweise
Dieses Produkt enthält Blei. Bei der Entsorgung...
Achtung!
Nicht am Ende einer Last oder Spannung stecken / versenken

Montage

1. Leitungsüberprüfung / Kabelkennzeichnung / Anpressen
GDM201 3x0,5 0,8 - 8,0 mm 150 Nm
GDM202 3x0,5 0,8 - 8,0 mm 150 Nm
GDM203 3x0,5 0,8 - 8,0 mm 150 Nm
GDM204 3x0,5 0,8 - 8,0 mm 150 Nm
GDM205 3x0,5 0,8 - 8,0 mm 150 Nm
GDM206 3x0,5 0,8 - 8,0 mm 150 Nm
GDM207 3x0,5 0,8 - 8,0 mm 150 Nm
GDM208 3x0,5 0,8 - 8,0 mm 150 Nm
GDM209 3x0,5 0,8 - 8,0 mm 150 Nm
GDM210 3x0,5 0,8 - 8,0 mm 150 Nm

2. Schutzblech / Anpressen / Flansche / Montage

AWG 20 40 Nm SW 100 V AC/DC
AWG 18 40 Nm SW 100 V AC/DC
AWG 16 40 Nm SW 100 V AC/DC
AWG 14 40 Nm SW 100 V AC/DC

3. Zentraleinbaueinrichtung

M 3x0,5 40 Nm
M 3x0,5 40 Nm
M 3x0,5 40 Nm

4. Leitungsführung / Befestigung

AWG 20 40 Nm
AWG 18 40 Nm
AWG 16 40 Nm
AWG 14 40 Nm

5. Geringe Kontakte für Leitungen: GDM200-200

Typ GDM210 Junior Power Terminal
Leitungsquerschnitt: AWG 14 - 20
Handhabung: Typ GDM210-1, M 3x0,5, 100 Nm

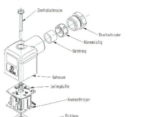
Kabelung Steckverbinder / Befestigung der Adern

Pin 1: Schutzblech
Pin 2: Schutzblech
Pin 3: Schutzblech
Pin 4: Schutzblech
Pin 5: Schutzblech
Pin 6: Schutzblech
Pin 7: Schutzblech
Pin 8: Schutzblech
Pin 9: Schutzblech
Pin 10: Schutzblech

Leitungsplatte ohne Leiterplatte



Leitungsplatte mit Leiterplatte



WICHTIG!

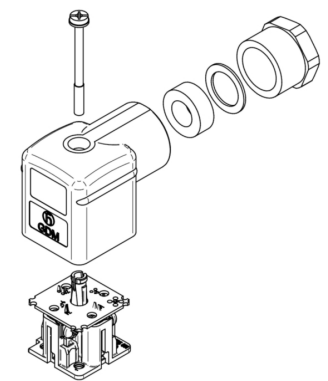
Achtung!
Nicht am Ende einer Last oder Spannung stecken / versenken

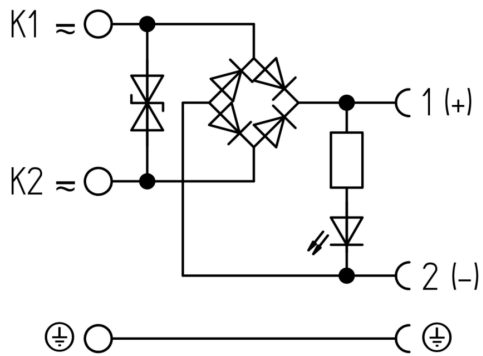
WICHTIG!

Achtung!
Nicht am Ende einer Last oder Spannung stecken / versenken

WICHTIG!

Achtung!
Nicht am Ende einer Last oder Spannung stecken / versenken





Technical Specifications

Technical Data

Product Family:	Valve Connectors
Product Sub Family:	GDM Standard
Brand:	Hirschmann
Connector Type:	Field attachable
Type of Contact / Gender:	Female
Connector Design:	Angled
Number of Pins:	2+PE (PE across cable outlet)
Coding:	A
Shielding:	Unshielded
Attachment Type:	Central Screw
Rated Impulse Voltage:	4.0 kV (PCBA 2.0 kV)
Operating Voltage:	24 V AC/DC
Rated Current*:	1 A
Contact Resistance:	≤ 10 mOhm
Insulation Resistance:	> 10 ⁹ Ohm
Mating Cycles:	≤ 50
Type of Connection:	Screw
Cable Gland:	M20
Conductor Cross Section:	0.25 - 1.5 mm ²
Suitable Cables:	Ø 4.5 - 11 mm
Ambient Temperature (Operation)*:	-25°C to +80°C
Protection Degree / IP Rating**:	IP65
Design Standard:	DIN EN 175301-803-A, ISO 4400
Pollution Degree:	3 acc. to DIN EN 60664-1 (VDE 0110-1)
Clearance / Creepage Distance:	DIN EN 60664-1 (2008/01); VDE 0110-1
Overvoltage Category:	III acc. to DIN EN 60664-1 (VDE 0110-1)

Materials

Contact Base Material:	CuZn
Contact Plating:	Cu/Sn
Contact Bearer Material:	PA GF
Contact Bearer Color:	black
Flammability Class (Contact Bearer):	UL 94 HB
Housing Material:	PA GF
Housing Color:	Translucent
Flammability Class (Housing):	UL 94 HB
Cable Gland Material:	PA GF
Cable Gland Gasket:	NBR
Cable Gland Color:	Black

Attachment Material:	Steel, Philips combi slot
Gasket Material:	Sold separately

Protection Circuitry

Function Indicator:	Yellow LED
Bridge Rectifier:	yes
Protective Circuit:	Supressor diode

Additional Technical Data

Fastening Torque (Contact Screw):	M3: (25-30) Ncm
Fastening Torque (Cable Gland):	(150-200) Ncm
Fastening Torque (Attachment):	(50-60) Ncm

Approvals

VDE:	yes
SEV:	yes

Safety & Environmental Compliance

RoHS Compliant:	yes
-----------------	-----

Notes

Note Derating:	Notice derating
Protection Degree / IP Rating Note:	** only if mounted and locked in combination with Hirschmann / Lumberg Automation connector.
Note:	Do not connect or disconnect under load.

Variants

Item #	Item Description
934888065	GDM21FA-S44-10D

© 2024 Belden, Inc

All Rights Reserved.

Although Belden makes every reasonable effort to ensure their accuracy at the time of this publication, information and specifications described here in are subject to error or omission and to change without notice, and the listing of such information and specifications does not ensure product availability.

Belden provides the information and specifications herein on an "ASIS" basis, with no representations or warranties, whether express, statutory or implied. In no event will Belden be liable for any damages (including consequential, indirect, incidental, special, punitive, or exemplary damages) whatsoever, even if Belden has been advised of the possibility of such damages, whether in an action under contract, negligence or any other theory, arising out of or in connection with the use, or inability to use, the information or specifications described herein.

All sales of Belden products are subject to Belden's standard terms and conditions of sale.

Belden believes this product to be in compliance with all applicable environmental programs as listed in the data sheet. The information provided is correct to the best of Belden's knowledge, information and belief at the date of its publication. This information is designed only as a general guide for the safe handling, storage, and any other operation of the product itself or the one that it becomes a part of. The Product Disclosure is not to be considered a warranty or quality specification. Regulatory information is for guidance purposes only. Product users are responsible for determining the applicability of legislation and regulations based on their individual usage of the product.