

Product: [GDM21FA-L11-10D](#)

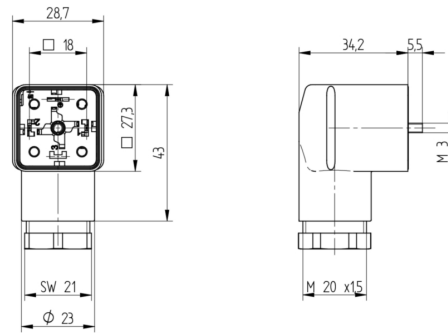
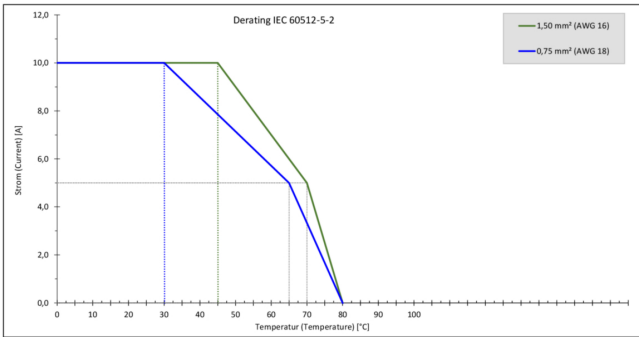


GDM Standard DIN Standard Field Attachable Connector: Form A, 3-pin (2+1PE; PE across cable outlet), transparent housing, screw type, M20; with yellow LED, 110 V AC/DC, 10 A

Product Description

GDM Standard DIN Standard Field Attachable Connector: Form A, 3-pin (2+1PE; PE across cable outlet), transparent housing, screw type, M20; with yellow LED, 110 V AC/DC, 10 A

Technical Drawing



Montageanleitung
VENTILSTECKER

GDM

DIN EN 175305-803

PEL, IP 67

Kabelkanäle: 6,0 bis 8,0 mm / 8,0 bis 30,0 mm
Leitungsquerschnitt: AWG 20 – AWG 14

Achtung!
Steckerkabel nicht unter Last oder Spannung stecken / connect

Bei Fehler den Stecker aus der Steckdose und/oder dem Verteilerkasten mit der Hochspannung (nicht unter Spannung) trennen. Bei Stromschlag sofort angehalten werden, um über die für die vollständige Trennung des Stroms benötigte Zeit zu verfügen. Bei Stromschlag sofort Hilfe holen. Bei Stromschlag sofort Hilfe holen. Bei Stromschlag sofort Hilfe holen. Bei Stromschlag sofort Hilfe holen.

Technische Zeichnung

1. Leitungsbezeichnung, Kabelkanäle / Anzeigement

| | | | |
|-------|---------|----------------|--------|
| GDM20 | 3x0,5 | 0,5 – 0,5 mm | 150 Nm |
| GDM20 | Tg 9 | 0,5 – 0,5 mm | 150 Nm |
| GDM20 | M 2x0,5 | 0,5 – 0,5 mm | 150 Nm |
| GDM20 | Pg 1,1 | 0,5 – 0,5 mm | 150 Nm |
| GDM20 | 3x0,75 | 0,75 – 0,75 mm | 150 Nm |
| GDM20 | 0x0,25 | 0,25 – 0,25 mm | 150 Nm |

2. Schutzkabel: Leiterquerschnitt / Anzeigement / Farbe: Marke

| | | | |
|--------|-------|-------------------|--|
| AWG 20 | 40 Nm | 6A / 300 V AC/DC | |
| AWG 18 | 40 Nm | 10A / 300 V AC/DC | |
| AWG 16 | 40 Nm | 16A / 300 V AC/DC | |
| AWG 14 | 40 Nm | 25A / 300 V AC/DC | |

3. Zentraleinbaueinrichtung

| | | |
|---------|-------|-------|
| M 2x0,5 | 40 Nm | 10 Nm |
| M 2x0,5 | 40 Nm | 10 Nm |
| M 2x0,5 | 40 Nm | 10 Nm |
| M 2x0,5 | 40 Nm | 10 Nm |

4. Leitungsführung, Abkantung

5. C-Steck Kontakte für Leitungen: Druckkraft AWG

| | |
|----------------------|---------------------------------|
| Typ: AMP | Janitor Power Term |
| Leitungsquerschnitt: | 0,5 bis 2,5 mm² |
| Handlungsgruppe: | Typ: AMP 3285-2, Marken: 3285/2 |

6. Montage

7. Montage

8. Montage

9. Montage

10. Montage

11. Montage

12. Montage

13. Montage

14. Montage

15. Montage

16. Montage

17. Montage

18. Montage

19. Montage

20. Montage

21. Montage

22. Montage

23. Montage

24. Montage

25. Montage

26. Montage

27. Montage

28. Montage

29. Montage

30. Montage

31. Montage

32. Montage

33. Montage

34. Montage

35. Montage

36. Montage

37. Montage

38. Montage

39. Montage

40. Montage

41. Montage

42. Montage

43. Montage

44. Montage

45. Montage

46. Montage

47. Montage

48. Montage

49. Montage

50. Montage

51. Montage

52. Montage

53. Montage

54. Montage

55. Montage

56. Montage

57. Montage

58. Montage

59. Montage

60. Montage

61. Montage

62. Montage

63. Montage

64. Montage

65. Montage

66. Montage

67. Montage

68. Montage

69. Montage

70. Montage

71. Montage

72. Montage

73. Montage

74. Montage

75. Montage

76. Montage

77. Montage

78. Montage

79. Montage

80. Montage

81. Montage

82. Montage

83. Montage

84. Montage

85. Montage

86. Montage

87. Montage

88. Montage

89. Montage

90. Montage

91. Montage

92. Montage

93. Montage

94. Montage

95. Montage

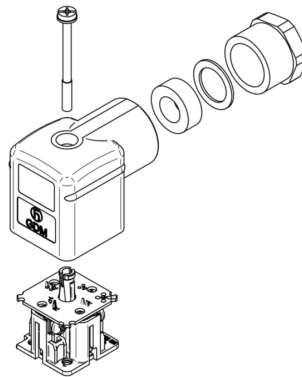
96. Montage

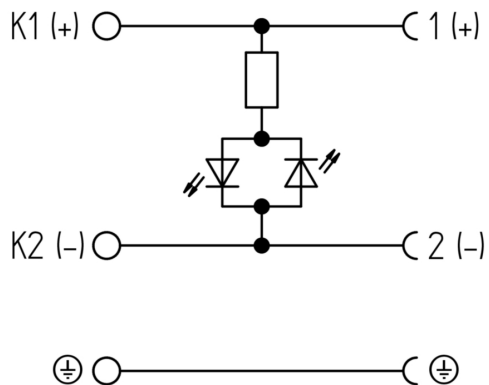
97. Montage

98. Montage

99. Montage

100. Montage





Technical Specifications

Technical Data

| | |
|-----------------------------------|---|
| Product Family: | Valve Connectors |
| Product Sub Family: | GDM Standard |
| Brand: | Hirschmann |
| Connector Type: | Field attachable |
| Type of Contact / Gender: | Female |
| Connector Design: | Angled |
| Number of Pins: | 2+PE (PE across cable outlet) |
| Coding: | A |
| Shielding: | Unshielded |
| Attachment Type: | Central Screw |
| Rated Impulse Voltage: | 4.0 kV (PCBA 2.0 kV) |
| Operating Voltage: | 110 V AC/DC |
| Rated Current*: | 10 A |
| Contact Resistance: | ≤ 10 mOhm |
| Insulation Resistance: | > 10 ⁹ Ohm |
| Mating Cycles: | ≤ 50 |
| Type of Connection: | Screw |
| Cable Gland: | M20 |
| Conductor Cross Section: | 0.25 - 1.5 mm ² |
| Suitable Cables: | Ø 4.5 - 11 mm |
| Ambient Temperature (Operation)*: | -25°C to +80°C |
| Protection Degree / IP Rating**: | IP65 |
| Design Standard: | DIN EN 175301-803-A, ISO 4400 |
| Pollution Degree: | 3 acc. to DIN EN 60664-1 (VDE 0110-1) |
| Clearance / Creepage Distance: | DIN EN 60664-1 (2008/01); VDE 0110-1 |
| Overvoltage Category: | III acc. to DIN EN 60664-1 (VDE 0110-1) |

Materials

| | |
|--------------------------------------|-------------|
| Contact Base Material: | CuZn |
| Contact Plating: | Cu/Sn |
| Contact Bearer Material: | PA GF |
| Contact Bearer Color: | black |
| Flammability Class (Contact Bearer): | UL 94 HB |
| Housing Material: | PA GF |
| Housing Color: | Translucent |
| Flammability Class (Housing): | UL 94 HB |
| Cable Gland Material: | PA GF |
| Cable Gland Gasket: | NBR |
| Cable Gland Color: | Black |

| | |
|----------------------|---------------------------|
| Attachment Material: | Steel, Philips combi slot |
| Gasket Material: | Sold separately |

Protection Circuitry

| | |
|---------------------|------------|
| Function Indicator: | Yellow LED |
|---------------------|------------|

Additional Technical Data

| | |
|-----------------------------------|---|
| Fastening Torque (Contact Screw): | (40-50) Ncm for conductor size 0.25 - 1.5 mm ² ; (30-40) Ncm for conductor size 0.34 mm ² ; (25-30) Ncm for conductor size 0.25 mm ² |
| Fastening Torque (Cable Gland): | (150-200) Ncm |
| Fastening Torque (Attachment): | (50-60) Ncm |

Approvals

| | |
|------|-----|
| VDE: | yes |
| SEV: | yes |

Safety & Environmental Compliance

| | |
|-----------------|-----|
| RoHS Compliant: | yes |
|-----------------|-----|

Notes

| | |
|-------------------------------------|--|
| Note Derating: | Notice derating |
| Protection Degree / IP Rating Note: | ** only if mounted and locked in combination with Hirschmann / Lumberg Automation connector. |
| Note: | Do not connect or disconnect under load. |

Variants

| Item # | Item Description |
|-----------|------------------|
| 934888055 | GDM21FA-L11-10D |

© 2025 Belden, Inc

All Rights Reserved.

Although Belden makes every reasonable effort to ensure their accuracy at the time of this publication, information and specifications described here in are subject to error or omission and to change without notice, and the listing of such information and specifications does not ensure product availability.

Belden provides the information and specifications herein on an "ASIS" basis, with no representations or warranties, whether express, statutory or implied. In no event will Belden be liable for any damages (including consequential, indirect, incidental, special, punitive, or exemplary damages) whatsoever, even if Belden has been advised of the possibility of such damages, whether in an action under contract, negligence or any other theory, arising out of or in connection with the use, or inability to use, the information or specifications described herein.

All sales of Belden products are subject to Belden's standard terms and conditions of sale.

Belden believes this product to be in compliance with all applicable environmental programs as listed in the data sheet. The information provided is correct to the best of Belden's knowledge, information and belief at the date of its publication. This information is designed only as a general guide for the safe handling, storage, and any other operation of the product itself or the one that it becomes a part of. The Product Disclosure is not to be considered a warranty or quality specification. Regulatory information is for guidance purposes only. Product users are responsible for determining the applicability of legislation and regulations based on their individual usage of the product.