

Product: [GDM21AM-V3U-10D](#)

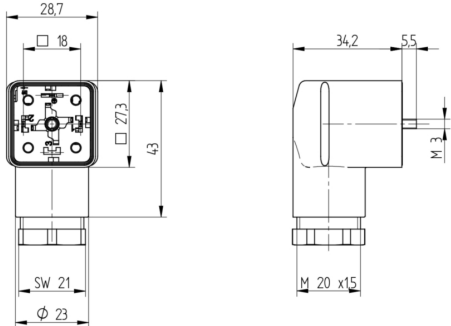


GDM Standard DIN Standard Field Attachable Connector: Form A, 3-pin (2+1PE; PE across cable outlet), UL 2238, black housing, screw type, M20 with strain relief; with bridge rectifier and varistor, 230 V AC/DC, 1 A

Product Description

GDM Standard DIN Standard Field Attachable Connector: Form A, 3-pin (2+1PE; PE across cable outlet), UL 2238, black housing, screw type, M20 with strain relief, with bridge rectifier and varistor, 230 V AC/DC, 1 A

Technical Drawing



Montageanleitung Ventillösungsverbinder GDM

DIN EN 175305-803

PHS, 01/07

Kabelführungskategorie: 0,5 Sek. 0,8 mm (SE) bis 30,0 mm Leitungskategorie: AWG 20 – AWG 14

Achtung! Steckverbinder nicht unter Last oder Spannung stecken / remove!

Sie finden den Steckverbinder auf Zusammenbau mit der Baubeschreibung und den technischen Zeichnungen in der Bedienungsanleitung. Die Steckverbinder sind nur für die Verwendung im Freien geeignet. Die Steckverbinder sind für die Verwendung im Freien geeignet. Die Steckverbinder sind für die Verwendung im Freien geeignet. Die Steckverbinder sind für die Verwendung im Freien geeignet.

Warnung!
Bei Montage des Steckverbinders sind die folgenden Punkte zu beachten:
- Die Steckverbinder sind für die Verwendung im Freien geeignet.
- Die Steckverbinder sind für die Verwendung im Freien geeignet.

Warnung!
Bei Montage des Steckverbinders sind die folgenden Punkte zu beachten:
- Die Steckverbinder sind für die Verwendung im Freien geeignet.
- Die Steckverbinder sind für die Verwendung im Freien geeignet.

Sicherheitsrelevante Hinweise

Die folgenden Hinweise sind für die Installation und den Betrieb des Steckverbinders zu beachten. Die Sicherheit des Steckverbinders ist von der richtigen Installation und dem Einsatz von qualifiziertem Personal abhängig.

Achtung!
Die Sicherheit des Steckverbinders ist von der richtigen Installation und dem Einsatz von qualifiziertem Personal abhängig.

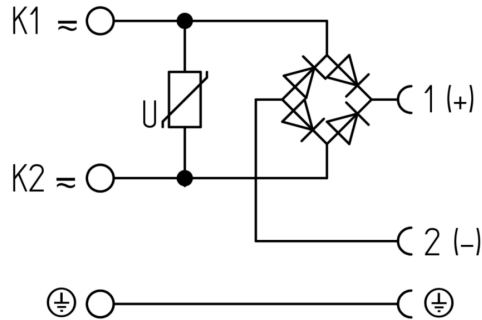
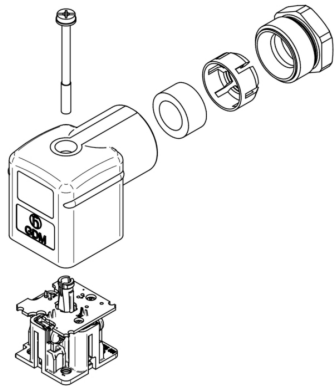
Warnung!
Bei Montage des Steckverbinders sind die folgenden Punkte zu beachten:
- Die Steckverbinder sind für die Verwendung im Freien geeignet.

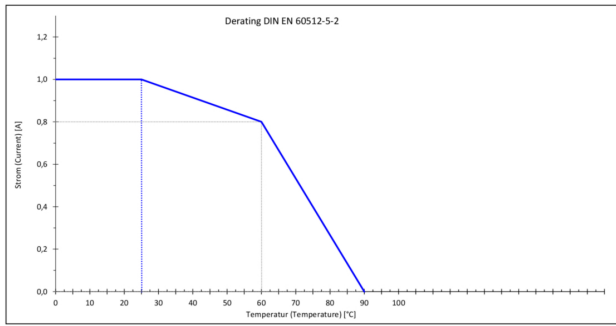
Technische Spezifikationen

Normen: IEC 60384-1, IEC 60384-2, IEC 60384-3, IEC 60384-4, IEC 60384-5, IEC 60384-6, IEC 60384-7, IEC 60384-8, IEC 60384-9, IEC 60384-10, IEC 60384-11, IEC 60384-12, IEC 60384-13, IEC 60384-14, IEC 60384-15, IEC 60384-16, IEC 60384-17, IEC 60384-18, IEC 60384-19, IEC 60384-20, IEC 60384-21, IEC 60384-22, IEC 60384-23, IEC 60384-24, IEC 60384-25, IEC 60384-26, IEC 60384-27, IEC 60384-28, IEC 60384-29, IEC 60384-30, IEC 60384-31, IEC 60384-32, IEC 60384-33, IEC 60384-34, IEC 60384-35, IEC 60384-36, IEC 60384-37, IEC 60384-38, IEC 60384-39, IEC 60384-40, IEC 60384-41, IEC 60384-42, IEC 60384-43, IEC 60384-44, IEC 60384-45, IEC 60384-46, IEC 60384-47, IEC 60384-48, IEC 60384-49, IEC 60384-50.

Optionen

Option 1: 10 A, 100 V AC/DC
Option 2: 10 A, 250 V AC/DC
Option 3: 10 A, 500 V AC/DC
Option 4: 10 A, 1000 V AC/DC





Technical Specifications

Technical Data

Product Family:	Valve Connectors
Product Sub Family:	GDM Standard
Brand:	Hirschmann
Connector Type:	Field attachable
Type of Contact / Gender:	Female
Connector Design:	Angled
Number of Pins:	2+PE (PE across cable outlet)
Coding:	A
Shielding:	Unshielded
Attachment Type:	Central Screw
Rated Voltage (UL):	250 V
Rated Voltage (CSA):	250 V
Rated Impulse Voltage:	4.0 kV (PCBA 2.0 kV)
Operating Voltage:	230 V AC/DC
Rated Current*:	1 A
Rated Current (UL)*:	1 A
Rated Current (CSA)*:	0.7 A
Contact Resistance:	≤ 10 mOhm
Insulation Resistance:	> 10 ⁹ Ohm
Mating Cycles:	≤ 50
Type of Connection:	Screw
Cable Gland:	M20 with strain relief
Conductor Cross Section:	0.25 - 1.5 mm ²
Strain-Relief:	Clamping Cage
Suitable Cables:	Ø 8 - 10 mm
Ambient Temperature (Operation)*:	-40 °C - +125 °C
Operating Temperature (UL):	max. + 75 °C
Operating Temperature (CSA):	max. + 75 °C
Protection Degree / IP Rating**:	IP65, IP67
Design Standard:	DIN EN 175301-803-A, ISO 4400
Pollution Degree:	3 acc. to DIN EN 60664-1 (VDE 0110-1)
Clearance / Creepage Distance:	DIN EN 60664-1 (2008/01); VDE 0110-1
Overvoltage Category:	III acc. to DIN EN 60664-1 (VDE 0110-1)

Materials

Contact Base Material:	CuZn
Contact Plating:	Cu/Sn
Contact Bearer Material:	PA GF
Contact Bearer Color:	black

Flammability Class (Contact Bearer):	UL 94 HB
Housing Material:	PA GF
Housing Color:	Black (cURus)
Flammability Class (Housing):	UL 94 5VA
Cable Gland Material:	PA GF
Cable Gland Gasket:	NBR
Cable Gland Color:	Black
Strain-Relief Material:	PA GF
Attachment Material:	Steel, Phillips combi slot
Gasket Material:	Sold separately

Protection Circuitry

Bridge Rectifier:	yes
Protective Circuit:	Varistor

Additional Technical Data

Fastening Torque (Contact Screw):	M3: (25-30) Ncm
Fastening Torque (Cable Gland):	(150-200) Ncm
Fastening Torque (Attachment):	(50-60) Ncm

Approvals

UL-File:	E315587
UL:	UL 2238; cURus
VDE:	yes
SEV:	yes

Safety & Environmental Compliance

RoHS Compliant:	yes
-----------------	-----

Notes

Note Derating:	Notice derating
Protection Degree / IP Rating Note:	** only if mounted and locked in combination with Hirschmann / Lumberg Automation connector.
Note:	Do not connect or disconnect under load.

Variants

Item #	Item Description
934888574	GDM21AM-V3U-10D

© 2024 Belden, Inc

All Rights Reserved.

Although Belden makes every reasonable effort to ensure their accuracy at the time of this publication, information and specifications described here in are subject to error or omission and to change without notice, and the listing of such information and specifications does not ensure product availability.

Belden provides the information and specifications herein on an "ASIS" basis, with no representations or warranties, whether express, statutory or implied. In no event will Belden be liable for any damages (including consequential, indirect, incidental, special, punitive, or exemplary damages) whatsoever, even if Belden has been advised of the possibility of such damages, whether in an action under contract, negligence or any other theory, arising out of or in connection with the use, or inability to use, the information or specifications described herein.

All sales of Belden products are subject to Belden's standard terms and conditions of sale.

Belden believes this product to be in compliance with all applicable environmental programs as listed in the data sheet. The information provided is correct to the best of Belden's knowledge, information and belief at the date of its publication. This information is designed only as a general guide for the safe handling, storage, and any other operation of the product itself or the one that it becomes a part of. The Product Disclosure is not to be considered a warranty or quality specification. Regulatory information is for guidance purposes only. Product users are responsible for determining the applicability of legislation and regulations based on their individual usage of the product.