

**Product:** [GDM21AJ-D3U-10D](#)

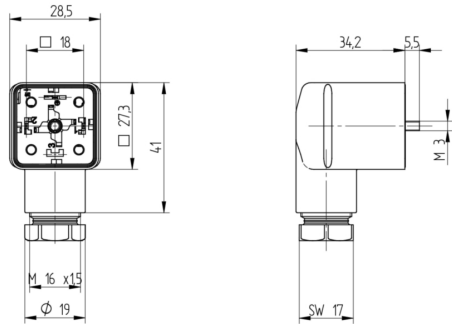


GDM Standard DIN Standard Field Attachable Connector: Form A, 3-pin (2+1PE; PE across cable outlet), UL 2238, black housing, screw type, M16 with strain relief; with bridge rectifier, 230 V AC/DC, 1 A

**Product Description**

GDM Standard DIN Standard Field Attachable Connector: Form A, 3-pin (2+1PE; PE across cable outlet), UL 2238, black housing, screw type, M16 with strain relief; with bridge rectifier, 230 V AC/DC, 1 A

**Technical Drawing**



**Montageanleitung**  
Ventilstecker  
GDM

**Wichtige Hinweise**  
Dieses Produkt enthält ein Bauelement, das für die Verwendung in Hochspannungsschaltungen geeignet ist. Es ist für die Verwendung in Hochspannungsschaltungen geeignet. Es ist für die Verwendung in Hochspannungsschaltungen geeignet. Es ist für die Verwendung in Hochspannungsschaltungen geeignet.

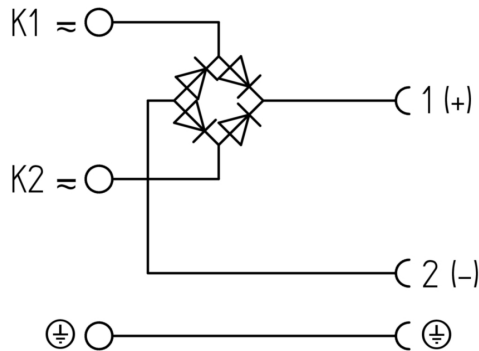
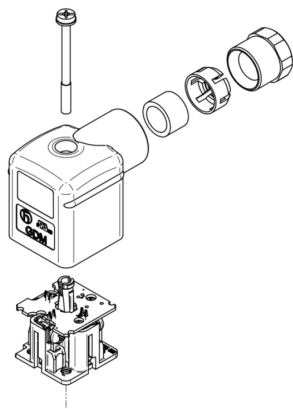
**1. Lieferumfang:**  
Ventilstecker GDM21AJ-D3U-10D

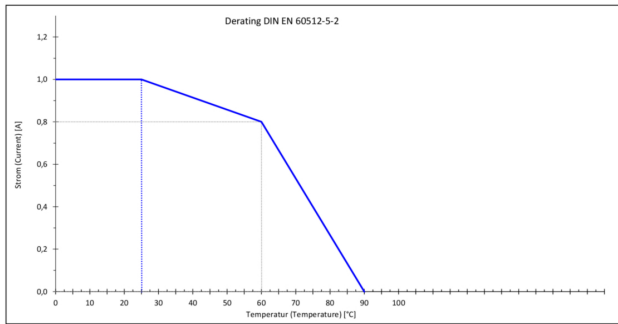
**2. Technische Angaben:**  
Nennspannung: 230 V AC/DC  
Nennstrom: 1 A  
Leistung: 230 VA

**3. Anschluss:**  
Anschluss an die Versorgungsleitung

**4. Montage:**  
Die Montage erfolgt durch das Schrauben des Ventilsteckers in die Versorgungsleitung.

**5. Elektrisches Schaltbild:**  
Das Schaltbild zeigt die Anschlüsse K1, K2, 1 (+), 2 (-) und die Erdung.





## Technical Specifications

### Technical Data

Product Family:	Valve Connectors
Product Sub Family:	GDM Standard
Brand:	Hirschmann
Connector Type:	Field attachable
Type of Contact / Gender:	Female
Connector Design:	Angled
Number of Pins:	2+PE (PE across cable outlet)
Coding:	A
Shielding:	Unshielded
Attachment Type:	Central Screw
Rated Voltage (UL):	250 V
Rated Voltage (CSA):	250 V
Rated Impulse Voltage:	4.0 kV (PCBA 2.0 kV)
Operating Voltage:	230 V AC/DC
Rated Current*:	1 A
Rated Current (UL)*:	1 A
Rated Current (CSA)*:	0.7 A
Contact Resistance:	≤ 10 mOhm
Insulation Resistance:	> 10 <sup>9</sup> Ohm
Mating Cycles:	≤ 50
Type of Connection:	Screw
Cable Gland:	M16 with strain relief
Conductor Cross Section:	0.25 - 1.5 mm <sup>2</sup>
Strain-Relief:	Clamping Cage
Suitable Cables:	Ø 6 - 8 mm
Ambient Temperature (Operation)*:	-40 °C - +125 °C
Operating Temperature (UL):	max. + 75 °C
Operating Temperature (CSA):	max. + 75 °C
Protection Degree / IP Rating**:	IP65, IP67
Design Standard:	DIN EN 175301-803-A, ISO 4400
Pollution Degree:	3 acc. to DIN EN 60664-1 (VDE 0110-1)
Clearance / Creepage Distance:	DIN EN 60664-1 (2008/01); VDE 0110-1
Overvoltage Category:	III acc. to DIN EN 60664-1 (VDE 0110-1)

### Materials

Contact Base Material:	CuZn
Contact Plating:	Cu/Sn
Contact Bearer Material:	PA GF
Contact Bearer Color:	black

Flammability Class (Contact Bearer):	UL 94 HB
Housing Material:	PA GF
Housing Color:	Black (cURus)
Flammability Class (Housing):	UL 94 5VA
Cable Gland Material:	PA GF
Cable Gland Gasket:	NBR
Cable Gland Color:	Black
Strain-Relief Material:	PA GF
Attachment Material:	Steel, Phillips combi slot
Gasket Material:	Sold separately

### Protection Circuitry

Bridge Rectifier:	yes
-------------------	-----

### Additional Technical Data

Fastening Torque (Contact Screw):	M3: (25-30) Ncm
Fastening Torque (Cable Gland):	(150-200) Ncm
Fastening Torque (Attachment):	(50-60) Ncm

### Approvals

UL-File:	E315587
UL:	UL 2238; cURus
VDE:	yes
SEV:	yes

### Safety & Environmental Compliance

RoHS Compliant:	yes
-----------------	-----

### Notes

Note Derating:	Notice derating
Protection Degree / IP Rating Note:	** only if mounted and locked in combination with Hirschmann / Lumberg Automation connector.
Note:	Do not connect or disconnect under load.

### Variants

Item #	Item Description
934888513	GDM21AJ-D3U-10D

© 2023 Belden, Inc

All Rights Reserved.

Although Belden makes every reasonable effort to ensure their accuracy at the time of this publication, information and specifications described here in are subject to error or omission and to change without notice, and the listing of such information and specifications does not ensure product availability.

Belden provides the information and specifications herein on an "ASIS" basis, with no representations or warranties, whether express, statutory or implied. In no event will Belden be liable for any damages (including consequential, indirect, incidental, special, punitive, or exemplary damages) whatsoever, even if Belden has been advised of the possibility of such damages, whether in an action under contract, negligence or any other theory, arising out of or in connection with the use, or inability to use, the information or specifications described herein.

All sales of Belden products are subject to Belden's standard terms and conditions of sale.

Belden believes this product to be in compliance with all applicable environmental programs as listed in the data sheet. The information provided is correct to the best of Belden's knowledge, information and belief at the date of its publication. This information is designed only as a general guide for the safe handling, storage, and any other operation of the product itself or the one that it becomes a part of. The Product Disclosure is not to be considered a warranty or quality specification. Regulatory information is for guidance purposes only. Product users are responsible for determining the applicability of legislation and regulations based on their individual usage of the product.