



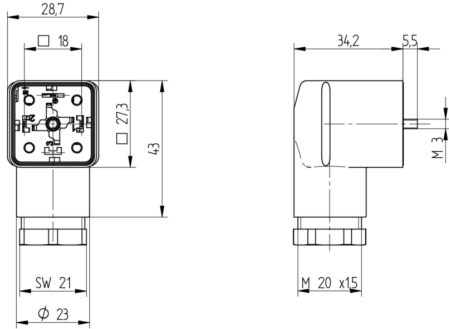
Product: [GDM216A-AOU-10E](#)

GDM Standard DIN Standard Field Attachable Connector: Form A, 3-pin (2+1PE; PE across cable outlet), grey housing, screw type, M20; without circuitry, 230 V AC/DC, 16 A

Product Description

GDM Standard DIN Standard Field Attachable Connector: Form A, 3-pin (2+1PE; PE across cable outlet), grey housing, screw type, M20; without circuitry, 230 V AC/DC, 16 A

Technical Drawing



DIN EN 175305-803

IP65, IP 67

Kabelquerschnitt: 0,5 mm² bis 16 mm² IEC 60364-5-52

Leitungsquerschnitt: AWG 20 - AWG 14

Achtung! Steckverbinder nicht unter Last oder Spannung stecken / remove!

Wir haben die Kabel mit einer Schutzart und Überdimensionierung mit der Steckverbinder nicht kompatibel gemacht. Bitte beachten Sie, dass die Steckverbinder nicht kompatibel sind. Bitte beachten Sie, dass die Steckverbinder nicht kompatibel sind. Bitte beachten Sie, dass die Steckverbinder nicht kompatibel sind.

Warnung: Es werden darauf hin, dass der Inhalt dieser Beschreibung nicht Teil einer technischen Zeichnung ist. Die Beschreibung ist nur eine Richtlinie für die Verwendung des Produkts. Die Beschreibung ist nur eine Richtlinie für die Verwendung des Produkts.

BELDEN

Sicherheitsrelevante Hinweise
Dieses Produkt enthält Elemente, die für die Verwendung in explosionsgefährdeten Umgebungen geeignet sind. Bitte beachten Sie die folgenden Hinweise:
1. **Verwendung:** Das Produkt ist für die Verwendung in explosionsgefährdeten Umgebungen geeignet.
2. **Montage:** Das Produkt ist für die Verwendung in explosionsgefährdeten Umgebungen geeignet.
3. **Wartung:** Das Produkt ist für die Verwendung in explosionsgefährdeten Umgebungen geeignet.

Montage

1. Leitungsanforderung, Kabelkennwerte / Anzeigensystem

GDM200	0,5 - 16 mm ²	150 Nm
GDM205	0,5 - 16 mm ²	150 Nm
GDM210	0,5 - 16 mm ²	150 Nm
GDM215	0,5 - 16 mm ²	150 Nm
GDM220	0,5 - 16 mm ²	150 Nm

2. Schutzkategorie / Anzeigensystem / Elektr. Werte

AWG 20	40 Nm	64 / 300 V a.c./d.c.
AWG 22	40 Nm	100 / 300 V a.c./d.c.
AWG 24	40 Nm	150 / 300 V a.c./d.c.
AWG 26	40 Nm	200 / 300 V a.c./d.c.

3. Einstellkategorie-Angebot

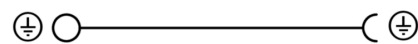
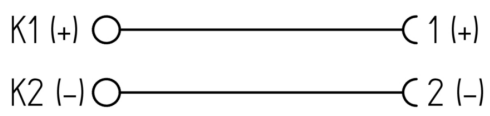
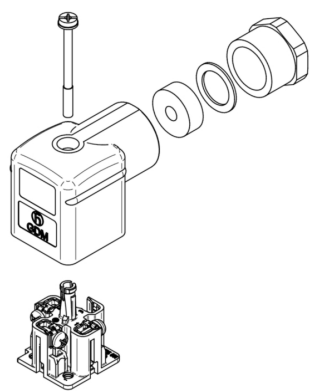
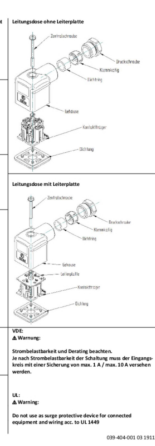
M 20x1,5	40 Nm	10 Nm
M 20x1,5	40 Nm	10 Nm
M 20x1,5	40 Nm	10 Nm

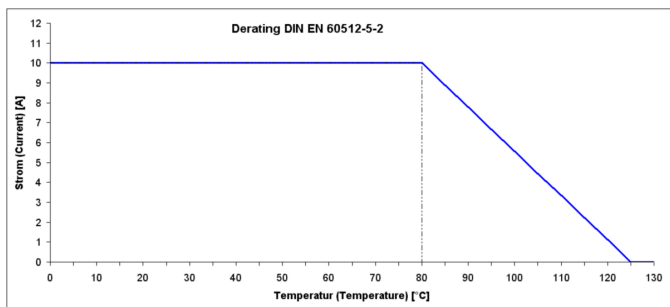
4. Leitung Adress, Adressierung

Option 1 ist die Verwendung einer Adressierhilfe

Option 2 ist die Verwendung einer Adressierhilfe

Option 3 ist die Verwendung einer Adressierhilfe





Technical Specifications

Technical Data

Product Family:	Valve Connectors
Product Sub Family:	GDM Standard
Brand:	Hirschmann
Connector Type:	Field attachable
Type of Contact / Gender:	Female
Connector Design:	Angled
Number of Pins:	2+PE (PE across cable outlet)
Coding:	A
Shielding:	Unshielded
Attachment Type:	Central Screw
Rated Impulse Voltage:	4.0 kV
Operating Voltage:	230 V AC/DC
Rated Current*:	16 A
Contact Resistance:	≤ 10 mOhm
Insulation Resistance:	> 10 ⁹ Ohm
Mating Cycles:	≤ 50
Type of Connection:	Screw
Cable Gland:	M20
Conductor Cross Section:	0.25 - 1.5 mm ²
Suitable Cables:	Ø 4.5 - 11 mm
Ambient Temperature (Operation)*:	-40 °C - +125 °C
Protection Degree / IP Rating**:	IP65
Design Standard:	DIN EN 175301-803-A, ISO 4400
Pollution Degree:	3 acc. to DIN EN 60664-1 (VDE 0110-1)
Clearance / Creepage Distance:	DIN EN 60664-1 (2008/01); VDE 0110-1
Overvoltage Category:	III acc. to DIN EN 60664-1 (VDE 0110-1)

Materials

Contact Base Material:	CuZn
Contact Plating:	Cu/Sn
Contact Bearer Material:	PA GF
Contact Bearer Color:	black
Flammability Class (Contact Bearer):	UL 94 HB
Housing Material:	PA GF
Housing Color:	Grey
Flammability Class (Housing):	UL 94 HB
Cable Gland Material:	PA GF
Cable Gland Gasket:	NBR
Cable Gland Color:	Grey
Attachment Material:	Steel, Philips combi slot
Gasket Material:	Sold separately

Additional Technical Data

Fastening Torque (Contact Screw):	M3: (25-30) Ncm
-----------------------------------	-----------------

Fastening Torque (Cable Gland):	(150-200) Ncm
Fastening Torque (Attachment):	(50-60) Ncm

Approvals

VDE:	yes
SEV:	yes

Safety & Environmental Compliance

RoHS Compliant:	yes
-----------------	-----

Notes

Note Derating:	Notice derating
Protection Degree / IP Rating Note:	** only if mounted and locked in combination with Hirschmann / Lumberg Automation connector.
Note:	Do not connect or disconnect under load.

Variants

Item #	Item Description
934888164	GDM216A-A0U-10F

© 2023 Belden, Inc

All Rights Reserved.

Although Belden makes every reasonable effort to ensure their accuracy at the time of this publication, information and specifications described here in are subject to error or omission and to change without notice, and the listing of such information and specifications does not ensure product availability.

Belden provides the information and specifications herein on an "ASIS" basis, with no representations or warranties, whether express, statutory or implied. In no event will Belden be liable for any damages (including consequential, indirect, incidental, special, punitive, or exemplary damages) whatsoever, even if Belden has been advised of the possibility of such damages, whether in an action under contract, negligence or any other theory, arising out of or in connection with the use, or inability to use, the information or specifications described herein.

All sales of Belden products are subject to Belden's standard terms and conditions of sale.

Belden believes this product to be in compliance with all applicable environmental programs as listed in the data sheet. The information provided is correct to the best of Belden's knowledge, information and belief at the date of its publication. This information is designed only as a general guide for the safe handling, storage, and any other operation of the product itself or the one that it becomes a part of. The Product Disclosure is not to be considered a warranty or quality specification. Regulatory information is for guidance purposes only. Product users are responsible for determining the applicability of legislation and regulations based on their individual usage of the product.