

Product: [GDM210D-A0U-10E](#)

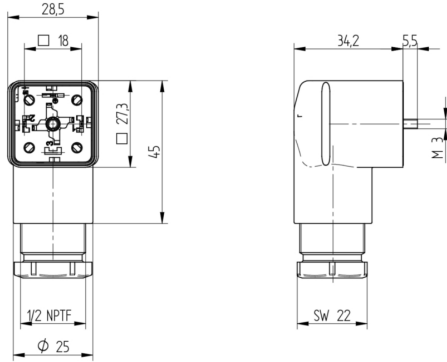


GDM Standard DIN Standard Field Attachable Connector: Form A, 3-pin (2+1PE; PE across cable outlet), black housing, screw type, 1/2" NPTF; without circuitry, 230 V AC/DC, 16 A

Product Description

GDM Standard DIN Standard Field Attachable Connector: Form A, 3-pin (2+1PE; PE across cable outlet), black housing, screw type, 1/2" NPTF; without circuitry, 230 V AC/DC, 16 A

Technical Drawing



Montageanleitung
Ventilstecker
GDM
DIN EN 175305-803
IP65, IP 67
Kabelspezifikation
Kabeldurchmesser: 0,5 bis 0,8 mm (50 bis 300 mm
Leitungseigenwert: AWG 20 – AWG 14
Achtung!
Steckerhülse nicht unter Last oder Spannung
stecken / lösen!

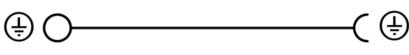
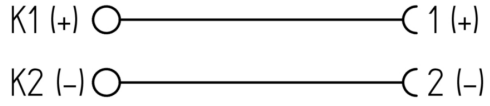
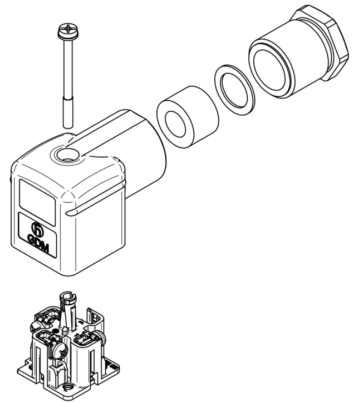
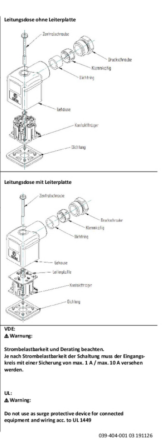
Sicherheitstechnische Hinweise
Dieses Produkt enthält Elemente, die für die Verwendung im Hochdruckbereich geeignet sind, wenn es für die Verwendung im Hochdruckbereich verwendet wird. Die Montage und die Verwendung dieses Produkts erfordern eine spezielle Ausbildung und Erfahrung. Die Montage dieses Produkts sollte nur von qualifiziertem Personal durchgeführt werden. Die Montage dieses Produkts sollte nur von qualifiziertem Personal durchgeführt werden.
Achtung! Die Montage dieses Produkts sollte nur von qualifiziertem Personal durchgeführt werden.
Warnung! Die Montage dieses Produkts sollte nur von qualifiziertem Personal durchgeführt werden.
Informationen über das Produkt: Die Montage dieses Produkts sollte nur von qualifiziertem Personal durchgeführt werden.
Informationen über die Montage: Die Montage dieses Produkts sollte nur von qualifiziertem Personal durchgeführt werden.
Informationen über die Verwendung: Die Montage dieses Produkts sollte nur von qualifiziertem Personal durchgeführt werden.

1. Leistungseigenwert, Kabeldurchmesser / Anpressmoment	
GDM200	0,5 - 0,8 mm 150 Nm
GDM205	0,5 - 0,8 mm 150 Nm
GDM210	0,5 - 0,8 mm 150 Nm
GDM215	0,5 - 0,8 mm 150 Nm
GDM220	0,5 - 0,8 mm 150 Nm
GDM225	0,5 - 0,8 mm 150 Nm

2. Schutzkategorie, Umspannung / Anpressmoment / Elektr. Werte	
AWG 20	40 Nm 64 / 300 V a.c./d.c.
AWG 22	40 Nm 64 / 300 V a.c./d.c.
AWG 24	40 Nm 64 / 300 V a.c./d.c.
AWG 26	40 Nm 64 / 300 V a.c./d.c.
AWG 28	40 Nm 64 / 300 V a.c./d.c.

3. Zertifikat / Anpressmoment / Elektr. Werte	
M 3001	4,8, 10, 15, 20, 25, 30, 35, 40 Nm
M 3002	10, 15, 20, 25, 30, 35, 40 Nm
M 3003	10, 15, 20, 25, 30, 35, 40 Nm
M 3004	10, 15, 20, 25, 30, 35, 40 Nm
M 3005	10, 15, 20, 25, 30, 35, 40 Nm

4. Leistung, Adress, Abblende	
1	10, 15, 20, 25, 30, 35, 40 Nm
2	10, 15, 20, 25, 30, 35, 40 Nm
3	10, 15, 20, 25, 30, 35, 40 Nm
4	10, 15, 20, 25, 30, 35, 40 Nm
5	10, 15, 20, 25, 30, 35, 40 Nm
6	10, 15, 20, 25, 30, 35, 40 Nm
7	10, 15, 20, 25, 30, 35, 40 Nm
8	10, 15, 20, 25, 30, 35, 40 Nm
9	10, 15, 20, 25, 30, 35, 40 Nm
10	10, 15, 20, 25, 30, 35, 40 Nm
11	10, 15, 20, 25, 30, 35, 40 Nm
12	10, 15, 20, 25, 30, 35, 40 Nm
13	10, 15, 20, 25, 30, 35, 40 Nm
14	10, 15, 20, 25, 30, 35, 40 Nm
15	10, 15, 20, 25, 30, 35, 40 Nm
16	10, 15, 20, 25, 30, 35, 40 Nm
17	10, 15, 20, 25, 30, 35, 40 Nm
18	10, 15, 20, 25, 30, 35, 40 Nm
19	10, 15, 20, 25, 30, 35, 40 Nm
20	10, 15, 20, 25, 30, 35, 40 Nm
21	10, 15, 20, 25, 30, 35, 40 Nm
22	10, 15, 20, 25, 30, 35, 40 Nm
23	10, 15, 20, 25, 30, 35, 40 Nm
24	10, 15, 20, 25, 30, 35, 40 Nm
25	10, 15, 20, 25, 30, 35, 40 Nm
26	10, 15, 20, 25, 30, 35, 40 Nm
27	10, 15, 20, 25, 30, 35, 40 Nm
28	10, 15, 20, 25, 30, 35, 40 Nm
29	10, 15, 20, 25, 30, 35, 40 Nm
30	10, 15, 20, 25, 30, 35, 40 Nm
31	10, 15, 20, 25, 30, 35, 40 Nm
32	10, 15, 20, 25, 30, 35, 40 Nm
33	10, 15, 20, 25, 30, 35, 40 Nm
34	10, 15, 20, 25, 30, 35, 40 Nm
35	10, 15, 20, 25, 30, 35, 40 Nm
36	10, 15, 20, 25, 30, 35, 40 Nm
37	10, 15, 20, 25, 30, 35, 40 Nm
38	10, 15, 20, 25, 30, 35, 40 Nm
39	10, 15, 20, 25, 30, 35, 40 Nm
40	10, 15, 20, 25, 30, 35, 40 Nm





Technical Specifications

Technical Data

Product Family:	Valve Connectors
Product Sub Family:	GDM Standard
Brand:	Hirschmann
Connector Type:	Field attachable
Type of Contact / Gender:	Female
Connector Design:	Angled
Number of Pins:	2+PE (PE across cable outlet)
Coding:	A
Shielding:	Unshielded
Attachment Type:	Central Screw
Rated Impulse Voltage:	4.0 kV
Operating Voltage:	230 V AC/DC
Rated Current*:	16 A
Contact Resistance:	≤ 10 mOhm
Insulation Resistance:	> 10 ⁹ Ohm
Mating Cycles:	≤ 50
Type of Connection:	Screw
Cable Gland:	1/2" NPTF
Conductor Cross Section:	0.25 - 1.5 mm ²
Suitable Cables:	Ø 8 - 13.5 mm
Ambient Temperature (Operation)*:	-40 °C - +125 °C
Protection Degree / IP Rating**:	IP65
Design Standard:	DIN EN 175301-803-A, ISO 4400
Pollution Degree:	3 acc. to DIN EN 60664-1 (VDE 0110-1)
Clearance / Creepage Distance:	DIN EN 60664-1 (2008/01); VDE 0110-1
Overvoltage Category:	III acc. to DIN EN 60664-1 (VDE 0110-1)

Materials

Contact Base Material:	CuZn
Contact Plating:	Cu/Sn
Contact Bearer Material:	PA GF
Contact Bearer Color:	black
Flammability Class (Contact Bearer):	UL 94 HB
Housing Material:	PA GF
Housing Color:	Black
Flammability Class (Housing):	UL 94 HB
Cable Gland Material:	PA GF
Cable Gland Gasket:	NBR
Cable Gland Color:	Black
Attachment Material:	Steel, Philips combi slot
Gasket Material:	Sold separately

Additional Technical Data

Fastening Torque (Contact Screw):	M3: (25-30) Ncm
-----------------------------------	-----------------

Fastening Torque (Cable Gland):	(150-200) Ncm
Fastening Torque (Attachment):	(50-60) Ncm

Approvals

VDE:	yes
SEV:	yes

Safety & Environmental Compliance

RoHS Compliant:	yes
-----------------	-----

Notes

Note Derating:	Notice derating
Protection Degree / IP Rating Note:	** only if mounted and locked in combination with Hirschmann / Lumberg Automation connector.
Note:	Do not connect or disconnect under load.

Variants

Item #	Item Description
934888108	GDM210D-A0U-10F

© 2023 Belden, Inc

All Rights Reserved.

Although Belden makes every reasonable effort to ensure their accuracy at the time of this publication, information and specifications described here in are subject to error or omission and to change without notice, and the listing of such information and specifications does not ensure product availability.

Belden provides the information and specifications herein on an "ASIS" basis, with no representations or warranties, whether express, statutory or implied. In no event will Belden be liable for any damages (including consequential, indirect, incidental, special, punitive, or exemplary damages) whatsoever, even if Belden has been advised of the possibility of such damages, whether in an action under contract, negligence or any other theory, arising out of or in connection with the use, or inability to use, the information or specifications described herein.

All sales of Belden products are subject to Belden's standard terms and conditions of sale.

Belden believes this product to be in compliance with all applicable environmental programs as listed in the data sheet. The information provided is correct to the best of Belden's knowledge, information and belief at the date of its publication. This information is designed only as a general guide for the safe handling, storage, and any other operation of the product itself or the one that it becomes a part of. The Product Disclosure is not to be considered a warranty or quality specification. Regulatory information is for guidance purposes only. Product users are responsible for determining the applicability of legislation and regulations based on their individual usage of the product.