

Product: [GDM2109-A0U-10E](#)

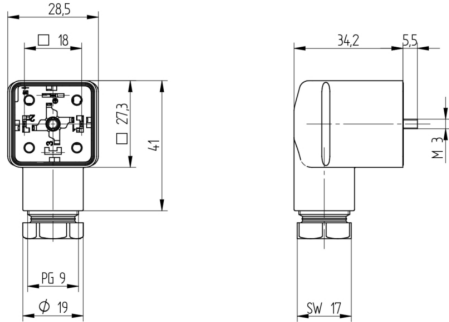
GDM Standard- 175301-803 (DIN 43650), Form A, 18mm, 2 Pole+Ground (Protective Earth), PG9, Black Housing, without circuitry, 250V | 16 A, Steel Center Screw, Bulk Packaging



Product Description

GDM Standard- 175301-803 (DIN 43650), Form A, 18mm, 2 Pole+Ground (Protective Earth), PG9, Black Housing, without circuitry, 250V | 16 A, Steel Center Screw, Bulk Packaging

Technical Drawing



Montageanleitung Ventillöseventil



DIN EN 175301-803

PG9, 16 A

Kabelspezifikation:
Kabeldurchmesser: 0,5-0,8 mm (SG) bis 32,0-mm
Kabeltyp: AWG 20 - AWG 14

Achtung!
Steckerbohrer nicht unter Last oder Spannung stecken!

Bei Vorhandensein von Öl oder Fett...
Vor dem Einbau...
Die Kabelbohrer...

Wissen:
Der Stecker...
Für den Einsatz...

Abbildung:
Die Abbildung zeigt die...



Sicherheitsrelevante Hinweise...
Achtung!...
Warnung!...

Montage

1. Leitungsbezeichnung, Kabelkennzeichnung / Anzeigensystem
GDM 20 5,0 - 8,0 mm 150 Nm
GDM 22 6,0 - 8,0 mm 150 Nm
GDM 24 6,0 - 8,0 mm 150 Nm
GDM 26 6,0 - 8,0 mm 150 Nm
GDM 28 6,0 - 8,0 mm 150 Nm
GDM 30 6,0 - 8,0 mm 150 Nm
GDM 32 6,0 - 8,0 mm 150 Nm
GDM 34 6,0 - 8,0 mm 150 Nm
GDM 36 6,0 - 8,0 mm 150 Nm
GDM 38 6,0 - 8,0 mm 150 Nm
GDM 40 6,0 - 8,0 mm 150 Nm

2. Schutzkategorie: Überspannungskategorie / Elektr. Werte
AWG 20 40 Nm 6A / 300 V a.u.V.
AWG 22 40 Nm 6A / 300 V a.u.V.
AWG 24 40 Nm 6A / 300 V a.u.V.
AWG 26 40 Nm 6A / 300 V a.u.V.
AWG 28 40 Nm 6A / 300 V a.u.V.
AWG 30 40 Nm 6A / 300 V a.u.V.
AWG 32 40 Nm 6A / 300 V a.u.V.
AWG 34 40 Nm 6A / 300 V a.u.V.
AWG 36 40 Nm 6A / 300 V a.u.V.
AWG 38 40 Nm 6A / 300 V a.u.V.
AWG 40 40 Nm 6A / 300 V a.u.V.

Optional ist die Verwendung einer Adressierhilfe zulässig

3. Einbaufach-Angebot
M 3x10 4,5, Kreuzschлиц H2 10 Nm
M 3x10: Torx T10 10 Nm
M 3x10: Schlitz 10 Nm
M 3x10: Standard 10 Nm

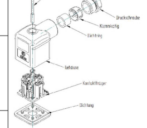
4. Leitung: Adress, Adressierung
0
1
2
3
4
5
6
7
8
9
10
11
12
13
14
15

Optional ist die Verwendung einer Adressierhilfe zulässig

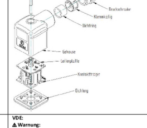
5. Comp. Standard für Leitungsbusse GDM A00 nach
Tyco/AMP: Junior Power Trainer
Leitungsbusstecker: B0800000_0001
Handlungsanleitung: Tyco/AMP, 358355-1, Material: 599397

Kabelung: Steckerbohrer / Festlegung der Adress
Pin 1: Adress 1
Pin 2: Adress 2
Pin 3: Adress 3
Pin 4: Adress 4
Pin 5: Adress 5
Pin 6: Adress 6
Pin 7: Adress 7
Pin 8: Adress 8
Pin 9: Adress 9
Pin 10: Adress 10
Pin 11: Adress 11
Pin 12: Adress 12
Pin 13: Adress 13
Pin 14: Adress 14
Pin 15: Adress 15

Leitungsbus ohne Leiterplatte

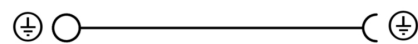
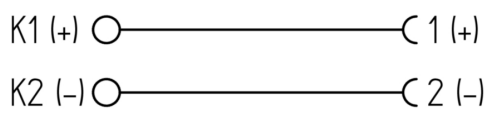
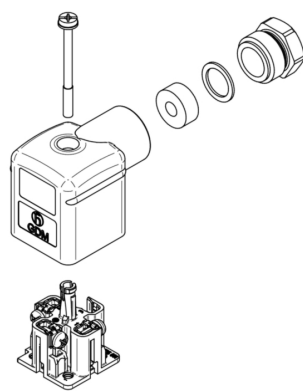


Leitungsbus mit Leiterplatte



VPE

1. Montage
Steckerbohrer und Dichtung beachten...
Achtung:
Do not use a sharp protective device for connected equipment according to UL 338B





Technical Specifications

Technical Data

Product Family:	Valve Connectors
Product Sub Family:	GDM Standard
Brand:	Hirschmann
Connector Type:	Field Attachable
Type of Contact / Gender:	Female
Connector Design:	Angled
Number of Pins:	2+PE (PE across cable outlet)
Coding:	A
Shielding:	Unshielded
Attachment Type:	Central Screw
Replacement for:	ID: 931965100 Name: GDM 2009 schwarz
Rated Voltage:	250 V
Rated Impulse Voltage:	4.0 kV
Operating Voltage:	230 V AC/DC
Rated Current*:	16 A
Contact Resistance:	≤ 10 mOhm
Insulation Resistance:	> 10 ⁹ Ohm
Mating Cycles:	≤ 50
Type of Connection:	Screw
Cable Gland:	PG9
Conductor Cross Section:	0.25 - 1.5 mm ²
Suitable Cables:	Ø 4.5 - 9 mm
Ambient Temperature (Operation)*:	-40°C to +125°C
Protection Degree / IP Rating**:	IP65
Design Standard:	DIN EN 175301-803-A, ISO 4400
Pollution Degree:	3 acc. to DIN EN 60664-1 (VDE 0110-1)
Clearance / Creepage Distance:	DIN EN 60664-1 (2008/01); VDE 0110-1
Overvoltage Category:	III acc. to DIN EN 60664-1 (VDE 0110-1)

Materials

Contact Base Material:	CuZn
Contact Plating:	Cu/Sn
Contact Bearer Material:	PA GF
Contact Bearer Color:	Black
Flammability Class (Contact Bearer):	UL 94 HB
Housing Material:	PA GF
Housing Color:	Black
Flammability Class (Housing):	UL 94 HB
Cable Gland Material:	PA GF
Cable Gland Gasket:	NBR
Cable Gland Color:	Black
Attachment Material:	Steel, Philips combi slot
Gasket Material:	Sold separately

Additional Technical Data

Fastening Torque (Contact Screw):	(40-50) Ncm for conductor size 0.5 - 1.5 mm ² ; (30-40) Ncm for conductor size 0.38-0.34 mm ² ; (25-30) Ncm for conductor size 0.25 mm ²
Fastening Torque (Cable Gland):	(250-375) Ncm
Fastening Torque (Attachment):	(50-60) Ncm

Approvals

VDE:	Yes
SEV:	Yes

Safety & Environmental Compliance

RoHS Compliant:	Yes
-----------------	-----

Notes

Note Derating:	Notice derating
Protection Degree / IP Rating Note:	** only if mounted and locked in combination with Hirschmann / Lumberg Automation connector.
Note:	Do not connect or disconnect under load.

Variants

Item #	Item Description	Central Screw	Gasket	Packaging	Replacement For
934888104	GDM2109-A0U-10F	1- SteelScrew, Combi Head	0 - Sold Separately	F - Collect packaging 200 pieces, assembled	ID: 931965100 Name: GDM 2009 black

© 2025 Belden, Inc

All Rights Reserved.

Although Belden makes every reasonable effort to ensure their accuracy at the time of this publication, information and specifications described here in are subject to error or omission and to change without notice, and the listing of such information and specifications does not ensure product availability.

Belden provides the information and specifications herein on an "ASIS" basis, with no representations or warranties, whether express, statutory or implied. In no event will Belden be liable for any damages (including consequential, indirect, incidental, special, punitive, or exemplary damages) whatsoever, even if Belden has been advised of the possibility of such damages, whether in an action under contract, negligence or any other theory, arising out of or in connection with the use, or inability to use, the information or specifications described herein.

All sales of Belden products are subject to Belden's standard terms and conditions of sale.

Belden believes this product to be in compliance with all applicable environmental programs as listed in the data sheet. The information provided is correct to the best of Belden's knowledge, information and belief at the date of its publication. This information is designed only as a general guide for the safe handling, storage, and any other operation of the product itself or the one that it becomes a part of. The Product Disclosure is not to be considered a warranty or quality specification. Regulatory information is for guidance purposes only. Product users are responsible for determining the applicability of legislation and regulations based on their individual usage of the product.