

Product: [GDM2106-V1U-10D](#)

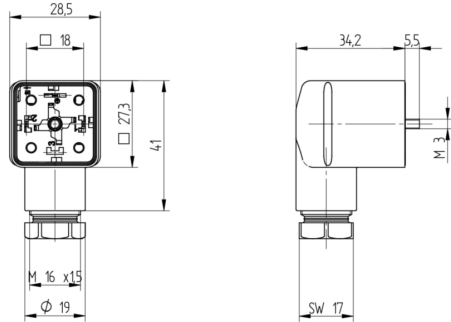


GDM Standard DIN Standard Field Attachable Connector: Form A, 3-pin (2+1PE; PE across cable outlet), black housing, screw type, M16; with varistor, 230 V AC/DC, 10 A

Product Description

GDM Standard DIN Standard Field Attachable Connector: Form A, 3-pin (2+1PE; PE across cable outlet), black housing, screw type, M16; with varistor, 230 V AC/DC, 10 A

Technical Drawing



Montageanleitung Ventillöseventilrührer

BELEN

GDM

DIN EN 175305-803

PHS, IP 67

Kabelspezifikation
Kabeldurchmesser: 0,5 bis 0,8 mm (SD) bis 30,0 mm
Leitungsquerschnitt: AWG 20 – AWG 14

Achtung!
Steckerbrüder nicht unter Last oder Spannung stecken / remove!

Wichtige Hinweise

1. Montage

2. Schutzkategorie

3. Schutzkategorie

4. Leistung

5. Einzigartigkeit

6. Abmessung

7. Abmessung

8. Abmessung

9. Abmessung

10. Abmessung

11. Abmessung

12. Abmessung

13. Abmessung

14. Abmessung

15. Abmessung

16. Abmessung

17. Abmessung

18. Abmessung

19. Abmessung

20. Abmessung

21. Abmessung

22. Abmessung

23. Abmessung

24. Abmessung

25. Abmessung

26. Abmessung

27. Abmessung

28. Abmessung

29. Abmessung

30. Abmessung

31. Abmessung

32. Abmessung

33. Abmessung

34. Abmessung

35. Abmessung

36. Abmessung

37. Abmessung

38. Abmessung

39. Abmessung

40. Abmessung

41. Abmessung

42. Abmessung

43. Abmessung

44. Abmessung

45. Abmessung

46. Abmessung

47. Abmessung

48. Abmessung

49. Abmessung

50. Abmessung

51. Abmessung

52. Abmessung

53. Abmessung

54. Abmessung

55. Abmessung

56. Abmessung

57. Abmessung

58. Abmessung

59. Abmessung

60. Abmessung

61. Abmessung

62. Abmessung

63. Abmessung

64. Abmessung

65. Abmessung

66. Abmessung

67. Abmessung

68. Abmessung

69. Abmessung

70. Abmessung

71. Abmessung

72. Abmessung

73. Abmessung

74. Abmessung

75. Abmessung

76. Abmessung

77. Abmessung

78. Abmessung

79. Abmessung

80. Abmessung

81. Abmessung

82. Abmessung

83. Abmessung

84. Abmessung

85. Abmessung

86. Abmessung

87. Abmessung

88. Abmessung

89. Abmessung

90. Abmessung

91. Abmessung

92. Abmessung

93. Abmessung

94. Abmessung

95. Abmessung

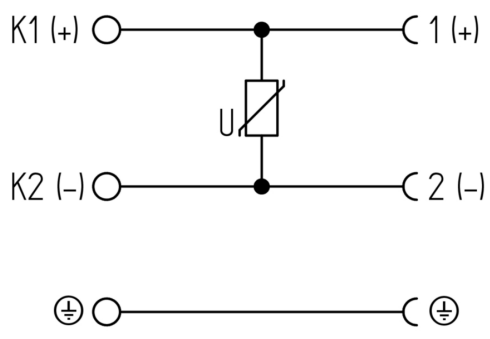
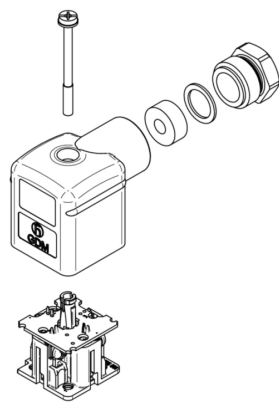
96. Abmessung

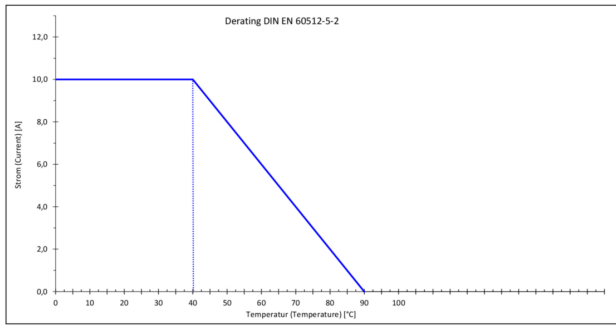
97. Abmessung

98. Abmessung

99. Abmessung

100. Abmessung





Technical Specifications

Technical Data

| | |
|-----------------------------------|---|
| Product Family: | Valve Connectors |
| Product Sub Family: | GDM Standard |
| Brand: | Hirschmann |
| Connector Type: | Field attachable |
| Type of Contact / Gender: | Female |
| Connector Design: | Angled |
| Number of Pins: | 2+PE (PE across cable outlet) |
| Coding: | A |
| Shielding: | Unshielded |
| Attachment Type: | Central Screw |
| Rated Impulse Voltage: | 4.0 kV (PCBA 2.0 kV) |
| Operating Voltage: | 230 V AC/DC |
| Rated Current*: | 10 A |
| Contact Resistance: | ≤ 10 mOhm |
| Insulation Resistance: | > 10 ⁹ Ohm |
| Mating Cycles: | ≤ 50 |
| Type of Connection: | Screw |
| Cable Gland: | M16 |
| Conductor Cross Section: | 0.25 - 1.5 mm ² |
| Suitable Cables: | Ø 4.5 - 10 mm |
| Ambient Temperature (Operation)*: | -40 °C - +125 °C |
| Protection Degree / IP Rating**: | IP65 |
| Design Standard: | DIN EN 175301-803-A, ISO 4400 |
| Pollution Degree: | 3 acc. to DIN EN 60664-1 (VDE 0110-1) |
| Clearance / Creepage Distance: | DIN EN 60664-1 (2008/01); VDE 0110-1 |
| Overvoltage Category: | III acc. to DIN EN 60664-1 (VDE 0110-1) |

Materials

| | |
|--------------------------------------|----------|
| Contact Base Material: | CuZn |
| Contact Plating: | Cu/Sn |
| Contact Bearer Material: | PA GF |
| Contact Bearer Color: | black |
| Flammability Class (Contact Bearer): | UL 94 HB |
| Housing Material: | PA GF |
| Housing Color: | Black |
| Flammability Class (Housing): | UL 94 HB |
| Cable Gland Material: | PA GF |
| Cable Gland Gasket: | NBR |
| Cable Gland Color: | Black |

| | |
|----------------------|---------------------------|
| Attachment Material: | Steel, Philips combi slot |
| Gasket Material: | Sold separately |

Protection Circuitry

| | |
|---------------------|----------|
| Protective Circuit: | Varistor |
|---------------------|----------|

Additional Technical Data

| | |
|-----------------------------------|-----------------|
| Fastening Torque (Contact Screw): | M3: (25-30) Ncm |
| Fastening Torque (Cable Gland): | (150-200) Ncm |
| Fastening Torque (Attachment): | (50-60) Ncm |

Approvals

| | |
|------|-----|
| VDE: | yes |
| SEV: | yes |

Safety & Environmental Compliance

| | |
|-----------------|-----|
| RoHS Compliant: | yes |
|-----------------|-----|

Notes

| | |
|-------------------------------------|--|
| Note Derating: | Notice derating |
| Protection Degree / IP Rating Note: | ** only if mounted and locked in combination with Hirschmann / Lumberg Automation connector. |
| Note: | Do not connect or disconnect under load. |

Variants

| Item # | Item Description |
|-----------|------------------|
| 934888033 | GDM2106-V1U-10D |

© 2023 Belden, Inc

All Rights Reserved.

Although Belden makes every reasonable effort to ensure their accuracy at the time of this publication, information and specifications described here in are subject to error or omission and to change without notice, and the listing of such information and specifications does not ensure product availability.

Belden provides the information and specifications herein on an "ASIS" basis, with no representations or warranties, whether express, statutory or implied. In no event will Belden be liable for any damages (including consequential, indirect, incidental, special, punitive, or exemplary damages) whatsoever, even if Belden has been advised of the possibility of such damages, whether in an action under contract, negligence or any other theory, arising out of or in connection with the use, or inability to use, the information or specifications described herein.

All sales of Belden products are subject to Belden's standard terms and conditions of sale.

Belden believes this product to be in compliance with all applicable environmental programs as listed in the data sheet. The information provided is correct to the best of Belden's knowledge, information and belief at the date of its publication. This information is designed only as a general guide for the safe handling, storage, and any other operation of the product itself or the one that it becomes a part of. The Product Disclosure is not to be considered a warranty or quality specification. Regulatory information is for guidance purposes only. Product users are responsible for determining the applicability of legislation and regulations based on their individual usage of the product.