



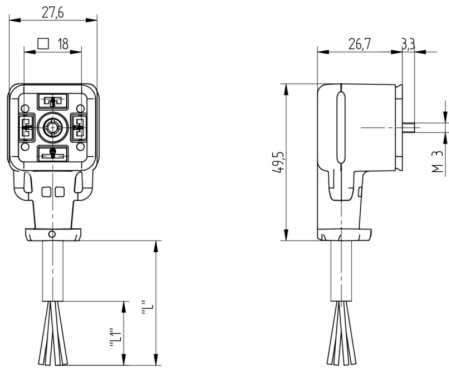
Product: [GAN3ZLU-P2M-228](#)

Form A - Female 90° | #Contacts: 3+PE | Dual gn-ye LEDs | 24 V | Cable: Black (PUR); 0.50 mm²; IEC | cURus

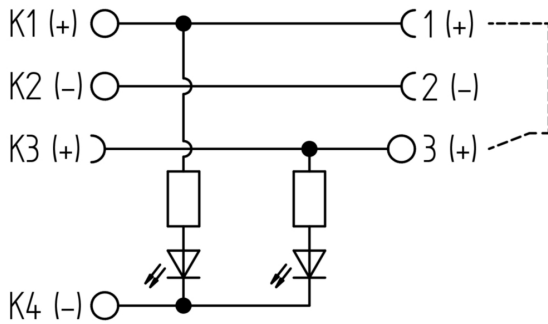
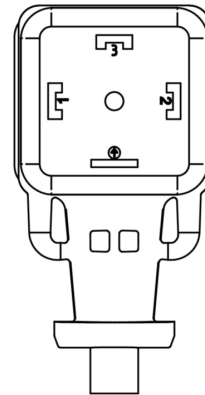
Product Description

Form A - Singled-Ended Female Angled Cordset | #Contacts: 3+PE | Dual green-yellow LEDs | 24 V / 6 A | Cable: Black PUR Jacket; 5x0.50 mm² (20 AWG); IEC | UL 2238; cURus

Technical Drawing



GAN3Z



Technical Specifications

Product Life Cycle

Life Cycle:	Active - Product is available
Availability:	Active

Face View

Pin 1	Pin 2	Pin 3	Pin 4	PE
brown	white	black	blue	green-yellow

Technical Data

Product Family:	Valve Connectors
Side 1 Product Sub Family:	GAN - cURus 2238
Brand:	Hirschmann
Connector Type:	Cordset, single ended
Side 1 Type of Contact/Gender:	Socket Contact / Female
Connector Design:	Angled (90°) Body
Number of Pins:	3+PE
Coding, Side 1:	A
Shielding Type:	Unshielded
Attachment Type:	Central Screw
Voltage Rating:	24 V
Rated Impulse Voltage:	4.0 kV (PCBA 2.0 kV)
Operating Voltage:	24 V AC/DC
Current Rating:	6 A
Side 1 Contact Resistance:	≤ 10 mOhm
Insulation Resistance:	> 10 ⁹ Ohm
Mating Cycles:	≤ 50
Cross Section:	0.50 mm ²
Ambient Temperature (Operation)*:	- 25 °C - + 85 °C [Extended Temperature - 40 °C - + 105 °C with additional gasket accessory, 934887001]
Protection Degree / IP Rating**:	IP65, IP67 (IP69K: without additional gasket; max. +80 °C)
Side 1 Design Standard:	DIN EN 175301-803-A, ISO 4400
Side 1 Pollution Degree:	3 acc. to DIN EN 60664-1 (VDE 0110-1)
Clearance / Creepage Distance:	DIN EN 60664-1 (2008/01); VDE 0110-1
Overvoltage Category:	III acc. to DIN EN 60664-1 (VDE 0110-1)

Materials

Contact Base Material:	Brass (CuZn)
Side 1 Contact Plating:	Tin over Copper (Cu/Sn)
Contact Bearer Material:	Glass-filled Polybutylene Terephthalate (PBT-GF)
Contact Bearer Color:	Black
Flammability Class (Contact Bearer):	UL 94 V-0
Molded Body Material:	Thermoplastic Polyurethane (TPU)
Molded Body Color:	Grey translucent
Flammability Class (Molded Body):	UL 94 HB
Attachment Material:	Steel, Phillips combi slot
Gasket Material:	Molded Integrated Gasket

Protection Circuitry

Function Indicator:	Dual green-yellow LEDs (pressure switch)
Protective Circuit:	Pressure Sensor w/ Function Indicator (LED's)

Additional Technical Data

Fastening Torque (Attachment):	(50-60) Ncm
Accessories to Order Separately:	934887001 - GAN EPDM gasket and holding clip

Cable Data

Cable Number:	228
Conductor Size:	0.5 mm ²
Number of Wires:	5
Minimal Bending Radius (Fixed Inst):	> 5 x D
Minimal Bending Radius (Flexible Inst):	> 10 x D
Cycles (Bending):	> 5 mio
Cycles (Torsion):	> 5 M @ ± 360 °/1 m
Conductor Material:	Cu
Cable Jacket Material:	Polyurethane (PUR)

Cable Jacket Color:	Black
Cable Diameter D:	Ø 5.4 mm [0.213 "]
Wire Insulation Material:	Polypropylene (PP)
Insulated Wire Diameter:	Ø 1.50 mm [0.06 "]
Ambient Temperature (Fixed Installation):	- 50 °C to + 80 °C
Ambient Temperature (Flex Installation):	- 25 °C to + 80 °C
Ambient Temperature (Drag Chain Inst):	- 25 °C to + 60 °C
UL Cable Type:	AWM: 20549
Flammability Class (Cable Jacket):	DIN EN 60332-2-2, VDE 0482-332-2-2, IEC 60332-2-2, CSA FT-2
Cable Characteristics:	good microbes and hydrolysis resistance, mainly plasticizer diffusion free, good chemical and oil resistance, Exclusion of PVC and Silicone, free of lacquer wetting disturbing substances, Coldness flexibility

Approvals

UL-File:	E315587
UL:	UL 2238; cURus
VDE:	Yes

Safety & Environmental Compliance

RoHS Compliant:	Yes
-----------------	-----

Resistances

Halogenfree:	Yes
Oil Resistance:	IEC 60811:404

Notes

Note Derating:	Notice derating
Protection Degree / IP Rating Note:	*IP Rating test performed by Belden with Belden Connectors only

Variants

Item #	Item Description	Cable Length
6809	GAN3ZLU-P2M-2280100-1UD	1 m
934889064	GAN3ZLU-P2M-2280200-1UC	2 m
934889065	GAN3ZLU-P2M-2280500-1UC	5 m
934889066	GAN3ZLU-P2M-2281000-1UB	10 m
934889067	GAN3ZLU-P2M-2281500-1UB	15 m

© 2026 Belden, Inc

All Rights Reserved.

Although Belden makes every reasonable effort to ensure their accuracy at the time of this publication, information and specifications described here in are subject to error or omission and to change without notice, and the listing of such information and specifications does not ensure product availability.

Belden provides the information and specifications herein on an "ASIS" basis, with no representations or warranties, whether express, statutory or implied. In no event will Belden be liable for any damages (including consequential, indirect, incidental, special, punitive, or exemplary damages) whatsoever, even if Belden has been advised of the possibility of such damages, whether in an action under contract, negligence or any other theory, arising out of or in connection with the use, or inability to use, the information or specifications described herein.

All sales of Belden products are subject to Belden's standard terms and conditions of sale.

Belden believes this product to be in compliance with all applicable environmental programs as listed in the data sheet. The information provided is correct to the best of Belden's knowledge, information and belief at the date of its publication. This information is designed only as a general guide for the safe handling, storage, and any other operation of the product itself or the one that it becomes a part of. The Product Disclosure is not to be considered a warranty or quality specification. Regulatory information is for guidance purposes only. Product users are responsible for determining the applicability of legislation and regulations based on their individual usage of the product.