



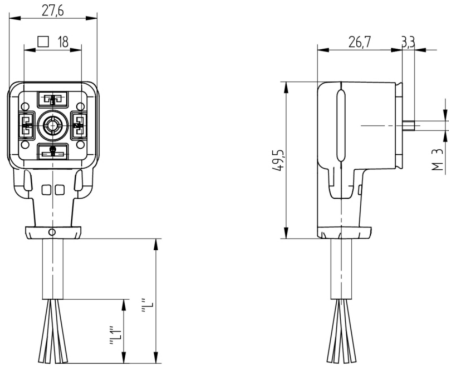
**Product:** [GAN3ZLU-A0U-610](#)

GAN - Molded Female Cordset, Form A, Contacts: 3+PE (PE at 6 o'clock), without Protective Circuit or LED, 250 V | 10 A, IP67; PVC Grey, 4x0.75mm<sup>2</sup> (18AWG); cURus 2238

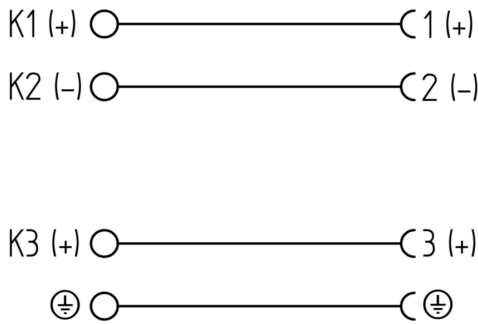
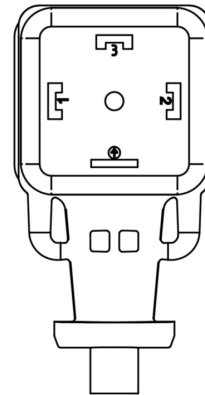
**Product Description**

175301-803-A (DIN 436250-A): Single-Ended Female Cordset, Contacts: 3+PE (PE at cable outlet), without Protective Circuit or LED, 250 V | 10 A, IP67; Cable: PVC Grey, IEC, 4x0.75mm<sup>2</sup> (18AWG); cURus 2238

**Technical Drawing**



GAN3Z



**Technical Specifications**

**Product Life Cycle**

Availability:	Active
---------------	--------

**Face View**

Pin 1	Pin 2	Pin 3	PE
brown	blue	black	green-yellow

## Technical Data

Product Family:	Valve Connectors
Product Sub Family:	GAN - cURus 2238
Brand:	Hirschmann
Connector Type:	Cordset, single ended
Type of Contact / Gender:	Female
Connector Design:	Angled
Number of Pins:	3+PE (PE at cable outlet)
Coding:	A
Shielding:	Unshielded
Attachment Type:	Central Screw
Rated Voltage:	250 V
Rated Impulse Voltage:	4.0 kV
Operating Voltage:	230 V AC/DC
Rated Current*:	10 A
Contact Resistance:	≤ 10 mOhm
Insulation Resistance:	> 10 <sup>9</sup> Ohm
Mating Cycles:	≤ 50
Ambient Temperature (Operation)*:	-25 °C - +85 °C [Extended Temperature -40 °C - +105 °C with additional gasket accessory, 934887001]
Protection Degree / IP Rating**:	IP65, IP67*
Design Standard:	DIN EN 175301-803-A, ISO 4400
Pollution Degree:	3 acc. to DIN EN 60664-1 (VDE 0110-1)
Clearance / Creepage Distance:	DIN EN 60664-1 (2008/01); VDE 0110-1
Overvoltage Category:	III acc. to DIN EN 60664-1 (VDE 0110-1)

## Materials

Contact Base Material:	CuZn
Contact Plating:	Cu/Sn
Contact Bearer Material:	PA GF
Contact Bearer Color:	black
Flammability Class (Contact Bearer):	UL 94 V-0
Molded Body Material:	TPE
Molded Body Color:	Grey translucent
Flammability Class (Molded Body):	UL 94 HB
Attachment Material:	Steel, Philips combi slot
Gasket Material:	Molded Integrated Gasket

## Additional Technical Data

Fastening Torque (Attachment):	(50-60) Ncm
Accessories to Order Separately:	934887001 - GAN EPDM gasket and holding clip

## Cable Data

Cable Number:	610
Conductor Size:	0.75 mm <sup>2</sup>
Number of Wires:	4
Minimal Bending Radius (Fixed Inst):	> 4 x D
Minimal Bending Radius (Flexible Inst):	> 10 x D
Conductor material:	Cu
Cable Jacket Material:	PVC
Cable Jacket Color:	grey RAL 7001
Cable Diameter D:	ø 6.20 ± 0.20 mm
Wire Insulation Material:	PVC
Ambient Temperature (Fixed Installation):	- 40 °C - + 90 °C
Ambient Temperature (Flex Installation):	- 5 °C - + 90 °C
Flammability Class (Cable Jacket):	IEC 60332-1, DIN VDE 0472 Teil 904 test method B
Cable Characteristics:	Exclusion of dangerous materials acc. : 2000/53/EG, 2011/65/EU, 2003/11/EG, 1907/2006/EG

## Approvals

UL-File:	E315587
UL:	UL 2238; cURus
VDE:	yes

## Safety & Environmental Compliance

RoHS Compliant:	yes
-----------------	-----

## Resistances

Halogenfree:	no
Oil Resistance:	VDE 0250 and 0472

## Notes

Note Derating:	Notice derating
Protection Degree / IP Rating Note:	*IP Rating test performed by Belden with Belden Connectors only
Note:	1. Do not connect or disconnect under load. 2. Extended temperature range of -40°C performed by Belden in mated condition using EPDM gasket accessory.

## Variants

Item #	Item Description	Cable Length	Replacement For
934889080	GAN3ZLU-A0U-6100500-1UC	5 m	ID: 934562076 Name: GAN-DAEF7A-AH0500C1-XC607-AC

© 2025 Belden, Inc

All Rights Reserved.

Although Belden makes every reasonable effort to ensure their accuracy at the time of this publication, information and specifications described here in are subject to error or omission and to change without notice, and the listing of such information and specifications does not ensure product availability.

Belden provides the information and specifications herein on an "ASIS" basis, with no representations or warranties, whether express, statutory or implied. In no event will Belden be liable for any damages (including consequential, indirect, incidental, special, punitive, or exemplary damages) whatsoever, even if Belden has been advised of the possibility of such damages, whether in an action under contract, negligence or any other theory, arising out of or in connection with the use, or inability to use, the information or specifications described herein.

All sales of Belden products are subject to Belden's standard terms and conditions of sale.

Belden believes this product to be in compliance with all applicable environmental programs as listed in the data sheet. The information provided is correct to the best of Belden's knowledge, information and belief at the date of its publication. This information is designed only as a general guide for the safe handling, storage, and any other operation of the product itself or the one that it becomes a part of. The Product Disclosure is not to be considered a warranty or quality specification. Regulatory information is for guidance purposes only. Product users are responsible for determining the applicability of legislation and regulations based on their individual usage of the product.