



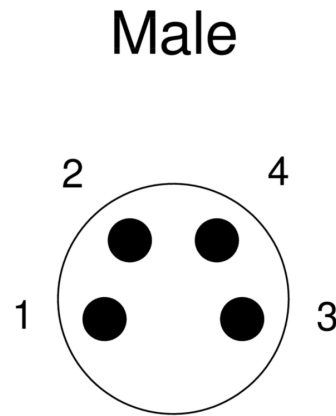
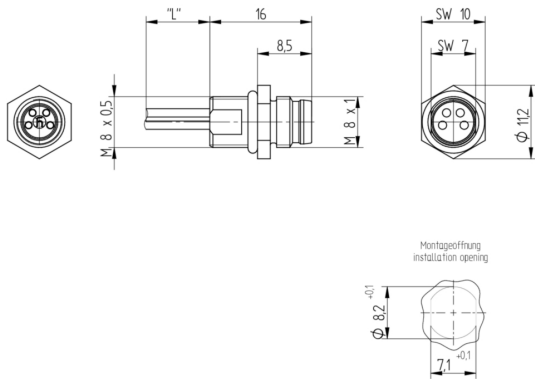
**Product:** [ELST 4408 RV FM 805](#)

M8 Standard Sensor/Actuator Receptacle Connector: Male, front mount, M8 - mating side, stranded wires - connecting side, 4-pin, A-coded, unshielded, metallic grey housing, 30 V AC/DC, 4 A

**Product Description**

M8 Standard Sensor/Actuator Receptacle Connector: Male, front mount, M8 - mating side, stranded wires - connecting side, 4-pin, A-coded, unshielded, metallic grey housing, 30 V AC/DC, 4 A

**Technical Drawing**



**Technical Specifications**

**Face View**

Pin 1	Pin 2	Pin 3	Pin 4
brown	white	blue	black

**Technical Data**

Product Family:	Sensor / Actuator Connectors
Product Sub Family:	M8 Standard
Mating Side:	M8
Connecting Side:	Stranded Wires
Brand:	Hirschmann
Connector Type:	Receptacle
Type of Contact / Gender:	Male
Connector Design:	Front Mount
Number of Pins:	4
Coding:	A
Shielding:	Unshielded
Attachment Type:	Snap- and Screw-Locking
Rated Voltage:	30 V
Rated Impulse Voltage:	0.8 kV
Operating Voltage:	30 V AC/DC
Rated Current*:	4 A

Contact Resistance:	≤ 10 mOhm
Insulation Resistance:	> 10 <sup>9</sup> Ohm
Mating Cycles:	≤ 100
Type of Connection:	Solder
Thread Size:	M8x0.5
Ambient Temperature (Operation)*:	- 25 °C - + 90 °C
Protection Degree / IP Rating**:	IP67, IP68 (1 m / 24 h)
Design Standard:	IEC 61076-2-104
Pollution Degree:	3 acc. to DIN EN 60664-1 (VDE 0110-1)
Overvoltage Category:	III acc. to DIN EN 60664-1 (VDE 0110-1)

## Materials

Contact Base Material:	CuZn
Contact Plating:	Cu/Au
Contact Bearer Material:	PA
Contact Bearer Color:	Black
Flammability Class (Contact Bearer):	UL 94 V-2
Potted:	Yes
Housing Material:	CuZn
Housing Plating:	Cu/Ni
Housing Color:	Silver
Attachment Material:	CuZn
Attachment Plating:	Cu/Ni
O-Ring Material:	NBR

## Additional Technical Data

Fastening Torque (Attachment):	M 8x1: 30 Ncm, hand-tight
Accessories to Order Separately:	000-011-644 Mounting Nut M8

## Cable Data

Conductor Size:	0.25 mm <sup>2</sup>
Number of Wires:	4
Conductor material:	Cu
Wire Insulation Material:	PVC
Insulated Wire Diameter:	ø 1.3 mm
Ambient Temperature (Fixed Installation):	- 30 °C - + 70 °C
Ambient Temperature (Flex Installation):	- 5 °C - + 70 °C
Flammability Class (Cable Jacket):	IEC 60332-1; EN 50265, IEC 60332-2
Core Colors:	black, blue, brown, white

## Safety & Environmental Compliance

RoHS Compliant:	yes
-----------------	-----

## Notes

Note Derating:	* Notice derating
Protection Degree / IP Rating Note:	* only if mounted and locked in combination with Hirschmann / Lumberg connector. On the installation side tightness has to be assured by taking proper measures.

## Variants

Item #	Item Description	Cable Length
933147001	ELST 4408 RV FM 805	0.5 m

© 2024 Belden, Inc

All Rights Reserved.

Although Belden makes every reasonable effort to ensure their accuracy at the time of this publication, information and specifications described here in are subject to error or omission and to change without notice, and the listing of such information and specifications does not ensure product availability.

Belden provides the information and specifications herein on an "ASIS" basis, with no representations or warranties, whether express, statutory or implied. In no event will Belden be liable for any damages (including consequential, indirect, incidental, special, punitive, or exemplary damages) whatsoever, even if Belden has been advised of the possibility of such damages, whether in an action under contract, negligence or any other theory, arising out of or in connection with the use, or inability to use, the information or specifications described herein.

All sales of Belden products are subject to Belden's standard terms and conditions of sale.

Belden believes this product to be in compliance with all applicable environmental programs as listed in the data sheet. The information provided is correct to the best of Belden's knowledge, information and belief at the date of its publication. This information is designed only as a general guide for the safe handling, storage, and any other operation of the product itself or the one that it becomes a part of. The Product Disclosure is not to be considered a warranty or quality specification. Regulatory information is for guidance purposes only. Product users are responsible for determining the applicability of legislation and regulations based on their individual usage of the product.

