



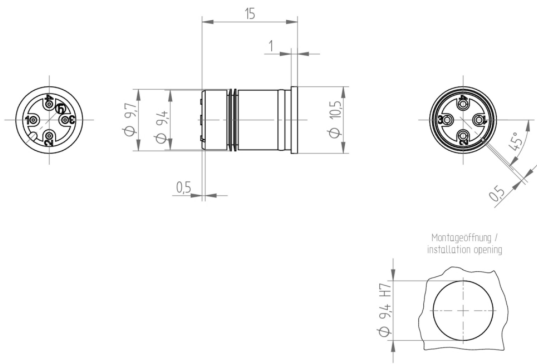
Product: [ELST 400/12 093 Au](#)

M12 Insert Sensor/Actuator Receptacle Connector: Male, insert with ribs, M12 - mating side, solder contacts - connecting side, 4-pin, A-coded, unshielded, grey body, 150 V AC/DC, 4 A

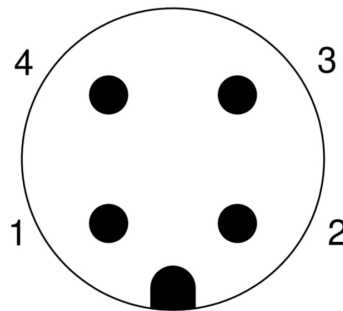
Product Description

M12 Insert Sensor/Actuator Receptacle Connector: Male, insert with ribs, M12 - mating side, solder contacts - connecting side, 4-pin, A-coded, unshielded, grey body, 150 V AC/DC, 4 A

Technical Drawing



Male



Technical Specifications

Technical Data

Product Family:	Sensor / Actuator Connectors
Product Sub Family:	M12 Insert
Mating Side:	M12
Connecting Side:	Solder Contacts
Brand:	Hirschmann
Connector Type:	Receptacle
Type of Contact / Gender:	Male
Connector Design:	Insert with Ribs
Number of Pins:	4
Coding:	A
Rated Voltage:	150 V
Rated Impulse Voltage:	1.5 kV
Operating Voltage:	150 V AC/DC
Rated Current*:	4 A
Contact Resistance:	≤ 10 mOhm
Insulation Resistance:	> 10 ⁹ Ohm
Mating Cycles:	≤ 100
Type of Connection:	Solder

Suitable Conductor Cross Section:	Solid wires: 0.22 mm ² to 0.5 mm ² / Standed wires: 0.22 mm ² to 0.38 mm ²
Ambient Temperature (Operation)*:	- 25 °C - + 90 °C
Protection Degree / IP Rating**:	IP65, IP67
Design Standard:	In style of IEC 61076-2-101
Pollution Degree:	3 acc. to DIN EN 60664-1 (VDE 0110-1)
Clearance / Creepage Distance:	DIN EN 60664-1 (2008/01); VDE 0110-1
Overvoltage Category:	II acc. to DIN EN 60664-1 (VDE 0110-1)

Materials

Contact Base Material:	CuZn
Contact Plating:	Cu/Au
Contact Bearer Material:	PA
Contact Bearer Color:	Grey
Flammability Class (Contact Bearer):	UL 94 V-2
Potted:	No

Safety & Environmental Compliance

RoHS Compliant:	yes
-----------------	-----

Notes

Note Derating:	* Notice derating
Protection Degree / IP Rating Note:	* only if mounted and locked in combination with Hirschmann / Lumberg connector. On the installation side tightness has to be assured by taking proper measures.
Note:	The receptacle connector is constructively intended for usage in IP67-products. To realise this protection class, the estimated location has to be designed accordingly. Further details see IEC 61076-2-101.

Variants

Item #	Item Description
932440106	ELST 400/12 093 Au

© 2024 Belden, Inc

All Rights Reserved.

Although Belden makes every reasonable effort to ensure their accuracy at the time of this publication, information and specifications described here in are subject to error or omission and to change without notice, and the listing of such information and specifications does not ensure product availability.

Belden provides the information and specifications herein on an "ASIS" basis, with no representations or warranties, whether express, statutory or implied. In no event will Belden be liable for any damages (including consequential, indirect, incidental, special, punitive, or exemplary damages) whatsoever, even if Belden has been advised of the possibility of such damages, whether in an action under contract, negligence or any other theory, arising out of or in connection with the use, or inability to use, the information or specifications described herein.

All sales of Belden products are subject to Belden's standard terms and conditions of sale.

Belden believes this product to be in compliance with all applicable environmental programs as listed in the data sheet. The information provided is correct to the best of Belden's knowledge, information and belief at the date of its publication. This information is designed only as a general guide for the safe handling, storage, and any other operation of the product itself or the one that it becomes a part of. The Product Disclosure is not to be considered a warranty or quality specification. Regulatory information is for guidance purposes only. Product users are responsible for determining the applicability of legislation and regulations based on their individual usage of the product.