



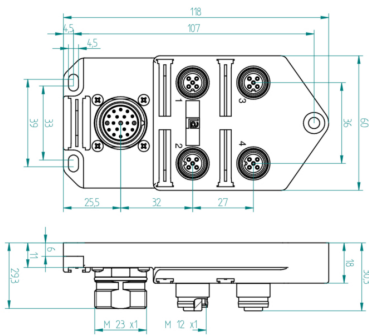
**Product:** [ASBS 4/LED 5-4](#)

ASB with FIXCON connector, 4 ports, LED, M23 connection

**Product Description**

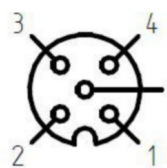
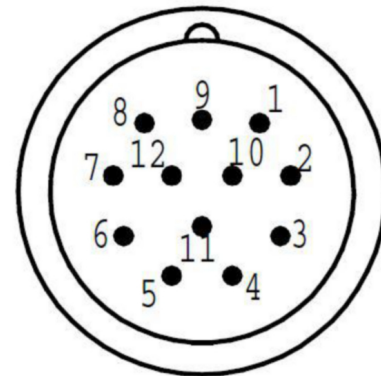
ASB with FIXCON connector, 4 ports, LED, M23 connection

**Technical Drawing**

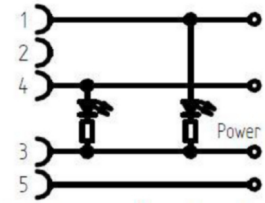


Kontaktbelegung | wiring diagram  
affectation des contacts

- 1/4 = 1
- 2/4 = 2
- 3/4 = 3
- 4/4 = 4
  
- + = 11
- = 9+10
- Earth = 12



Pin	Function
1	+
2	n.c.
3	-
4	Signal
5	Earth



LED Signal: gelb, yellow, jaune  
LED Power : grün, green, vert

**Technical Specifications**

**Product Description**

Brand:	Belden
Product Sub Family:	Classic
Item Description:	ASBS 4/LED 5-4
I/O Connection:	M12, 5/4-poles, A-coded
Number of Ports:	4
I/O Wiring Configuration:	single I/O per port
Control Cable Interface:	M23, 12-poles

**General Data**

Housing Material:	Plastic, TPU
-------------------	--------------

Housing Color:	Orange
Protection Degree / IP Rating**:	IP67
Potted:	Yes
Dimensions (W x H x D):	60 mm x 30,3 mm x 118 mm
Ambient Temperature (Operation)*:	-15 °C to 80 °C
Pollution Degree:	3 acc. to EN 60664-1, VDE 0110-1
Contact Base Material:	CuZn
Contact Bearer Material:	PA
O-Ring Material:	FKM
Fastening Torque (I/O Connection):	M12: 0.5 Nm

## Power Supply

Status Indicator (System Supply):	LED green
Actuator Supply Voltage (Nominal):	24 V DC (SELV/PELV)
Actuator Supply Voltage (Range):	10 V DC to 30 V DC

## Digital Input Channels

Input Wiring:	2-, 3-, 4-wire
Sensor Type:	PNP

## Digital Output Channels

Output Wiring:	2-, 3-wire
Galvanically Isolated:	No

## Port Channels

Current per Connector:	max. 1,5 A
Current per Module:	max. 1,5 A
Status Indicator (Port):	LED yellow per channel

## Safety & Environmental Compliance

CE:	Yes
RoHS Compliant:	Yes
China RoHS-Compliant:	Yes

## Approvals

UL:	cULus Listed, UL 508
UL-File:	E104696
CSA:	Yes, via UL

## Notes

Protection Degree / IP Rating Note:	** only if mounted and locked in combination with Hirschmann / Lumberg Automation connector.
System Power Supply Connection Note:	*do not connect / disconnect under voltage!

## Variants

Item #	Item Description
11126	ASBS 4/LED 5-4

Update and Revision:	Revision Number: 0.27 Revision Date: 03-04-2023
----------------------	---

© 2024 Belden, Inc

All Rights Reserved.

Although Belden makes every reasonable effort to ensure their accuracy at the time of this publication, information and specifications described here in are subject to error or omission and to change without notice, and the listing of such information and specifications does not ensure product availability.

Belden provides the information and specifications herein on an "ASIS" basis, with no representations or warranties, whether express, statutory or implied. In no event will Belden be liable for any damages (including consequential, indirect, incidental, special, punitive, or exemplary damages) whatsoever, even if Belden has been advised of the possibility of such damages, whether in an action under contract, negligence or any other theory, arising out of or in connection with the use, or inability to use, the information or specifications described herein.

All sales of Belden products are subject to Belden's standard terms and conditions of sale.

Belden believes this product to be in compliance with all applicable environmental programs as listed in the data sheet. The information provided is correct to the best of Belden's knowledge, information and belief at the date of its publication. This information is designed only as a general guide for the safe handling, storage, and any other operation of the product itself or the one that it becomes a part of. The Product Disclosure is not to be considered a warranty or quality specification. Regulatory information is for guidance purposes only. Product users are responsible for determining the applicability of legislation and regulations based on their individual usage of the product.