



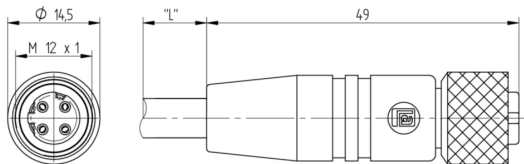
Product: [0985 508 127](#)

Fast Ethernet Cat5e Data Single-Ended Cordset: M12 Railway, female, straight, 4-pin, D-coded, shielded, black body, 50 V AC / 60 V DC, 4 A; X-FRNC black cable, 4-wires, 0.34 mm²

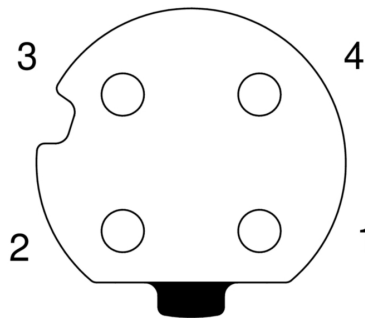
Product Description

Fast Ethernet Cat5e Data Single-Ended Cordset: M12 Railway, female, straight, 4-pin, D-coded, shielded, black body, 50 V AC / 60 V DC, 4 A; X-FRNC black cable, 4-wires, 0.34 mm²

Technical Drawing



Female



Technical Specifications

Face View

Pin 1	Pin 2	Pin 3	Pin 4
yellow	white	orange	blue

Technical Data

Product Family:	Data Connectors
Side 1 Product Sub Family:	M12 Railway
Brand:	Lumberg Automation
Connector Type:	Cordset, single ended
Side 1 Type of Contact/Gender:	Female
Connector Design:	Straight
Number of Pins:	4
Coding, Side 1:	D
Shielding Type:	Shielded
Attachment Type:	Coupling Nut
Voltage Rating:	60 V
Rated Impulse Voltage:	1.5 kV
Operating Voltage:	50 V AC / 60 V DC
Current Rating:	4 A
Data Transmission Type:	Fast Ethernet Cat5e
Data Transmission Rate:	100 Mbit/s

Side 1 Contact Resistance:	≤ 10 mOhm
Insulation Resistance:	> 10 ⁹ Ohm
Mating Cycles:	≤ 100
Ambient Temperature (Operation)*:	- 40 °C - + 90 °C
Protection Degree / IP Rating**:	IP65, IP67, IP69K
Side 1 Design Standard:	IEC 61076-2-101
Side 1 Pollution Degree:	3 acc. to DIN EN 60664-1 (VDE 0110-1)
Overtoltage Category:	III acc. to DIN EN 60664-1 (VDE 0110-1)

Materials

Contact Base Material:	CuSn
Side 1 Contact Plating:	Cu/Au
Contact Bearer Material:	PBT
Contact Bearer Color:	Black
Flammability Class (Contact Bearer):	UL 94 HB
Molded Body Material:	PA
Molded Body Color:	Black
Flammability Class (Molded Body):	UL 94 V-0
Attachment Material:	CuZn
Attachment Plating:	Nickel-plated
Shielding Material:	CuZn, tin-plated

Additional Technical Data

Fastening Torque (Attachment):	M 12x1: (50-60) Ncm, hand-tight
--------------------------------	---------------------------------

Cable Data

Cable Number:	508
Conductor Size:	0.34 mm ²
Number of Wires:	4
Minimal Bending Radius (Fixed Inst):	> 10 x D
Minimal Bending Radius (Flexible Inst):	> 5 x D
Conductor Material:	Cu
Cable Jacket Material:	X-FRNC
Cable Jacket Color:	black
Cable Diameter D:	ø 6.70 ± 0.30 mm
Wire Insulation Material:	Polyolefin
Insulated Wire Diameter:	ø 1.63 ± 0.05 mm
Overall Shield (Cable):	Cu-ETP1 tinned
Foil shield:	Al-PT Foil
Ambient Temperature (Fixed Installation):	- 40 °C - + 90 °C
Ambient Temperature (Flex Installation):	- 40 °C - + 90 °C
Ambient Temperature (Drag Chain Inst):	- 5 °C - + 50 °C
Flammability Class (Cable Jacket):	IEC 60332-1-2, EN50305, IEC60332-3-25 cat D; fire protection Railway vehicles: DIN 5510-2 protection level 1 to 4; CEN/TS 45545-2 HL1-HL3; smoke density acc. to DIN EN 61034-2, EN50268-2: T >70% ,toxicity (NF X70-100-1): CITc < 0.7
Core Colors:	white, blue, yellow, orange

Safety & Environmental Compliance

RoHS Compliant:	yes
-----------------	-----

Resistances

Halogenfree:	IEC 60754-1, EN 50267-1-2, HCL < 0.4%
Rail:	Yes
Oil Resistance:	IEC 60811-2-1, EN 50306 par 4.8, EN 50306 par 4.9, EN 50306 par 4.10

Notes

Note Derating:	Notice derating
Protection Degree / IP Rating Note:	** only if mounted and locked in combination with Hirschmann / Lumberg Automation connector.
Note:	Do not connect or disconnect under load.

Variants

Item #	Item Description	Cable Length
12522	0985 508 127/0,75 M	0.75 m

© 2026 Belden, Inc

All Rights Reserved.

Although Belden makes every reasonable effort to ensure their accuracy at the time of this publication, information and specifications described here in are subject to error or omission and to change without notice, and the listing of such information and specifications does not ensure product availability.

Belden provides the information and specifications herein on an "ASIS" basis, with no representations or warranties, whether express, statutory or implied. In no event will Belden be liable for any damages (including consequential, indirect, incidental, special, punitive, or exemplary damages) whatsoever, even if Belden has been advised of the possibility of such damages, whether in an action under contract, negligence or any other theory, arising out of or in connection with the use, or inability to use, the information or specifications described herein.

All sales of Belden products are subject to Belden's standard terms and conditions of sale.

Belden believes this product to be in compliance with all applicable environmental programs as listed in the data sheet. The information provided is correct to the best of Belden's knowledge, information and belief at the date of its publication. This information is designed only as a general guide for the safe handling, storage, and any other operation of the product itself or the one that it becomes a part of. The Product Disclosure is not to be considered a warranty or quality specification. Regulatory information is for guidance purposes only. Product users are responsible for determining the applicability of legislation and regulations based on their individual usage of the product.