

Product: [0935 613 307](#) 



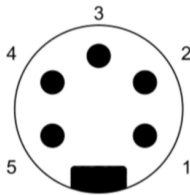
CANopen / DeviceNet, Cordset, single ended: 7/8", Male, Angled, 5 pole, with cable type, Grey, PVC, DeviceNet THICK

Product Description

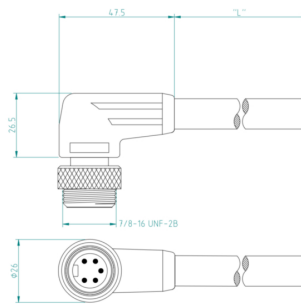
CANopen / DeviceNet, Cordset, single ended: 7/8", Male, Angled, 5 pole, with cable type, Grey, PVC, DeviceNet THICK

Technical Drawing

Faceview
MINI 7/8"
Male



- 1 = Cu
- 2 = RD
- 3 = BK
- 4 = WH
- 5 = BU



Technical Specifications

Technical Data

Product Family:	Data Connectors
Side 1 Product Sub Family:	7/8"
Brand:	Lumberg Automation
Connector Type:	Cordset, single ended
Side 1 Type of Contact/Gender:	Male
Connector Design:	Angled
Number of Pins:	5
Coding, Side 1:	A
Shielding Type:	Shielded
Attachment Type:	Coupling Screw with external threads
Voltage Rating:	300 V
Current Rating:	8 A

Data Transmission Type:	CANopen / DeviceNet
Ambient Temperature (Operation)*:	- 40 °C - + 90 °C
Protection Degree / IP Rating**:	IP65, IP67

Materials

Contact Base Material:	CuZn
Side 1 Contact Plating:	gold over silver plated
Contact Bearer Material:	TPU
Contact Bearer Color:	Yellow
Molded Body Material:	TPU
Molded Body Color:	Grey
Attachment Material:	Al, anodized black

Cable Data

Cable Number:	613
Number of Wires:	2 Pair + Drain
Minimal Bending Radius (Fixed Inst):	> 7 x D
Minimal Bending Radius (Flexible Inst):	> 10 x D
Cycles (Bending):	> 1 M
Cable Jacket Material:	PVC
Cable Jacket Color:	Grey
Cable Diameter D:	Ø 12.1 mm
Wire Insulation Material:	PVC-Power, Data-PE
Insulated Wire Diameter:	Power Ø2.77 mm, Data Ø3.81 mm
Overall Shield (Cable):	Braid, TC, 65% Coverage
Ambient Temperature (Fixed Installation):	- 20 to + 60°C (60°C UL)
UL Cable Type:	CMG, PLTC-ER or UL AWM 20201, CSA AWM I/II A/B
Flammability Class (Cable Jacket):	FT4, IEC 60332-1-2
Cable Characteristics:	Mechanical Resistances, Abrasion, Impact, Weathering; Chemical Resistances to Oils, Acids, Alkalis

Safety & Environmental Compliance

RoHS Compliant:	Yes
-----------------	-----

Resistances

Oil Resistance:	Yes
-----------------	-----

Notes

Note Derating:	Notice derating
Protection Degree / IP Rating Note:	Protection Degree and IP Rating per test standard IEC 60529 using a Lumberg Automation mating product

Variants

Item #	Item Description	Cable Length
900004293	0935 613 307/0.3M	0.3 m
900004294	0935 613 307/1M	1 m
900004295	0935 613 307/2M	2 m
900004296	0935 613 307/3M	3 m
900004297	0935 613 307/5M	5 m
900004298	0935 613 307/10M	10 m

© 2026 Belden, Inc

All Rights Reserved.

Although Belden makes every reasonable effort to ensure their accuracy at the time of this publication, information and specifications described here in are subject to error or omission and to change without notice, and the listing of such information and specifications does not ensure product availability.

Belden provides the information and specifications herein on an "ASIS" basis, with no representations or warranties, whether express, statutory or implied. In no event will Belden be liable for any damages (including consequential, indirect, incidental, special, punitive, or exemplary damages) whatsoever, even if Belden has been advised of the possibility of such damages, whether in an action under contract, negligence or any other theory, arising out of or in connection with the use, or inability to use, the information or specifications described herein.

All sales of Belden products are subject to Belden's standard terms and conditions of sale.

Belden believes this product to be in compliance with all applicable environmental programs as listed in the data sheet. The information provided is correct to the best of Belden's knowledge, information and belief at the date of its publication. This information is designed only as a general guide for the safe handling, storage, and any other operation of the product itself or the one that it becomes a part of. The Product Disclosure is not to be considered a warranty or quality specification. Regulatory information is for guidance purposes only. Product users are responsible for determining the applicability of legislation and regulations based on their individual usage of the product.