

# INSTALLATION INSTRUCTIONS

## Wall Mount Enclosure Series

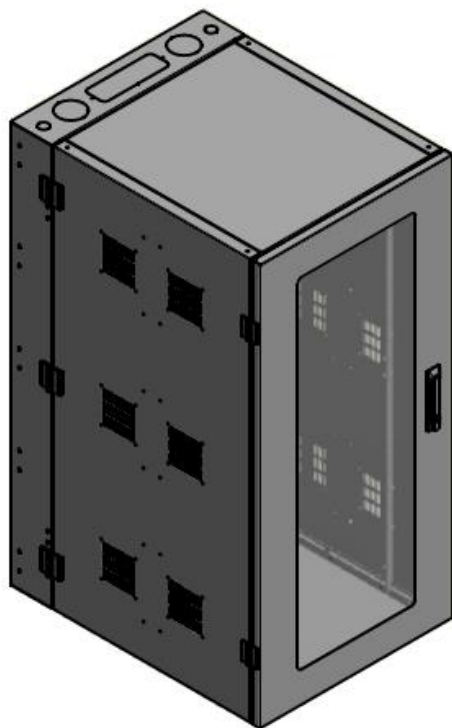


For your safety, upon receipt of your Wall Mount Enclosure, read this instruction sheet carefully before starting any installation and assembly.



## WARNING:

This Wall Mount Cabinet must be anchored securely to the wall. Due to the variety of wall substrate material, selection of anchor hardware is the responsibility of the installer. Anchoring and selection of hardware should be performed by qualified personnel only. Anchoring hardware should be a minimum of 3/8" diameter, with two additional upper 1/4" lag bolts



Instructions for the following Belden Enclosures:  
XHW SERIES WALLMOUNT



# BELDEN

SENDING ALL THE RIGHT SIGNALS

This product is UL listed and intended to house UL listed ITE, Audio or Video equipment and must be installed by a qualified professional. This unit is not intended for use as a fire enclosure.

**Maximum Load Capacity**  
**300 lbs**

# INSTALLATION INSTRUCTIONS

## Wall Mount Enclosure Series

### INSTALLATION INSTRUCTIONS:

**General** – The Equipment Cabinets are intended to be installed in accordance with the applicable requirements of the National Electrical Code and the local authorities having jurisdiction. The following instructions are provided or made available to the installer:

- ❑ This product is intended to house UL Listed ITE, Audio or Video equipment.
- ❑ This cabinet is intended for indoor use only; do not use as a fire enclosure or outdoors in any type of environments.
- ❑ For your safety, installation of any equipment housed in this cabinet should be by a qualified technician. All parts, metal plates, screws and bolts that are required to complete the assembly are provided with the Equipment Cabinet.
- ❑ The Ambient Operating Temperature range for the Ultra Server Enclosures and installed operating equipment is 0°- 60°C maximum. A proper cooling environment and ventilation should be used so that the temperature rating is not exceeded.
- ❑ Spacing – Minimum spacing between the Accessories and components and the Equipment Cabinet shall be maintained for safe operation of the equipment in accordance with the National Electric Code, ANSI/NFPA 70-2008.
- ❑ Assembly instructions have been provided to prevent the installer from committing an act that in itself may result in the risk of injury to person, fire or electric shock.
- ❑ When installing equipment, all heavy equipment should be installed at the bottom of the cabinet with lighter equipment being installed higher in the cabinet. When equipment applications are top-heavy or when heavy loads are regularly extended on sliding shelves, you will need to anchor the cabinet directly to the floor.
- ❑ Component Servicing – These units should be repaired by personnel trained by the manufacturer, or returned to the manufacturer for repair or replacement.

# INSTALLATION INSTRUCTIONS

## Wall Mount Enclosure Series

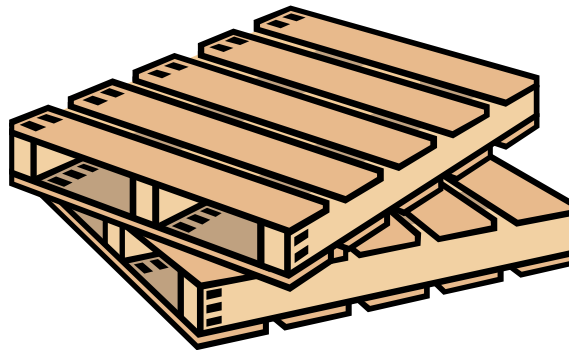


**BEFORE UN-PACKAGING YOUR WALL MOUNT ENCLOSURE READ BELOW.**

THIS WALL MOUNT ENCLOSURE IS SHIPPED ASSEMBLED IN ONE PACKAGE, BANDED AND SHRUNK WRAPPED TO A SKID.

PLEASE MAKE SURE UPON RECEIPT OF DELIVERY THAT YOUR PACKAGING IS IN TACT. INSPECT THE PACKAGING FOR ANY NOTICEABLE DAMAGE. IF THERE IS DAMAGE, PLEASE NOTIFY THE FREIGHT CARRIER IMMEDIATELY TO FILE A DAMAGED FREIGHT CLAIM.

ONCE YOU HAVE INSPECTED THE PACKAGING FOR ANY DAMAGE; CAREFULLY REMOVE THE WRAPPING AND BANDING FROM THE SKID AND THE PACKAGING FROM AROUND YOUR WALL MOUNT ENCLOSURE.



# INSTALLATION INSTRUCTIONS

## Wall Mount Enclosure Series

### Determining Door Swing:

The wall mount enclosure series is shipped fully assembled. The cabinet is symmetrical and may be mounted with the hinges either on the right or left side. For ease of installation, the rear section can be removed by un-bolting all hinging locations using an 8mm socket.

**Step 1:** Determine which way the cabinet will open. In these instructions, the cabinet is set up to hinge on the left with the door swing open to the left. See Figure 1.

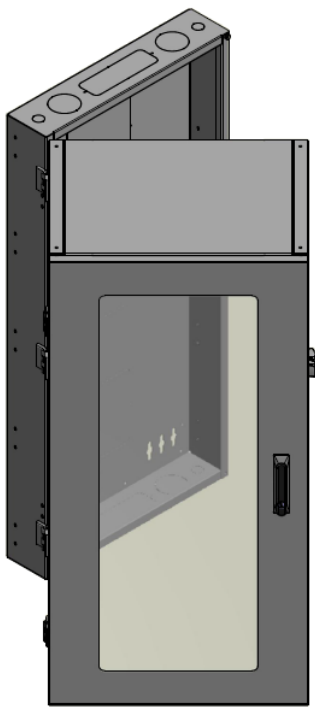


Figure 1

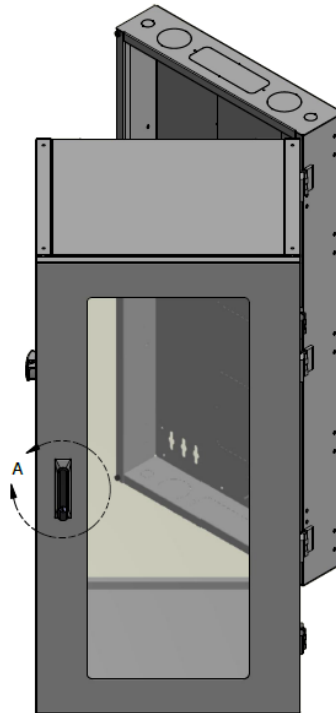
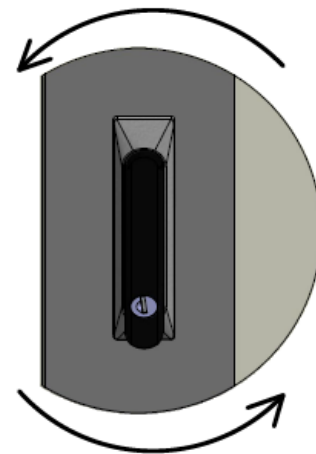


Figure 1.2



Detail "A"

**Note:** If you determine that you want the cabinet to hinge on the right (right swing open), you will need to turn the cabinet 180° so that your hinges are on the right hand side. See Figure 1.2. Also, the door handle must be removed by using a Phillips head screwdriver, turned 180° then re-installed. See Detail "A"

# INSTALLATION INSTRUCTIONS

## Wall Mount Enclosure Series

### Mounting Rear Section to wall



For safety measures, a qualified installer must evaluate the structural integrity of the wall before installation.

**Step 1:** Be sure that the wall or mounting surface has sufficient strength to support the cabinet and enclosed equipment. The mounting surface must be flat and extend beyond the cabinet top, bottom and sides.

**Step 2:** Drill pilot holes using dimensions shown in Figure 2 and apply the hardware to the appropriately chosen holes to support the entire weight of the enclosure and its planned load weight up to but not exceeding 300lbs. The rear section can then be hung to the wall using the appropriate keyhole slot in each corner. Once the rear section is leveled, the anchoring hardware may be tightened.

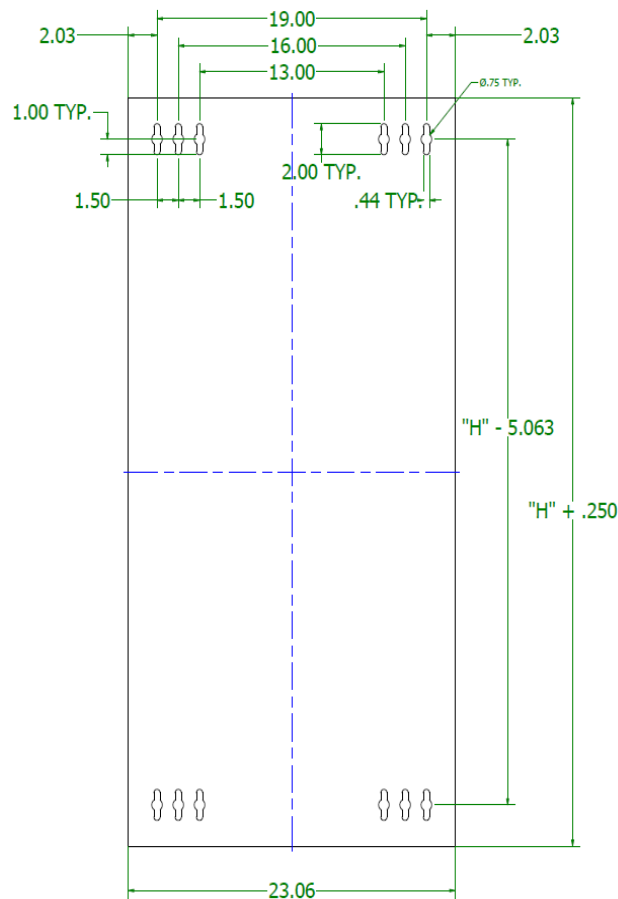


Figure 2

# INSTALLATION INSTRUCTIONS

## Wall Mount Enclosure Series

**\*OPTIONAL (PN XHWMBKT)**

If using optional wall mount bracket kit (PN XHWMBKT) see the following steps:

Step 1a: Install the enclosure bracket and bottom wall bracket to the back of the enclosure using the supplied hardware in the kit as shown in Figure 3.

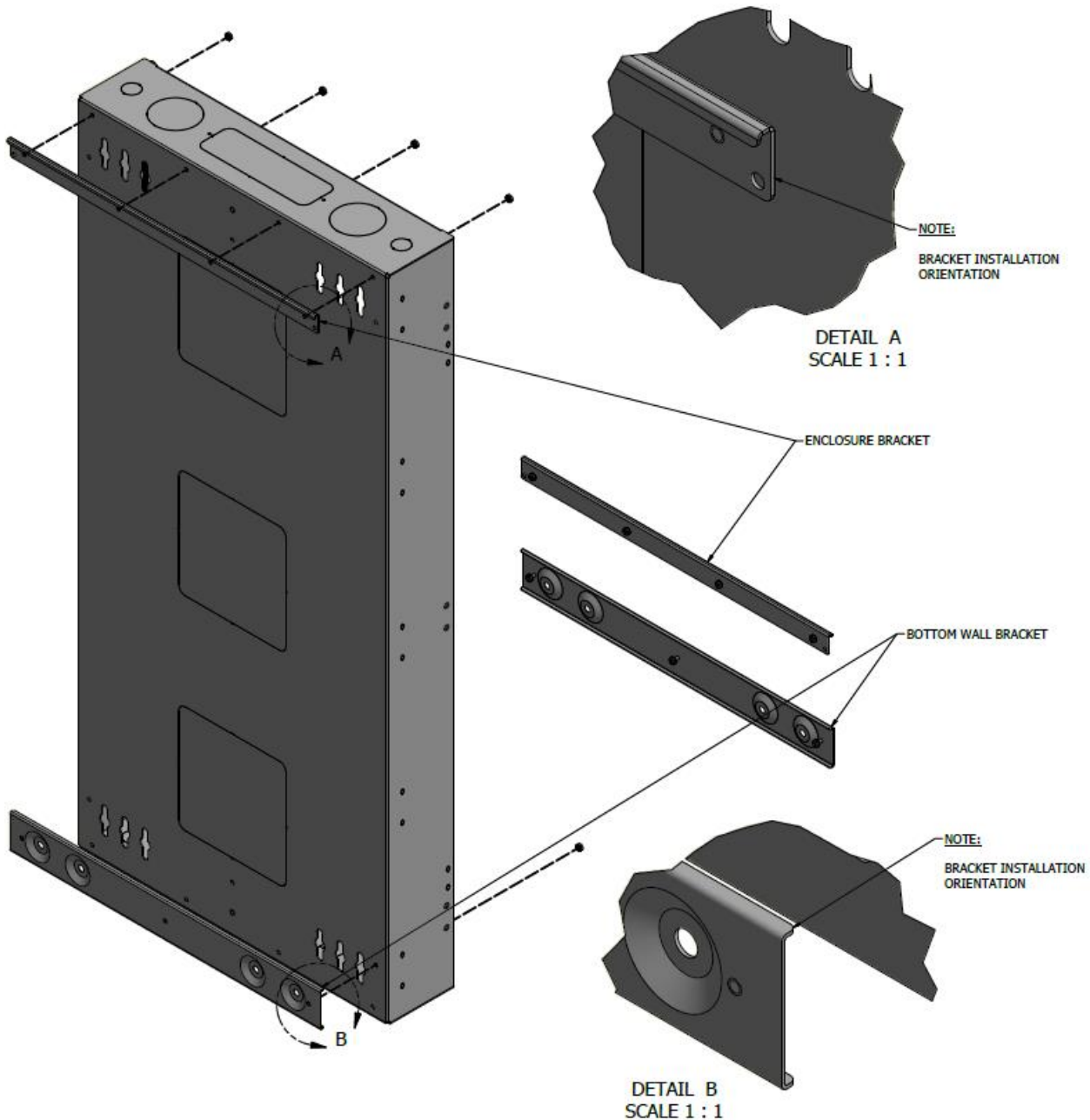


Figure 3

# INSTALLATION INSTRUCTIONS

## Wall Mount Enclosure Series

Step 2a: Drill pilot holes using dimensions shown in Figure 4 and apply the anchoring hardware (Not Included) to the appropriately chosen holes to support the entire weight of the rear section or enclosure (If Mid-Section & Door have not been removed) during installation. Once the top wall bracket is leveled, the anchoring hardware (Not Included) may be tightened.

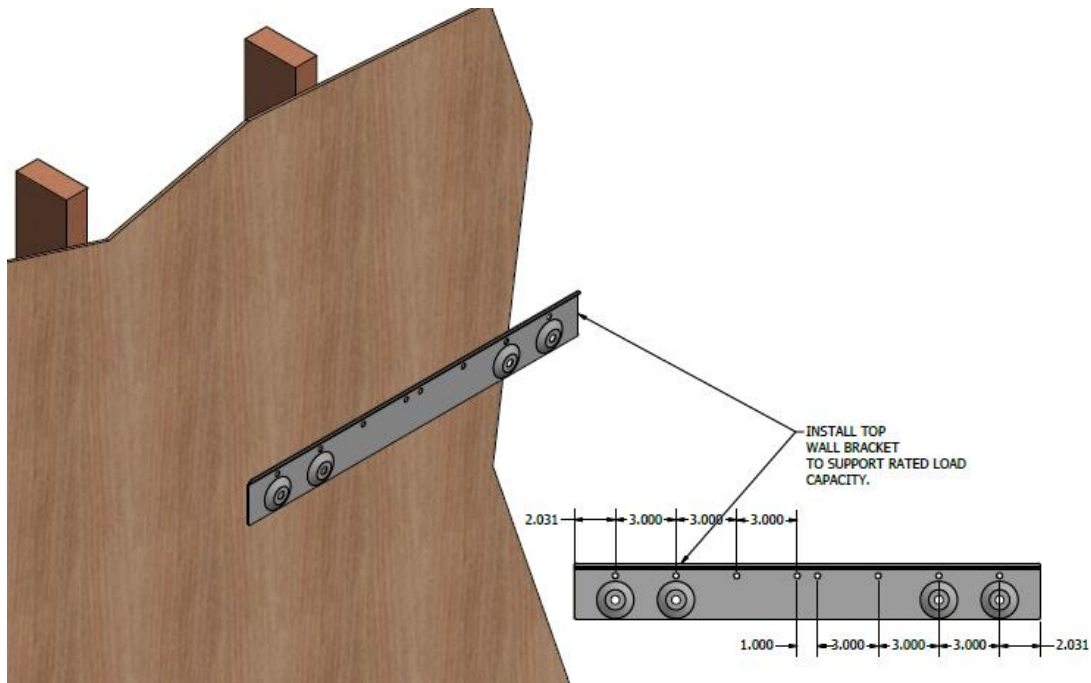


Figure 4

Step 3a: Now the rear section/enclosure can then be temporarily hung to the wall using the installed XHWMBKT kit as shown in Figure 5.

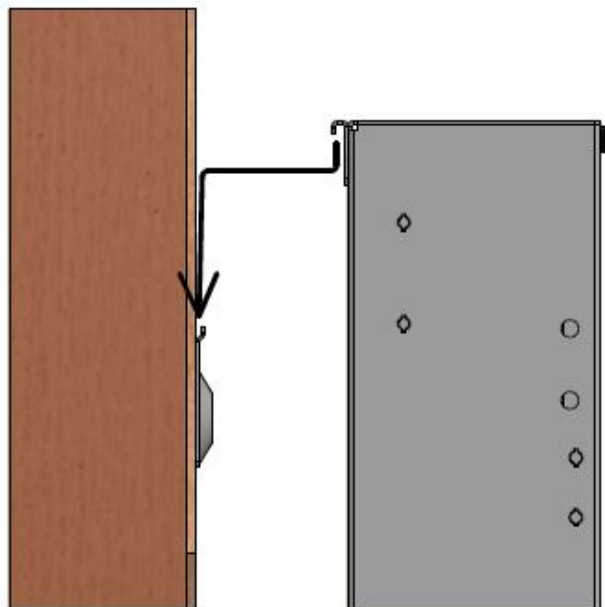


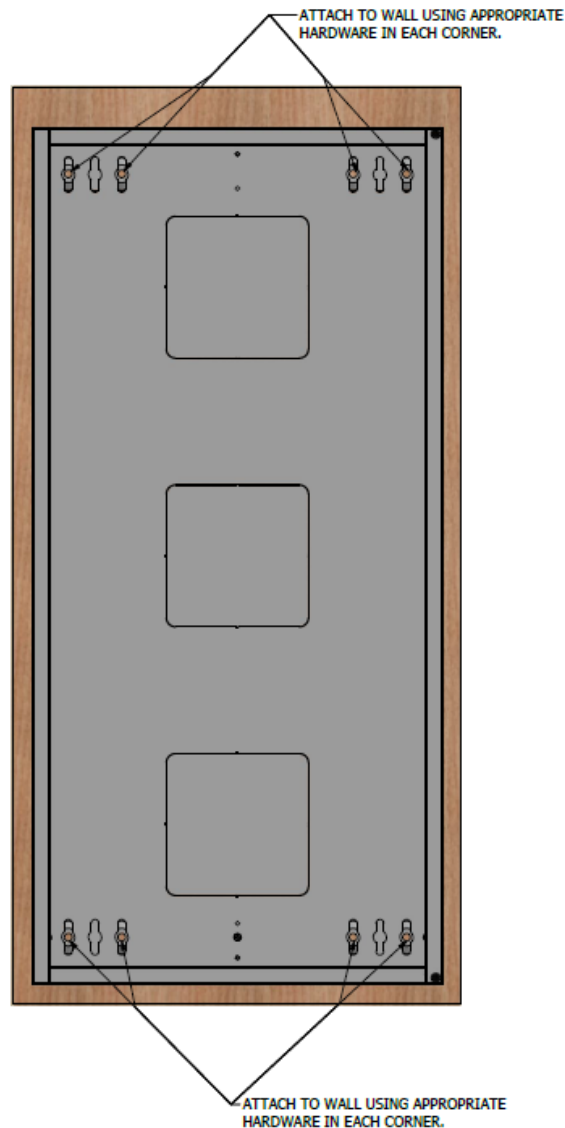
Figure 5

# INSTALLATION INSTRUCTIONS

## Wall Mount Enclosure Series

**Step 4a:** Be sure that the wall or mounting surface has sufficient strength to support the cabinet and enclosed equipment. The mounting surface must be flat and extend beyond the cabinet top, bottom and sides.

**Step 5a:** Drill pilot holes using the keyhole slots as location guides and apply the anchoring hardware (Not Included) to the four holes that will support the entire weight of the enclosure and its planned load weight up to but not exceeding 300lbs. See Figure 6. Once the rear section/enclosure is sure to be leveled, the anchoring hardware may be tightened.



**Figure 6**



# INSTALLATION INSTRUCTIONS

## Wall Mount Enclosure Series

**Note:** The Wall Mount Series is furnished with a variety of cable entrance/exit ports. Both the top and bottom of the cabinet have two (2) 3" diameter and one (1) 2.5"x 8.00" rectangle knockouts for cable access. Also, there are two (2) 1" diameter knockouts for conduit connections. Additionally, there is one (1) 8" square knockout on the rear surface in a 24" H enclosure or three (3) 8" square knockouts in a 48" H enclosure for wiring directly into the wall. See Figure 7.

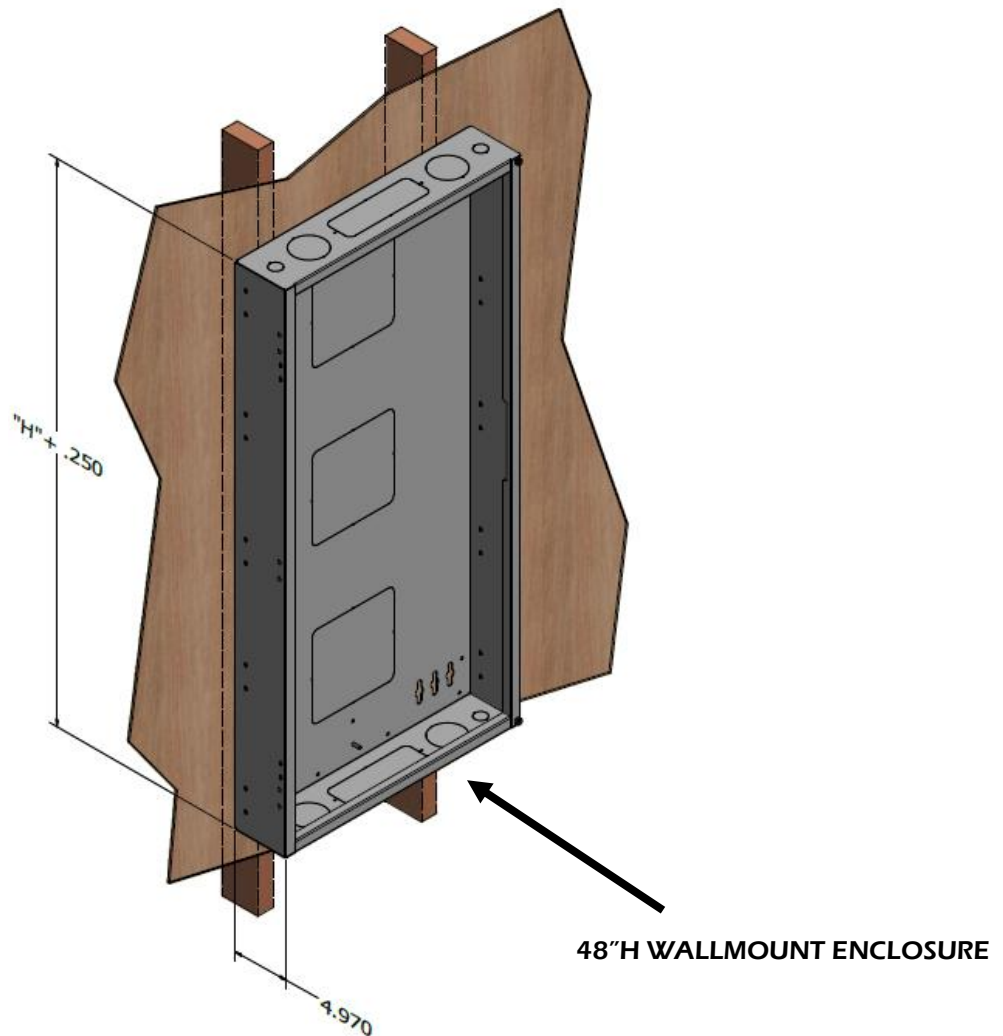


Figure 7

# INSTALLATION INSTRUCTIONS

## Wall Mount Enclosure Series

### Earth Grounding



The Wall Mount rear section is equipped with a 1/4-20 x 3/4" stud for attachment of earthing conductors. The conductor may be attached directly to this stud or an optional ground lug (not supplied) may be attached to this stud. The stud will be marked with a UL approved ground label for easy identification. In all cases, earthing conductors must be attached to the ground stud.

### Bonding

There are 10-32 bonding studs located in the front and rear corners of the mid section that align with bonding studs located in the corner of the door and the corner of the rear section.

Two bonding conductor kits (part # XBS-11-0001) are provided for wall mount enclosures ordered with a mid section, and one kit is provided for wall mount enclosures ordered without a mid section. Each kit includes a #6 gauge green insulated conductor 11" long with lugs on each end & mounting hardware. Also included is part #22512 Antioxidant Compound 5cc's for use with the XBS-11-0001. Follow the instructions provided in the bonding kit to properly attach one conductor between the door and mid section bonding studs and another conductor between the mid section and rear section bonding studs.

**You can now install your equipment.**