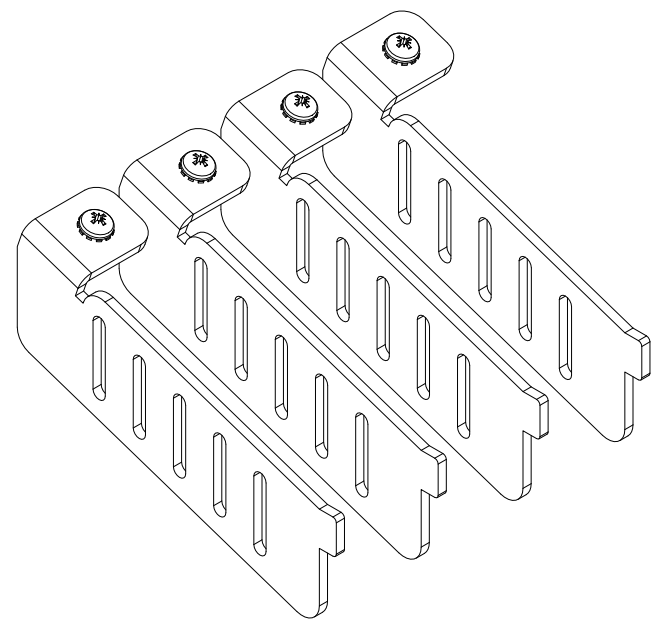


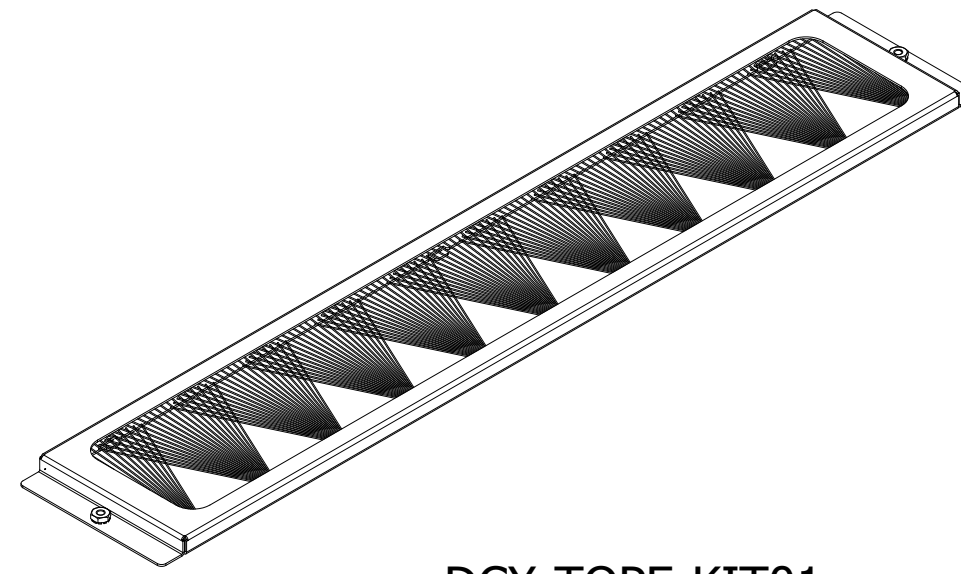
DCX-BOTE-KIT01



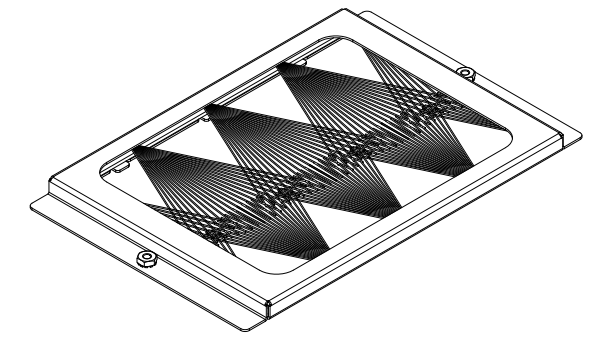
DCX-BOTE-KIT02

**DCX-BOTE-KITxx-yy**  
 xx - 01 - BRUSH  
 xx - 02 - (4) BRACKETS  
 yy - B - BLACK  
 yy - W - CENTRAL OFFICE WHITE

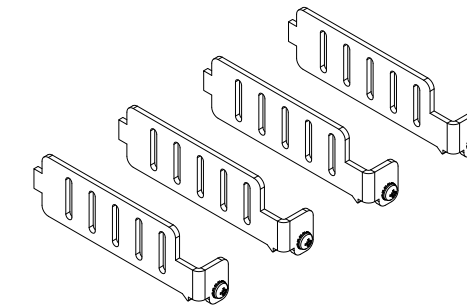
STANDARD BOTTOM PANELS



DCX-TOPE-KIT01



DCX-TOPE-KIT02

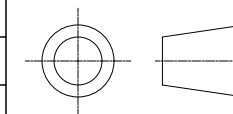


DCX-TOPE-KIT03

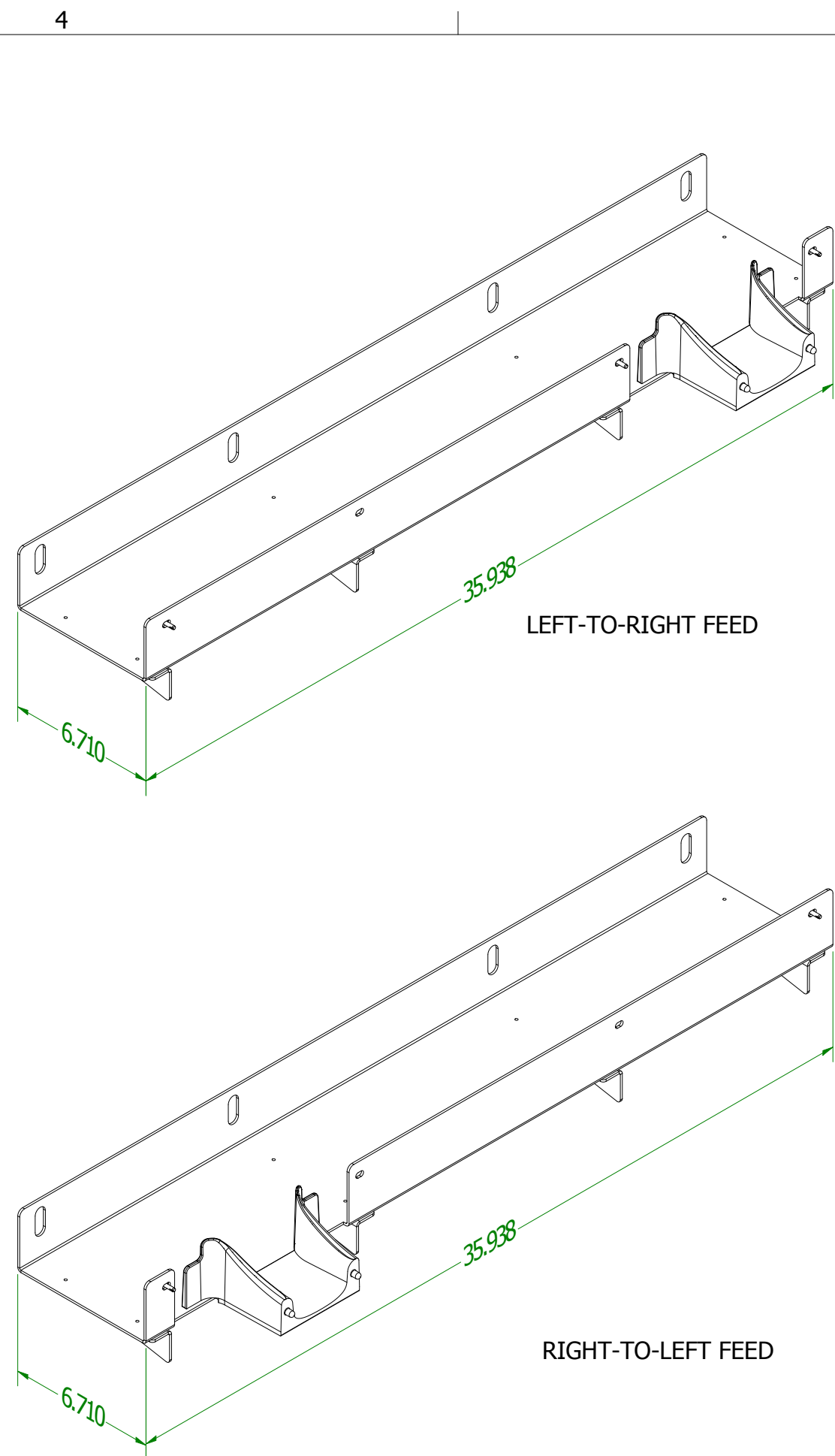
**DCX-TOPE-KITxx-yy**  
 xx - 01 - LARGE BRUSH FRAME  
 xx - 02 - SMALL BRUSH FRAME  
 xx - 03 - 4 BRACKETS  
 yy - B - BLACK  
 yy - W - CENTRAL OFFICE WHITE

STANDARD TOP PANELS

4	ADDED PATCH CORD BRIDGE - SH2	RCG	3/26/20
3	ADDED TELESCOPIC SPOOL	RCG	3/12/20
	MODIFIED DCX-CABV-KIT01B DESCRIPTION - SH3		
2	UPDATED DWG VIEWS / DESCRIPTIONS - SH2	RCG	3/11/20
1	ADDED SHEET 4	RCG	2/2/20



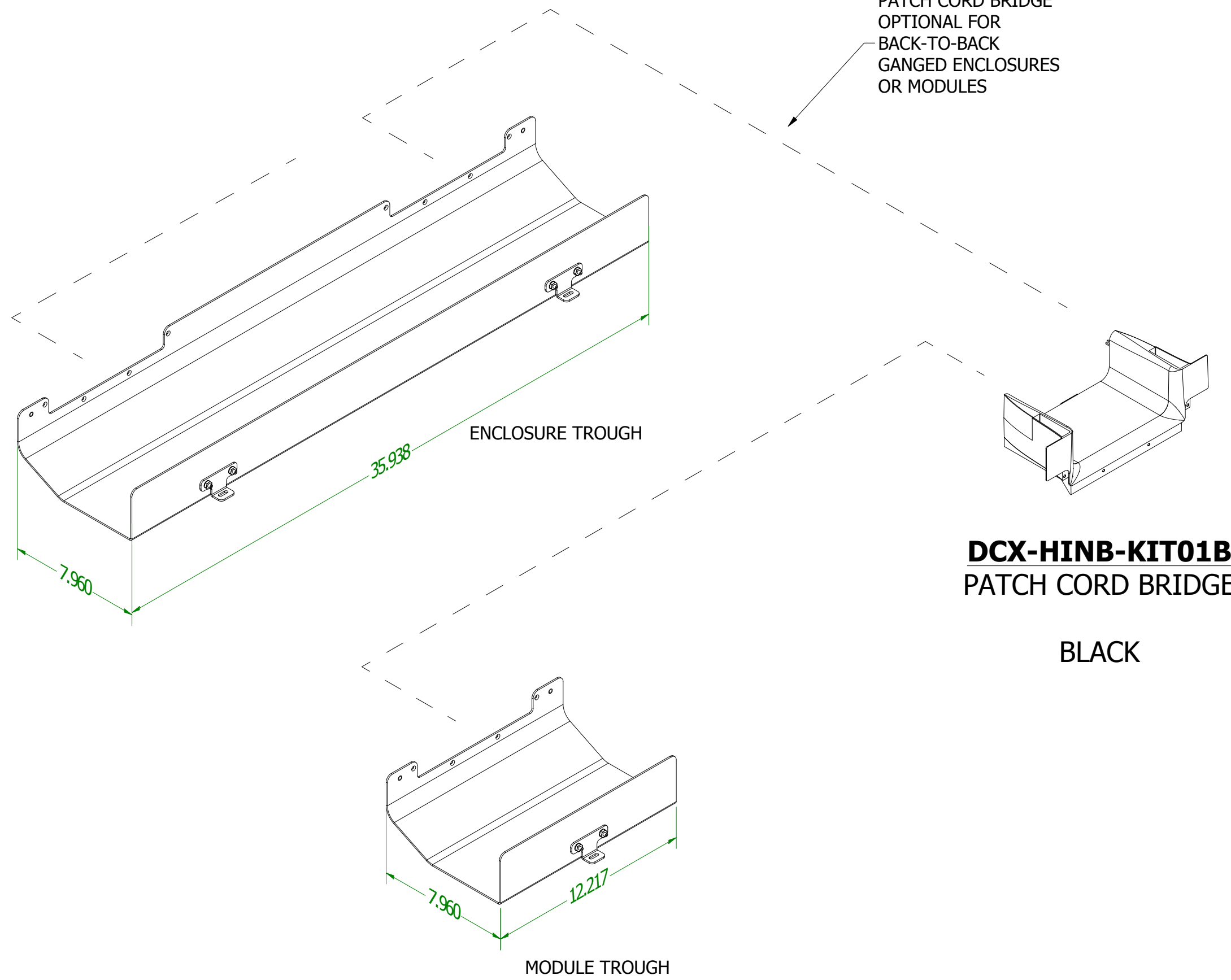
<b>BELDEN</b>			
<small>THIS DRAWING AND ALL INFORMATION CONTAINED HEREIN IS THE PROPERTY OF BELDEN. ANY USE, COPY OR REPRODUCTION OF THIS MATERIAL WITHOUT WRITTEN PERMISSION OF BELDEN IS PROHIBITED.</small>			
DCXS SERIES MASTER - ACCESSORIES			
DCXS SERIES - TOP & BOTTOM PANEL DETAILS			
DRAWN BY: RCG			
DRAWN DATE: 9/13/19			
UNITS: INCH	SH 1 of 4	C	<b>SUBMITTAL</b>
SCALE: 3:32	DATE: 9/13/2019		



**DCX-HRRC-xyyy**  
HORZ REAR CHANNEL KIT (SET OF 4)

xx - LR01 - LEFT-TO-RIGHT FEED  
xx - RL01 - RIGHT-TO-LEFT FEED

yy - B - BLACK  
yy - W - CENTRAL OFFICE WHITE



**DCX-HINB-KIT01B**  
PATCH CORD BRIDGE

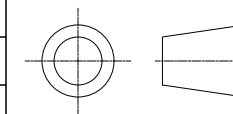
BLACK

**DCX-HINC-KITxyyy**  
BOTTOM TROUGH

xx - 01 - DCX ENCLOSURE TROUGH  
xx - 02 - PATCH CORD SLACK STORAGE MODULE TROUGH

yy - B - BLACK  
yy - W - CENTRAL OFFICE WHITE

4	ADDED PATCH CORD BRIDGE - SH2	RCG	3/26/20
3	ADDED TELESCOPIC SPOOL	RCG	3/12/20
	MODIFIED DCX-CABV-KIT01B DESCRIPTION - SH3		
2	UPDATED DWG VIEWS / DESCRIPTIONS - SH2	RCG	3/11/20
1	ADDED SHEET 4	RCG	2/2/20



**BELDEN**

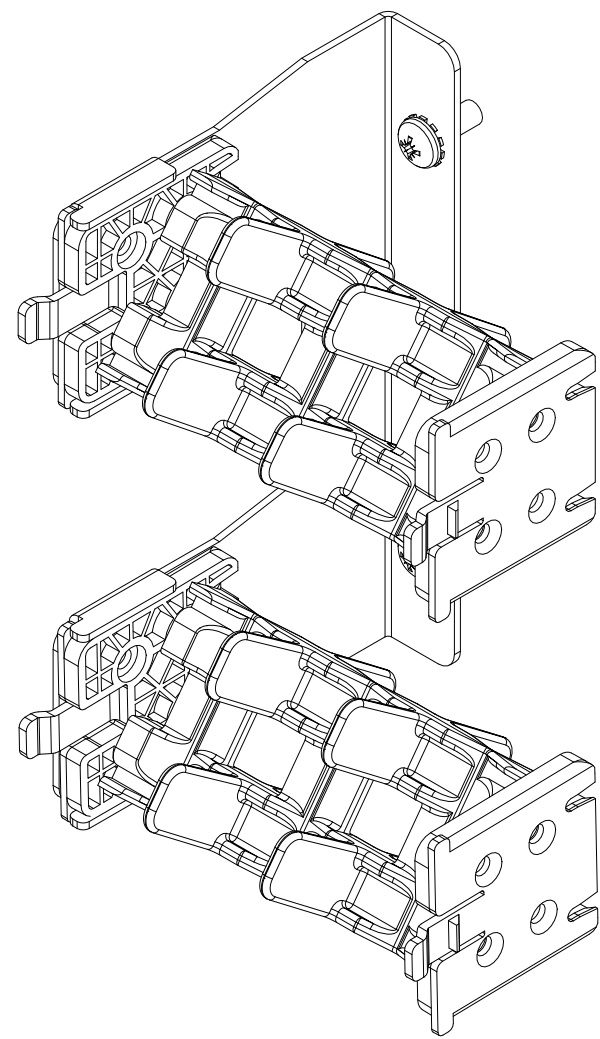
THIS DRAWING AND ALL INFORMATION CONTAINED HEREIN IS THE PROPERTY OF BELDEN. ANY USE, COPY OR REPRODUCTION OF THIS MATERIAL WITHOUT WRITTEN PERMISSION OF BELDEN IS PROHIBITED.

DCXS SERIES MASTER - ACCESSORIES

DCXS SERIES - BOTTOM & REAR TROUGHS

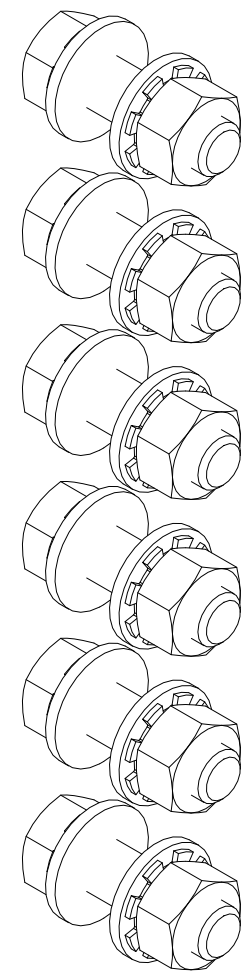
DRAWN BY: RCG	
DRAWN DATE: 9/13/19	
UNITS: INCH	SH 2 of 4 C
SCALE: 3:32	DATE: 9/13/2019

**SUBMITTAL**

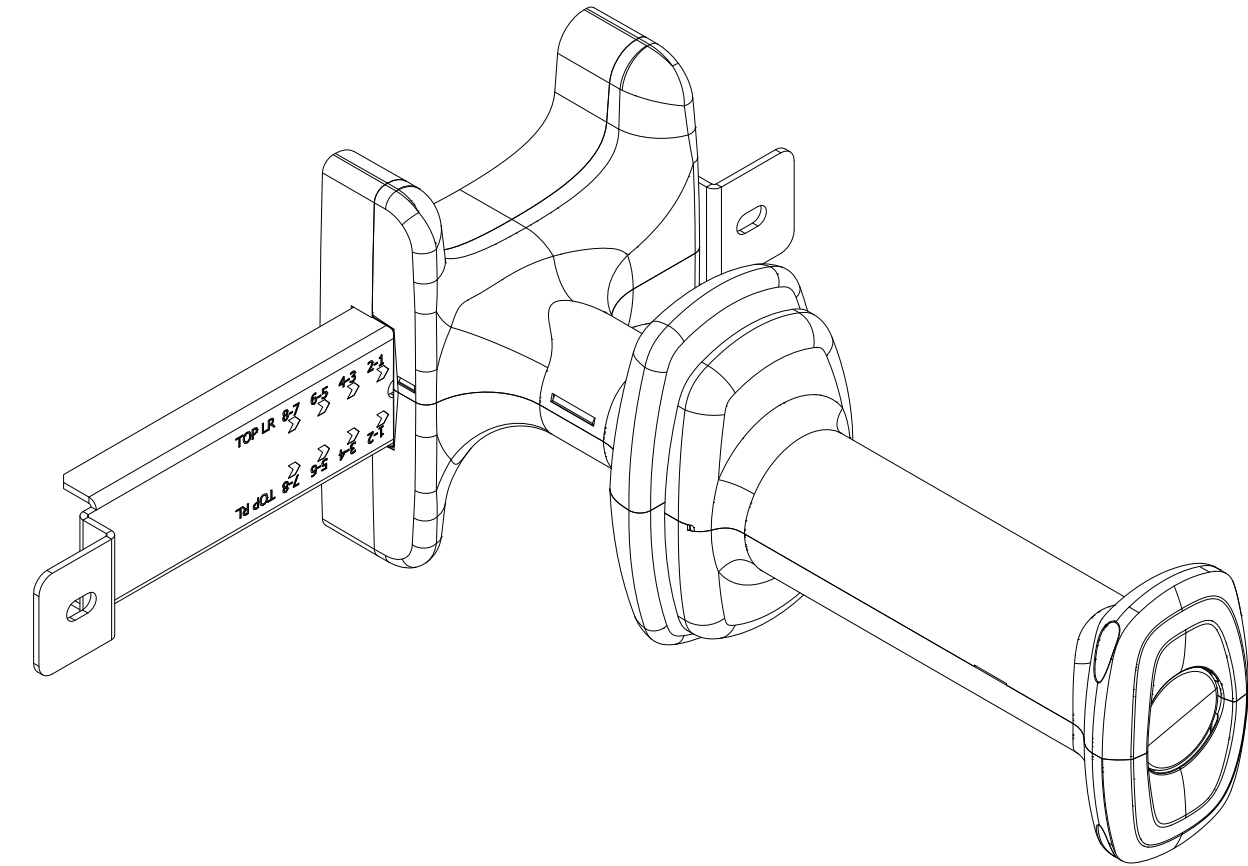


**DCX-CABV-KIT01B**  
CABLE DISTRIBUTION  
ATTACHMENT KIT

B - BLACK



**DCX-GANG-KIT01**  
SIDE-TO-SIDE  
OR  
BACK-TO-BACK

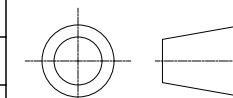


**DCX-SPOO-KIT02B\***  
TELESCOPIC SPOOL KIT  
B - BLACK

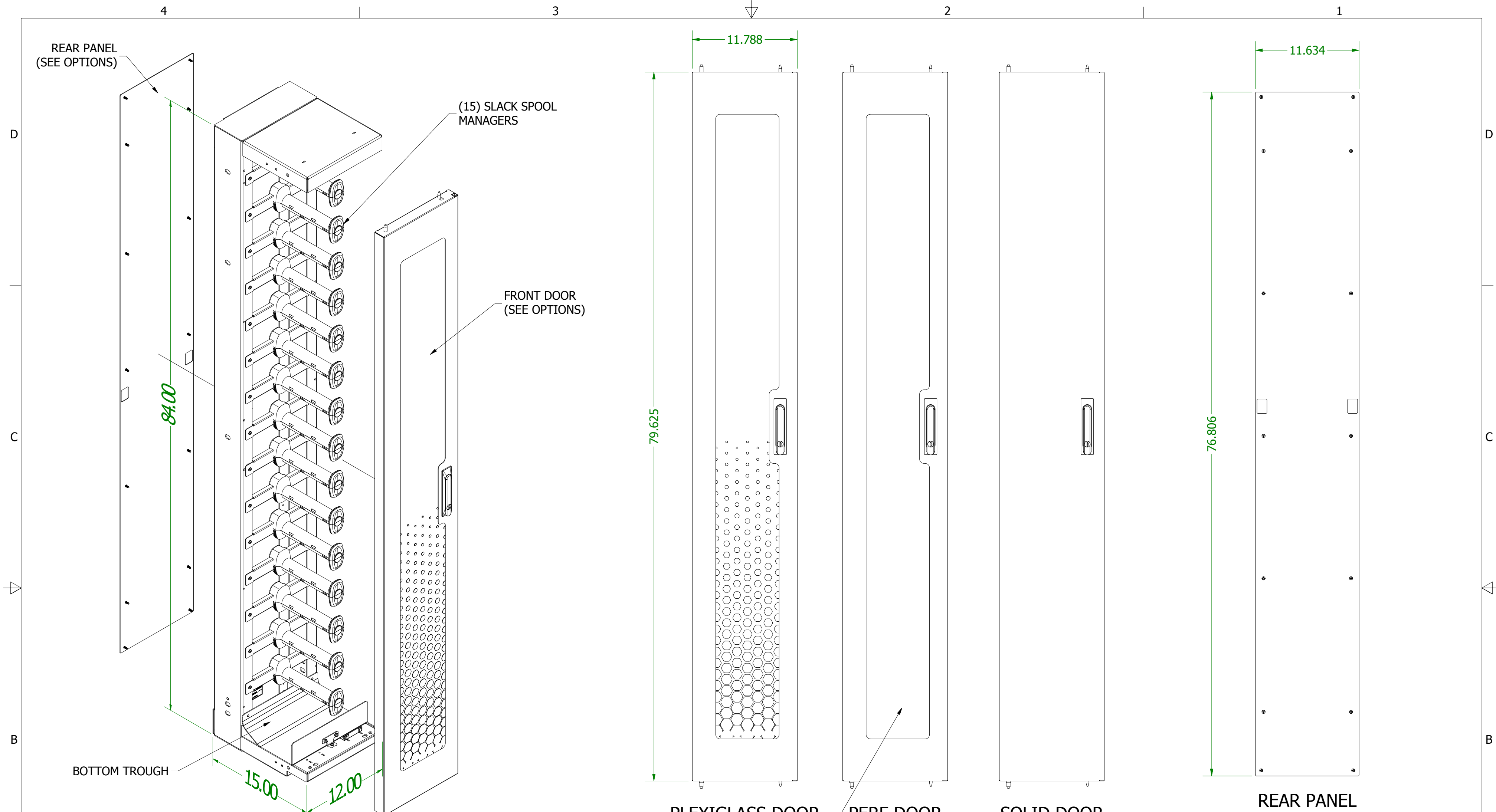
(SOLD INDIVIDUALLY)

\*DCX ENCLOSURE ONLY

4	ADDED PATCH CORD BRIDGE - SH2	RCG	3/26/20
3	ADDED TELESCOPIC SPOOL	RCG	3/12/20
	MODIFIED DCX-CABV-KIT01B DESCRIPTION - SH3		
2	UPDATED DWG VIEWS / DESCRIPTIONS - SH2	RCG	3/11/20
1	ADDED SHEET 4	RCG	2/2/20



<b>BELDEN</b>			
<small>THIS DRAWING AND ALL INFORMATION CONTAINED HEREIN IS THE PROPERTY OF BELDEN. ANY USE, COPY OR REPRODUCTION OF THIS MATERIAL WITHOUT WRITTEN PERMISSION OF BELDEN IS PROHIBITED.</small>			
DCXS SERIES MASTER - ACCESSORIES			
CABLE ATTACHMENT / SPOOLS / ACCESSORIES			
DRAWN BY: RCG			
DRAWN DATE: 9/13/19			
UNITS: INCH	SH 3 of 4	C	<b>SUBMITTAL</b>
SCALE: 3:32	DATE: 9/13/2019		



**DCX-PCST-MODxyz**  
**PATCH CORD SLACK STORAGE MODULE**

X = 0 - NO BACK PANEL  
 X = 1 - BACK PANEL

Y = 1 - PLEXIGLASS DOOR  
 Y = 2 - 78% PERFORATED DOOR  
 Y = 3 - SOLID DOOR

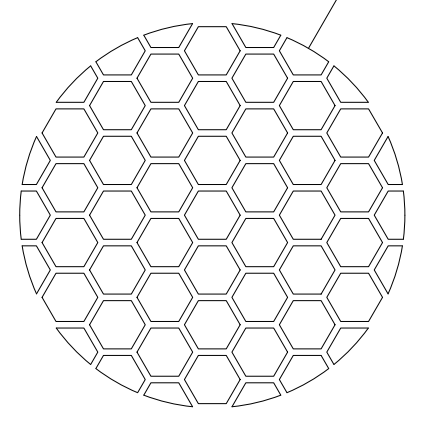
Z = B - BLACK  
 Z = W - CENTRAL OFFICE WHITE

PLEXIGLASS DOOR  
 SCALE 1:8

PERF DOOR  
 SCALE 1:8

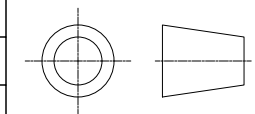
SOLID DOOR  
 SCALE 1:8

REAR PANEL  
 SCALE 1:8



78% PERF PATTERN  
 SCALE 1:1

4	ADDED PATCH CORD BRIDGE - SH2	RCG	3/26/20
3	ADDED TELESCOPIC SPOOL	RCG	3/12/20
	MODIFIED DCX-CABV-KIT01B DESCRIPTION - SH3		
2	UPDATED DWG VIEWS / DESCRIPTIONS - SH2	RCG	3/11/20
1	ADDED SHEET 4	RCG	2/2/20



**BELDEN**

THIS DRAWING AND ALL INFORMATION CONTAINED HEREIN IS THE PROPERTY OF BELDEN. ANY USE, COPY OR REPRODUCTION OF THIS MATERIAL WITHOUT WRITTEN PERMISSION OF BELDEN IS PROHIBITED.

**DCXS SERIES MASTER - ACCESSORIES**

**PATCH CORD SLACK STORAGE MODULE**

DRAWN BY: RCG	
DRAWN DATE: 3/2/20	
UNITS: INCH	SH 4 of 4
SCALE: 3:32	DATE: 3/2/2020

**SUBMITTAL**