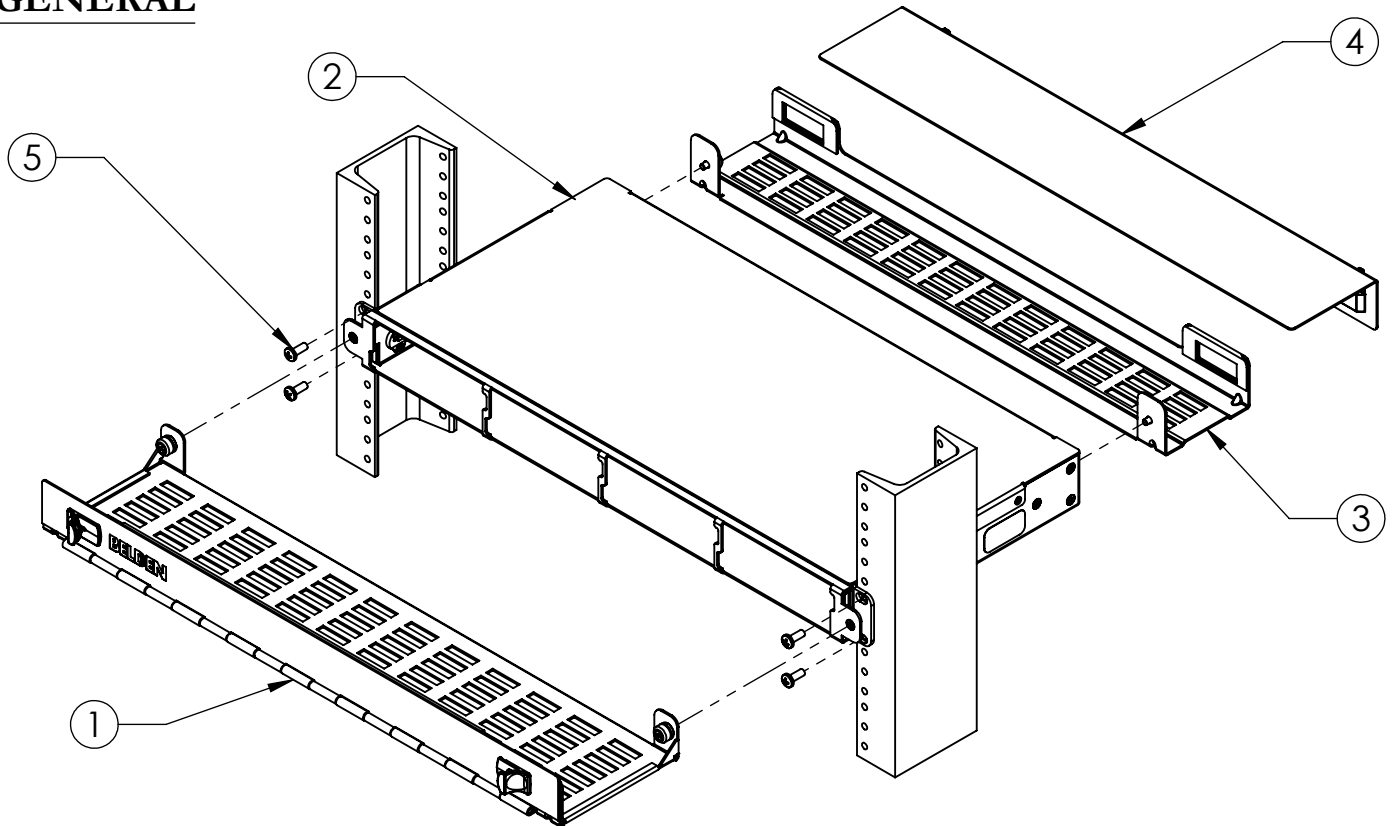


INSTALLATION GUIDE

FIBER EXPRESS ULTRA HD
PATCH PANEL HOUSING - 1U

BELDEN
SENDING ALL THE RIGHT SIGNALS

A) GENERAL

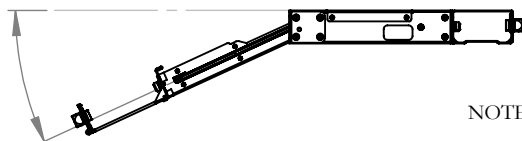


BILL OF MATERIAL		
ITEM NO.	DESCRIPTION	QTY.
1	PATCH CORD TRAY ASSY.	1
2	HOUSING	1
3	CABLE TRAY ASSY.	1
4	CABLE TRAY COVER	1
5	HARDWARE KIT (NOT SHOWN)	1

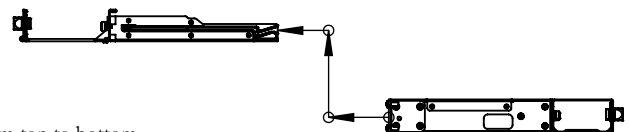
HARDWARE KIT			
ITEM	QTY.	ITEM	QTY.
Phillips Screw 10-32x 1/2	4	Nylon Cable Tie	6
Phillips Screw 12-24x 1/2	4	Velcro Strap	2
Kurly Lock	4	Identification Label	2
Wire Marker (Blue)	1		

B) PATCH PANEL FEATURES

TILTING DRAWER FOR NEW INSTALLATION



REMOVABLE DRAWER



NOTE: Install and manage from top to bottom.

C) CABLE PREPARATION

1. See Figure 1 and 2 to prepare the fiber cables properly.
2. Make a mark on the outer/distribution sheath at a point "A" from the end of the cable (if there is no outer sheath, go directly to step 4) for distribution cable.
3. Remove the outer cable sheath up to the mark and, if necessary, clean.
4. Distribution cable:
 1. Make a mark on the sheaths of the distribution cables at a point "B".
 2. Remove the cable sheaths up to the mark and, if necessary, clean.



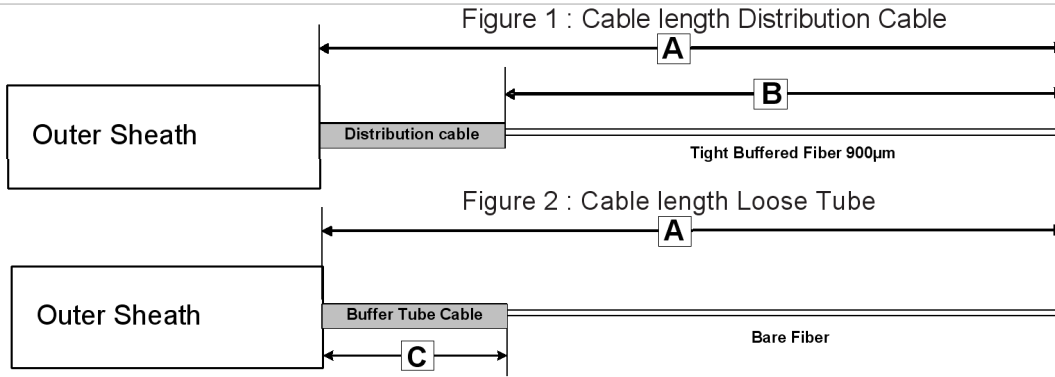
Laser Radiation

Optical fibers transmit laser radiation of sufficient magnitude to cause injury to personnel and caution must be exercised to avoid exposure. This caution applies to any point in the system where the laser signal can be "accessed" (for example, at the bare fiber ends).

INSTALLATION GUIDE

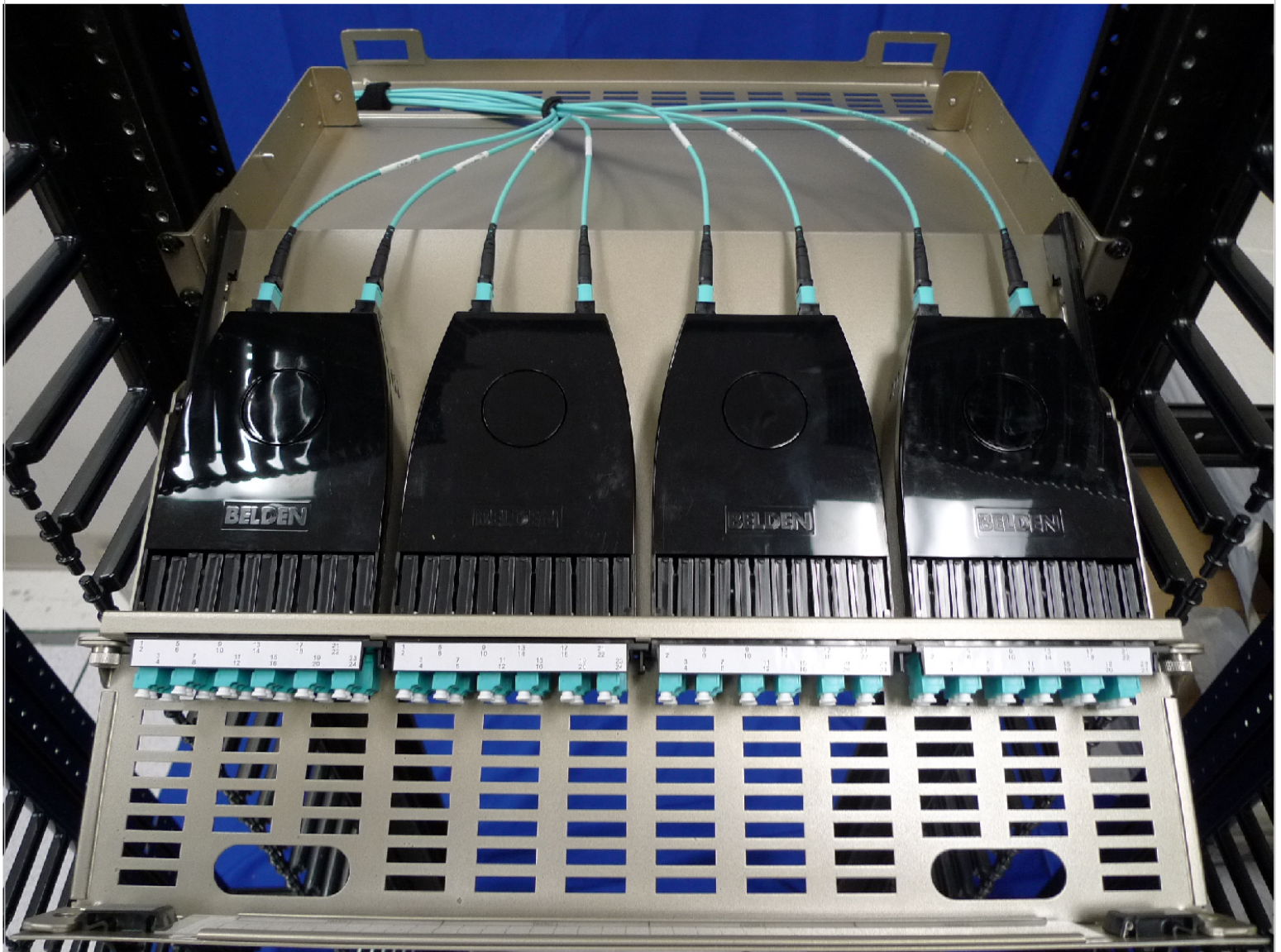
FIBER EXPRESS ULTRA HD
PATCH PANEL HOUSING - 1U

BELDEN
SENDING ALL THE RIGHT SIGNALS



TYPE OF CABLE	A	B	C
DISTRIBUTION CABLE	1.40m (55in)	1.22m (48in)	-
TRUNK CABLE (MPO)	0.61m (24in)	-	-
LOOSE TUBE	1.27m (50in)	-	0.37m (14.5in)

D) USING PRE-TERMINATED CASSETTES: MPO TRUNK CABLES

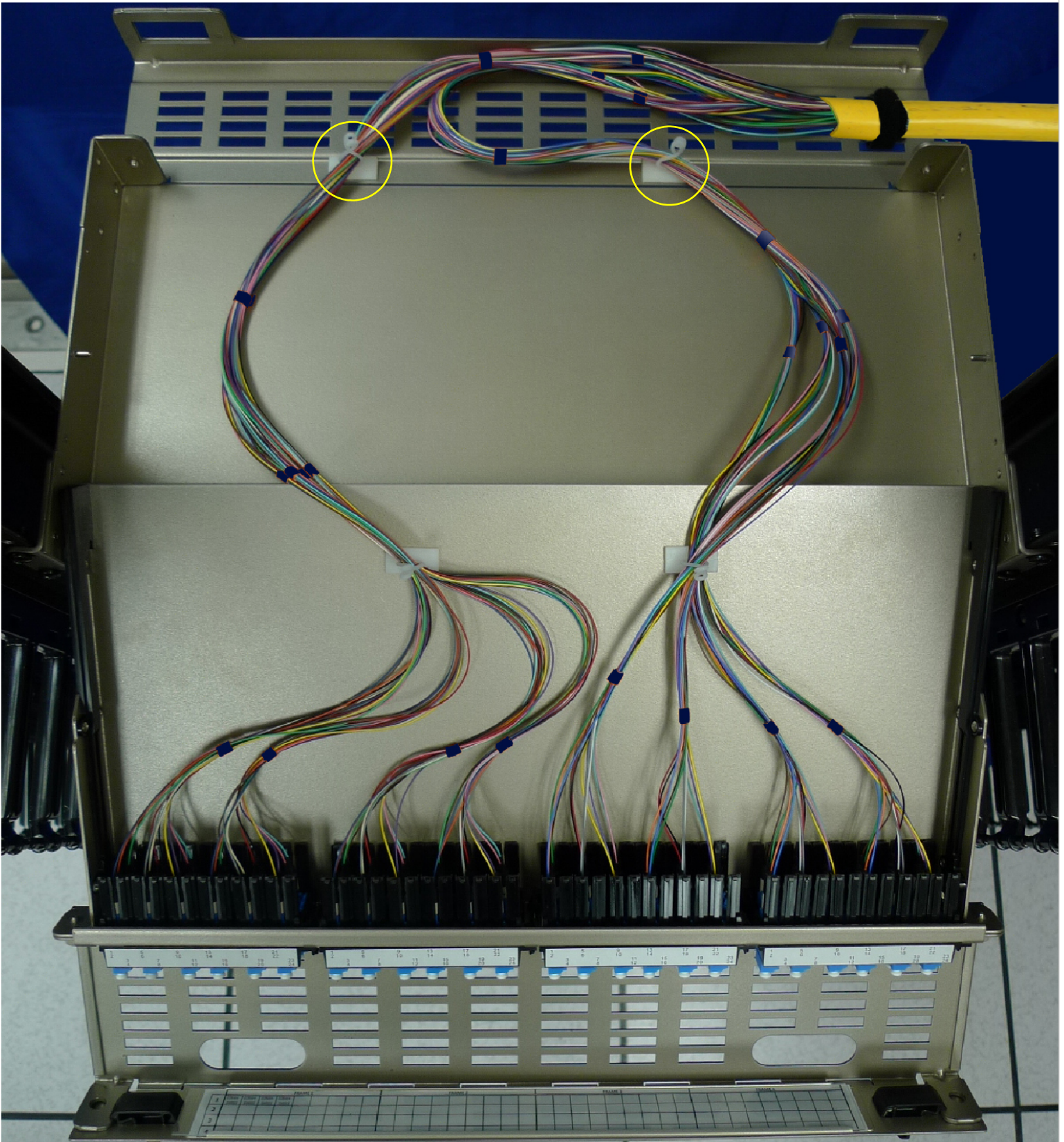


INSTALLATION GUIDE

FIBER *EXPRESS* ULTRA HD
PATCH PANEL HOUSING - 1U

BELDEN
SENDING ALL THE RIGHT SIGNALS

E) USING TIGHT BUFFER : 900um TERMINATIONS



NOTE: The distribution cable should end at the velcro-strap.
Respect the suggested management.

INSTALLATION GUIDE

FIBER *EXPRESS* ULTRA HD
PATCH PANEL HOUSING - 1U

BELDEN
SENDING ALL THE RIGHT SIGNALS

F) USING MPO TRUNK CABLES



G) USING LC DUPLEX JACKETED TERMINATIONS: 2mm

