

Installation Guide

Installing a MediaFlex Type Plate and Adapter Boxes

Version 03.00 2007

PX102064



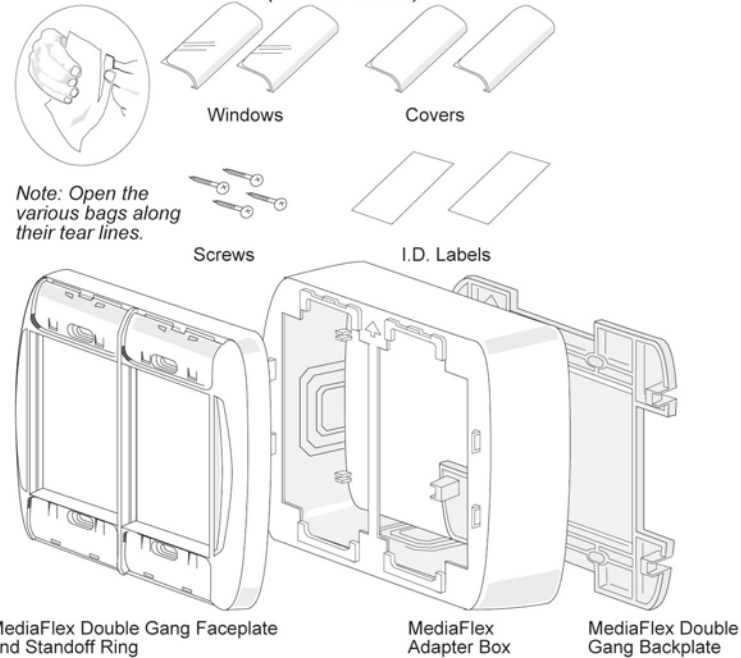
1 of 2 pages

1. Installation

1.1 Select the required components to your workplan.
(Typical items shown below)

MediaFlex Double Gang Adapter Box & Accessories

(shown below)

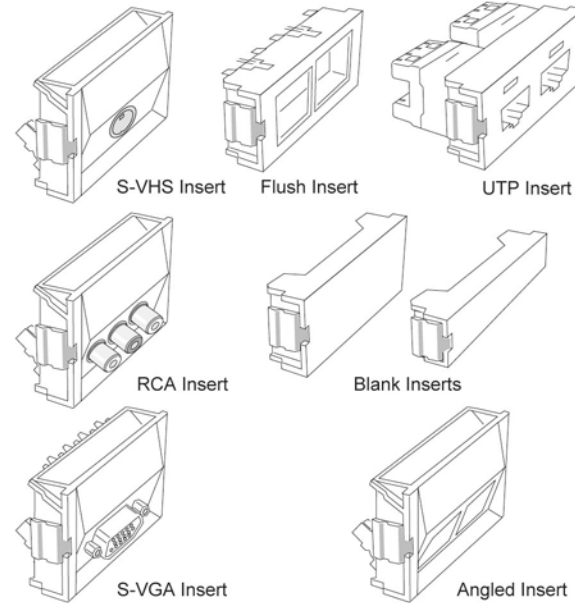


MediaFlex Double Gang Faceplate and Standoff Ring

MediaFlex Adapter Box

MediaFlex Double Gang Backplate

MediaFlex Inserts

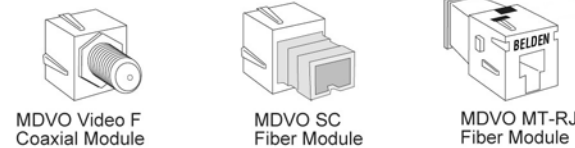


Module Types

UTP modules



Multimedia - Coaxial & Fiber



MediaFlex Single Gang Adapter Box & Accessories



A single gang version adaptor box is also available. Please note: This instruction sheet demonstrates installing a double gang unit. These instructions can also be applied to installing the single gang version!

Related Documents

EZ-MDVO Type Modules

- Refer to PX102753 for terminating procedure.

GigaFlex Type Modules

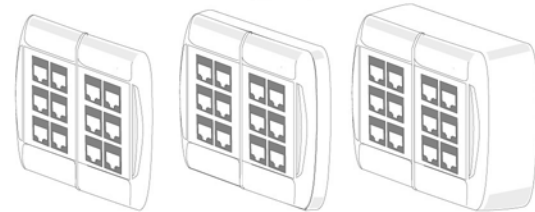
- Refer to PX101565 for terminating procedure.

Assembly of MediaFlex

- Refer to PX102063 for detailed assembly and servicing procedures.

Note: Please verify clearance into plaster rings or electrical boxes prior to installation!

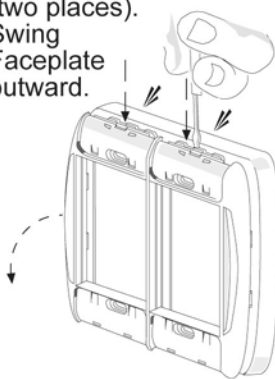
Mounting Options



Flush Mount Standoff Ring Mount (Double Gang Box Only!) Box Mount

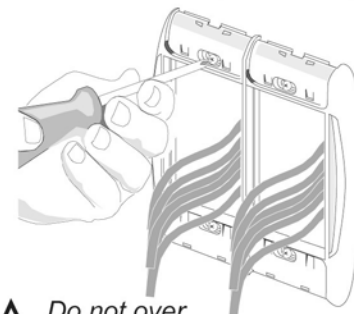
- For **Standoff Ring Mounting** leave Faceplate and Standoff Ring attached!
- or -
- For **Flush Mounting** and for **Adapter Box Mounting** remove Standoff Ring!

To release Standoff Ring, insert small screwdriver tip in slot in top of Faceplate and push straight down (two places). Swing Faceplate outward.



2. Flush Or Standoff Ring Mount Installations

2.1 Attach plate to double gang electrical box or plaster ring.



Do not tighten!

Installing a MediaFlex Type Plate and Adapter Boxes

Version 03.00 2007

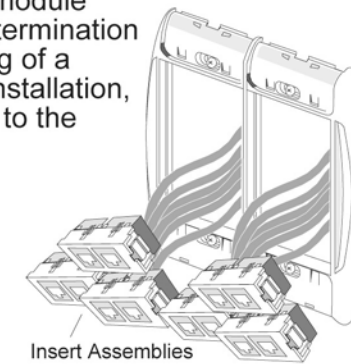
PX102064

2 of 2 pages

2.2 Connect required components.

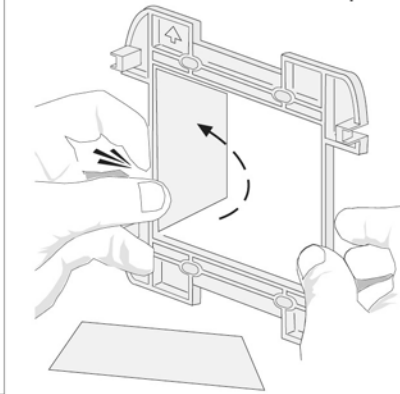
Important Note:

For correct module orientation, termination and servicing of a MediaFlex installation, please refer to the appropriate Belden Installation Guides listed on first page!

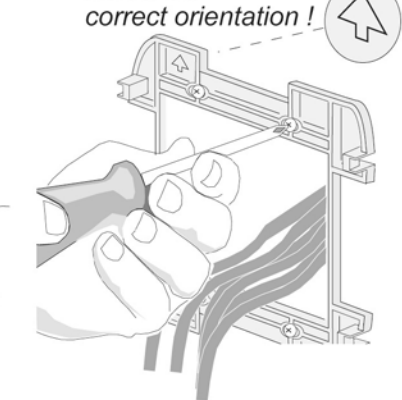


3. Installing a MediaFlex Adapter Box

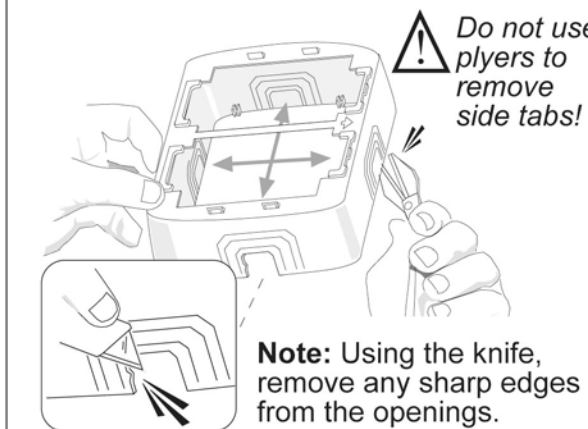
3.1 To accommodate cables routed from inside the wall, push out and break off center panels.



3.2 Attach backplate to electrical box or plaster ring. Check for correct orientation!



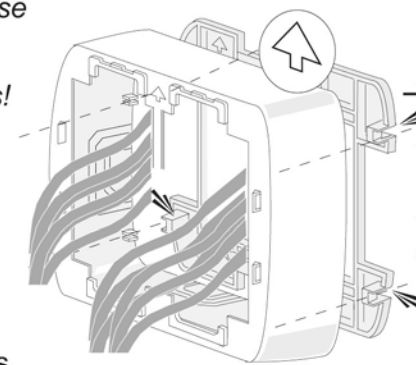
3.3 Using cutters and a knife, remove side tabs to suit the size and direction of any surface mounted cables or raceway.



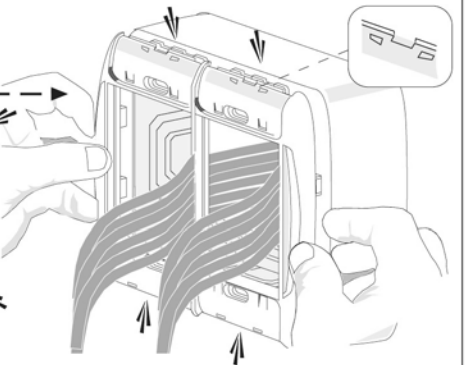
Do not use pliers to remove side tabs!

Note: Using the knife, remove any sharp edges from the openings.

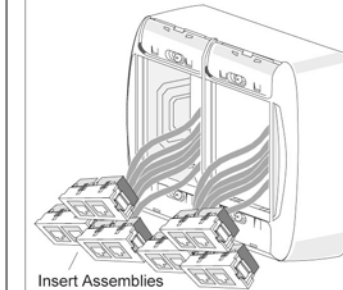
3.4 Snap adapter box onto backplate. Check for correct orientation!



3.5 Snap faceplate onto front of the adapter box. Check for correct orientation!

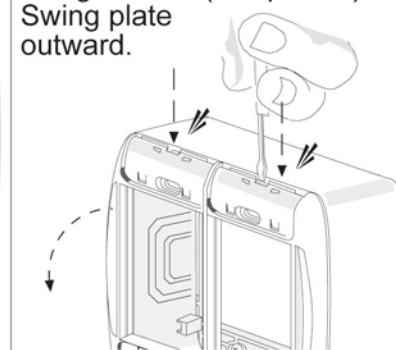


3.6 Connect required components. (ref. 2.2)

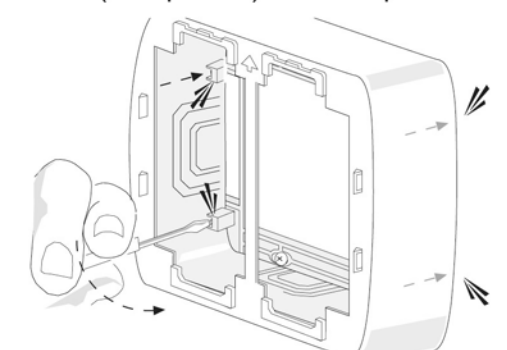


4. Removing Faceplate and Adapter Box

4.1 To release faceplate, insert small screwdriver tip in slot in top of faceplate and push straight down (two places). Swing plate outward.



4.2 To separate adapter box from backplate, insert small screwdriver tip in slot between backplate and box. Lever toward the center of the box (four places). Pull adapter box outward.



MediaFlex is a trademark of Belden, Inc.
© 1996, 2007 Belden, Inc. Printed in Canada



For additional technical information on MediaFlex plates or our other connectivity products, call 1-800-858-7954