

1 2 3 4 5 6

A

A

B


B

C

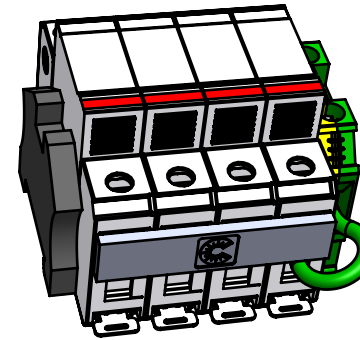
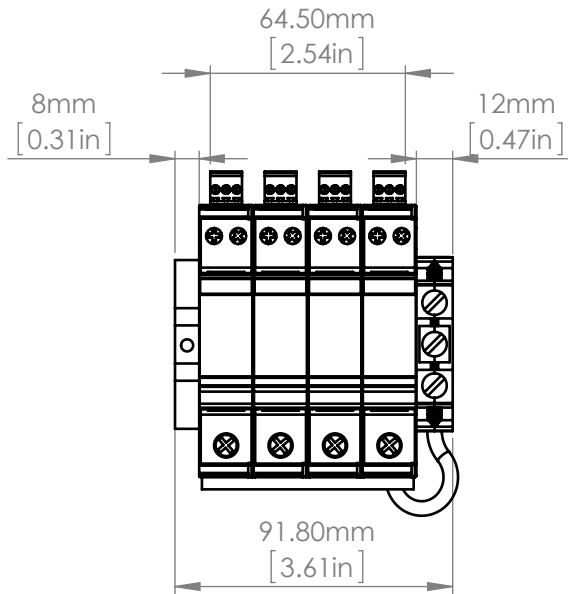
C

D

INDEX TABLE				
DESCRIPTION	SHEET NO.	ECN NO.	REV.	REV. DATE (MM/DD/YY)
INDEX TABLE	1			
COMPLETE ASSEMBLY	2			
BOX ASSEMBLING	3			

UNLESS OTHERWISE SPECIFIED: DIMENSIONS ARE IN MM & IN SURFACE FINISH: Smooth TOLERANCES: +.027mm/.01 in LINEAR: +.027mm/.01 in ANGULAR: +.027mm/.01 in		FINISH:		DEBUR AND BREAK SHARP EDGES		REVISION A		 10108 USA Today Way Miramar, FL 33025	
	NAME	SIGNATURE	DATE	DO NOT SCALE DRAWING		TITLE:			
DRAWN	Roberto Ansourian		11/1/2018			DS240S-350DC-4P "OVP-4"			
CHK'D	Ashton Brown		11/1/2018						
APPV'D	Ron Glaser		11/1/2018						
MFG						DWG NO. U-P4M-13022-03			
Q.A				MATERIAL:					
				CONFIDENTIAL		SCALE:2:3		SHEET 1 OF 3	

1 2 3 4 5 6



UNLESS OTHERWISE SPECIFIED: DIMENSIONS ARE IN MM & IN SURFACE FINISH: Smooth TOLERANCES: +.027mm/.01 in LINEAR: +.027mm/.01 in ANGULAR: +.027mm/.01 in		FINISH:		DEBUR AND BREAK SHARP EDGES		REVISION A	
	NAME	SIGNATURE	DATE	DO NOT SCALE DRAWING		TITLE:	
DRAWN	Roberto Ansourian		11/1/2018			DS240S-350DC-4P "OVP-4"	
CHK'D	Ashton Brown		11/1/2018				
APPV'D	Ron Glaser		11/1/2018				
MFG							
Q.A				MATERIAL:		DWG NO. U-P4M-13022-03	
						A4	



10108 USA Today Way
Miramar, FL 33025

CONFIDENTIAL

SCALE:2:3

SHEET 2 OF 3

1

2

3

4

5

6

A

A

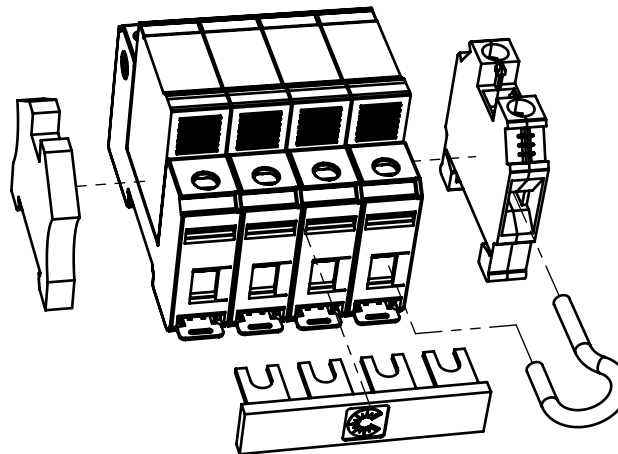
B

B

C

C

D



UNLESS OTHERWISE SPECIFIED:
 DIMENSIONS ARE IN MM & IN
 SURFACE FINISH: Smooth
 TOLERANCES: +.027mm/.01 in
 LINEAR: +.027mm/.01 in
 ANGULAR: +.027mm/.01 in

FINISH:

DEBUR AND
 BREAK SHARP
 EDGES

REVISION
 A



10108 USA Today Way
 Miramar, FL 33025

	NAME	SIGNATURE	DATE	DO NOT SCALE DRAWING
DRAWN	Roberto Ansourian		11/1/2018	
CHK'D	Ashton Brown		11/1/2018	
APPV'D	Ron Glaser		11/1/2018	
MFG				
Q.A				MATERIAL:

TITLE:	DS240S-350DC-4P "OVP-4"	
DWG NO.	U-P4M-13022-03	A4

1

2

CONFIDENTIAL

SCALE:2:3

SHEET 3 OF 3