

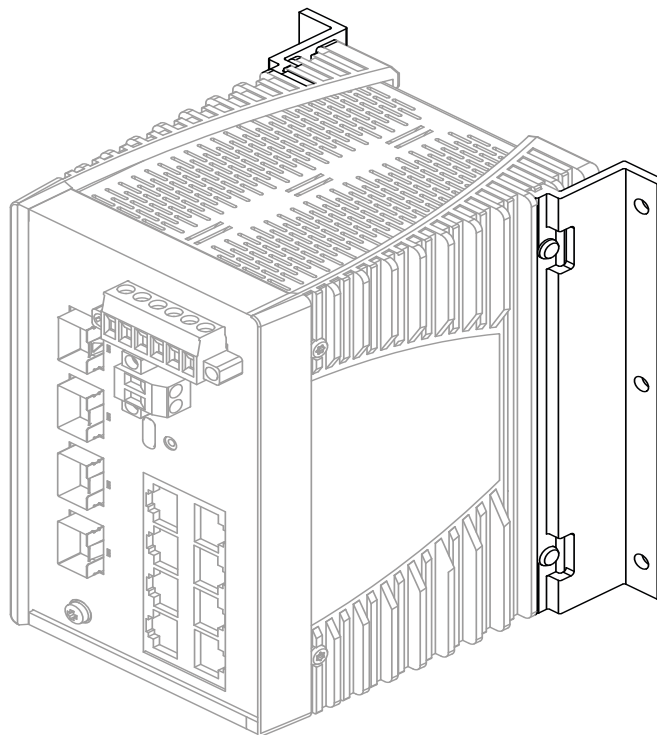


HIRSCHMANN

A **BELDEN** BRAND

Mounting Note

Wall mounting bracket for BRS device variants in metal casing

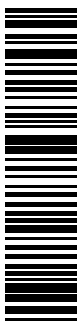


■ Certified usage

The wall mounting bracket with the order number 942 321-001 is suitable for all BRS device variants in metal casing in narrow, medium and wide version.

The wall mounting bracket

- ▶ is an alternative to the DIN rail if this is not available.
- ▶ is an alternative to the DIN rail if this does not fulfill the necessary vibration requirements.



600020001020621000

■ Scope of delivery

Amount	Description
2 x	The same wall mounting bracket for both the left and right side of the device
4 x	M3x10 screws for fastening the wall mounting brackets to the device
1 x	Mounting Note

■ Mounting of the wall bracket

Prepare the following tools:

Electric drill



Screwdriver



Torx size: T10

Proceed as follows:

- Remove the 2 rear screws from the casing on the left and right side of the device (see figure 1).

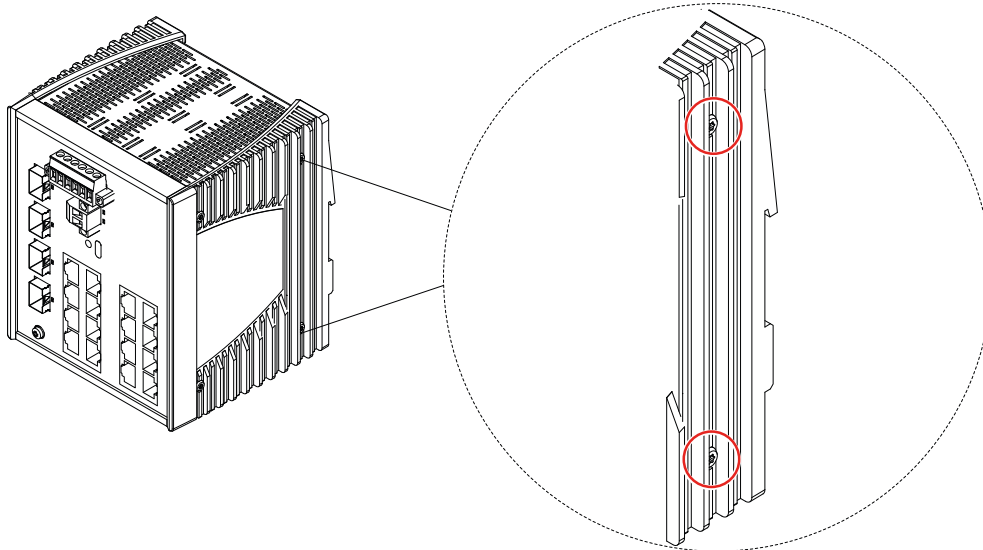


Figure 1: Position of the rear screws on the casing.

- Fasten the wall mounting brackets to the casing. For this, use the M3x10 screws provided.
The tightening torque is 0.6 Nm to 0.65 Nm (5.3 lb-in to 5.7 lb-in)
- Mark the drill holes on the wall. For the dimensions see figure 2 and figure 3.
- Drill the holes in the wall.
- Screw the device with the wall mounting bracket to the wall.

■ BRS dimensions including the wall mounting bracket and drilling plan

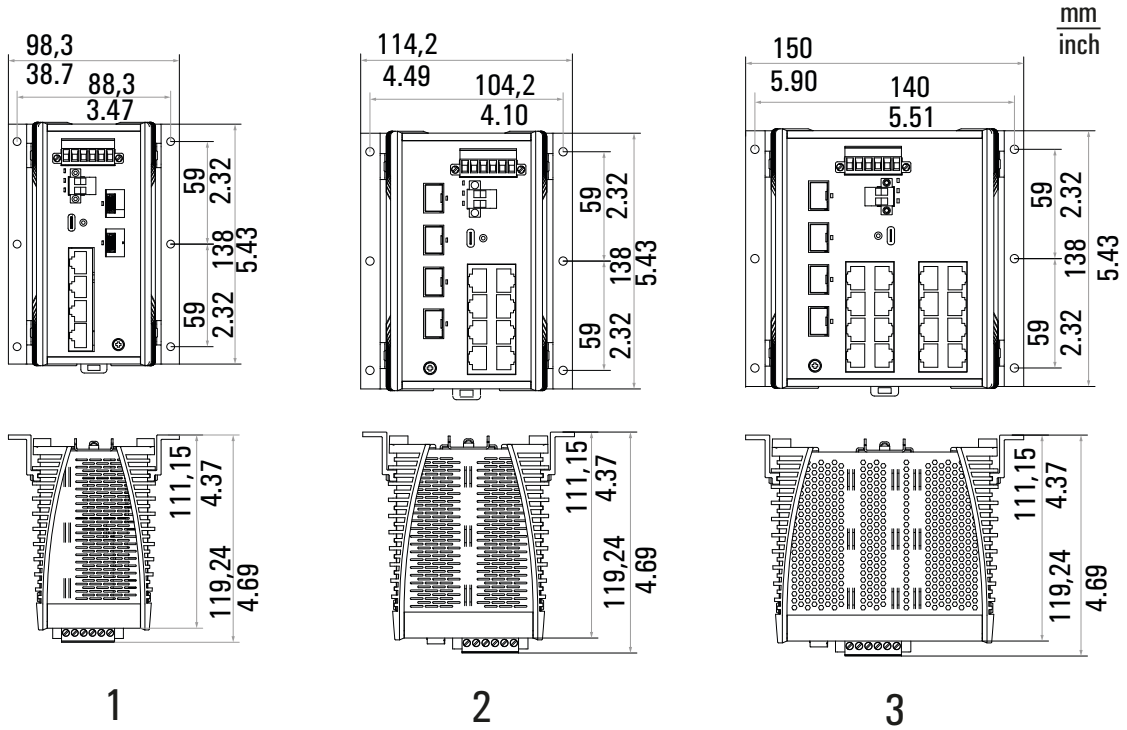


Figure 2: Dimensions of the BRS metal casing widths (1 narrow, 2 medium, 3 wide) including the wall mounting bracket

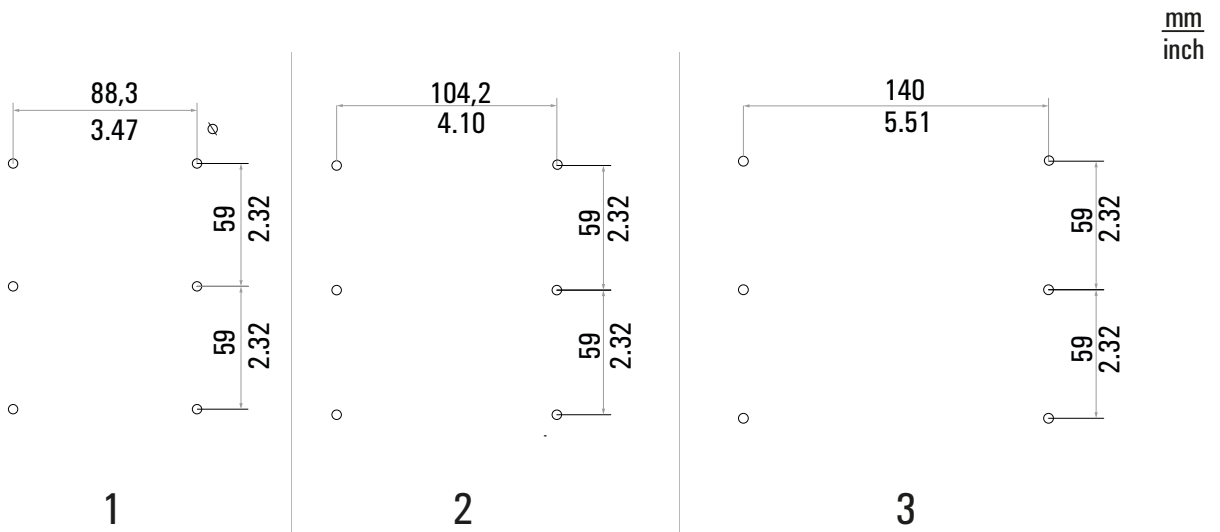


Figure 3: Drilling plan for the various BRS metal casing widths (1 narrow, 2 medium, 3 wide)

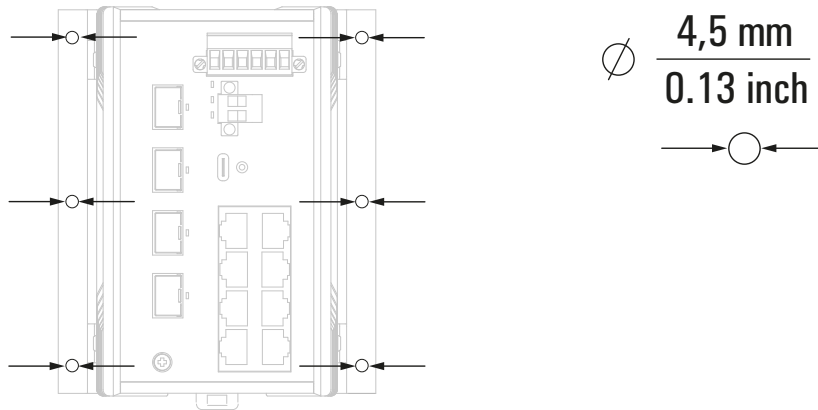


Figure 4: The diameter of the holes in the wall mounting bracket

Note: If the wall mounting brackets are no longer used, the device casing must be screwed on both sides. For this, use the original casing screws that you removed in the first step of the mounting (see [figure 1](#)) or M3x10 screws.