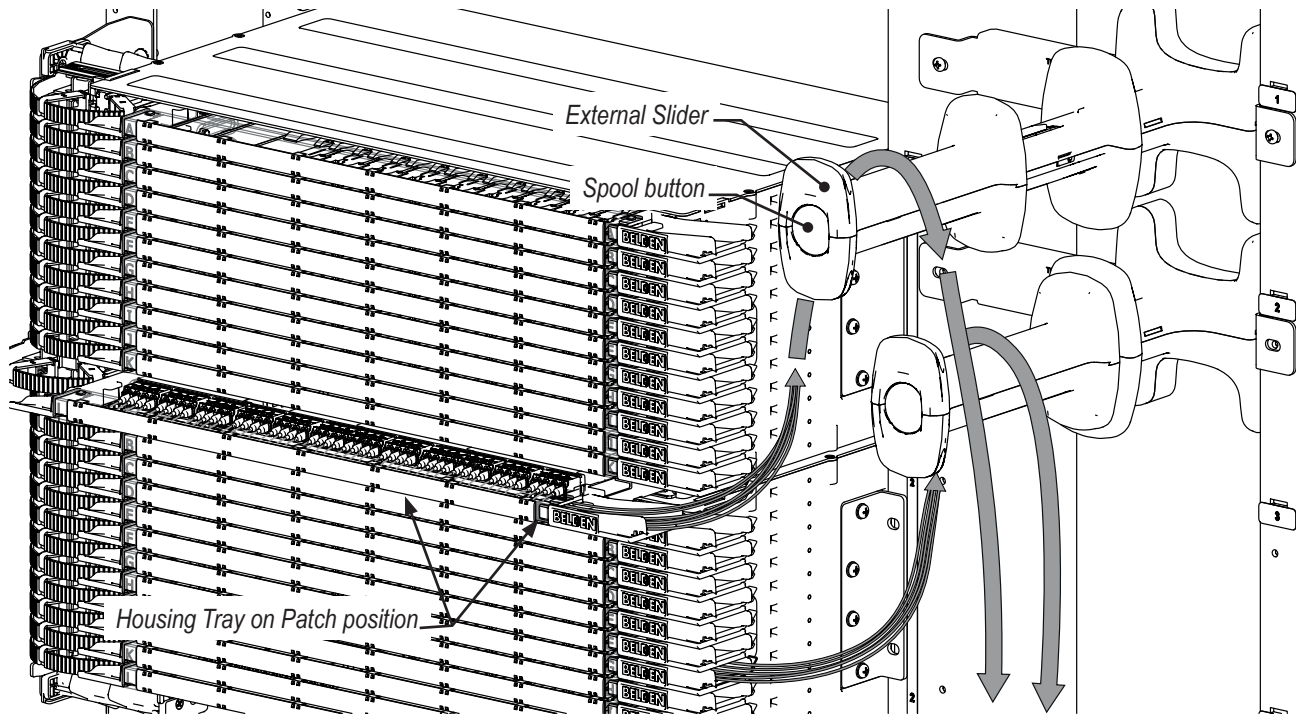


Telescopic Spool Application

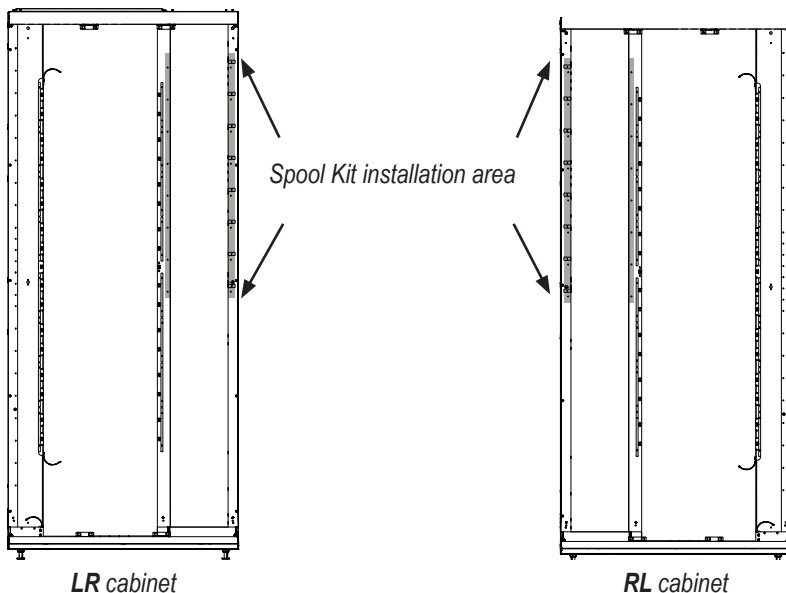
- ⓘ Prior to opening an Housing Tray, the Telescopic Spool can be extended to procure the necessary patch cord Slack for the Tray movement. The Telescopic Spool is extended by pushing the Spool Button and pulling the External Slider forward.



Telescopic Spool Kit Installation

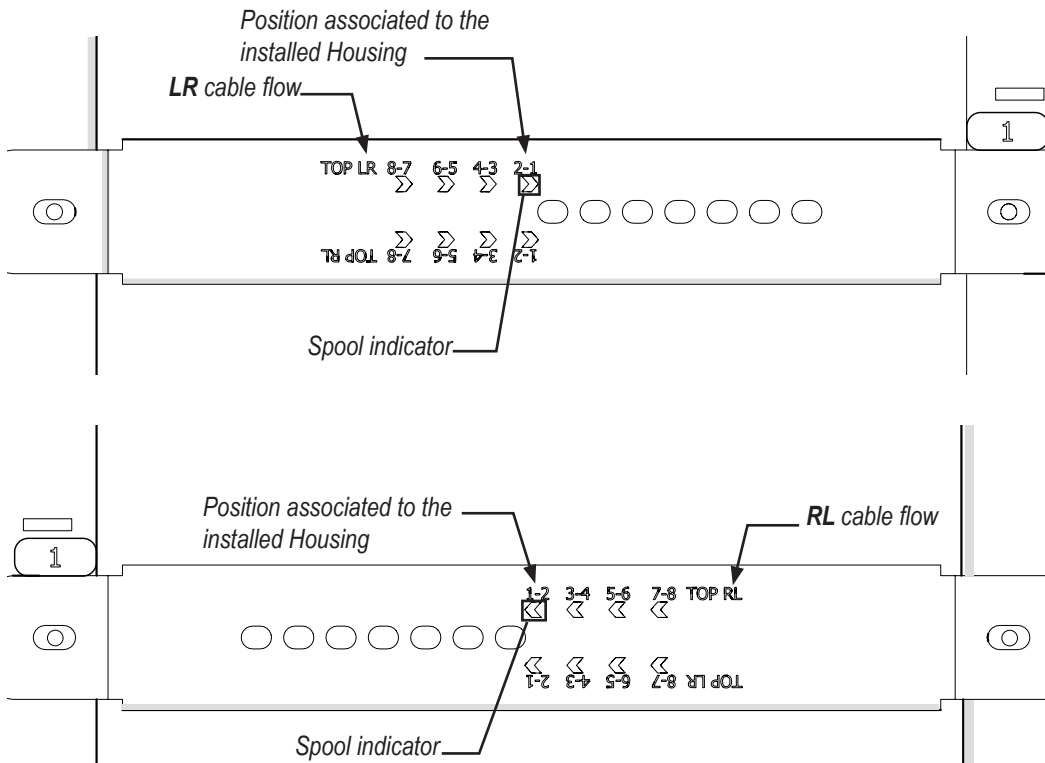
- ⓘ Before proceeding with the installation of the Telescopic Spool Kit, make sure to install (or determine the position of) the DCX Housings that will be used into the Cabinet. The Housing's positions will determine the location where to place and secure the Telescopic Spools.

1. Determine the cable flow direction of the Cabinet.
 For a left-to-right (LR) Cabinet, the Spool Kit will be installed at right.
 For a right-to-left (RL) Cabinet, the Spool Kit will be installed at left.

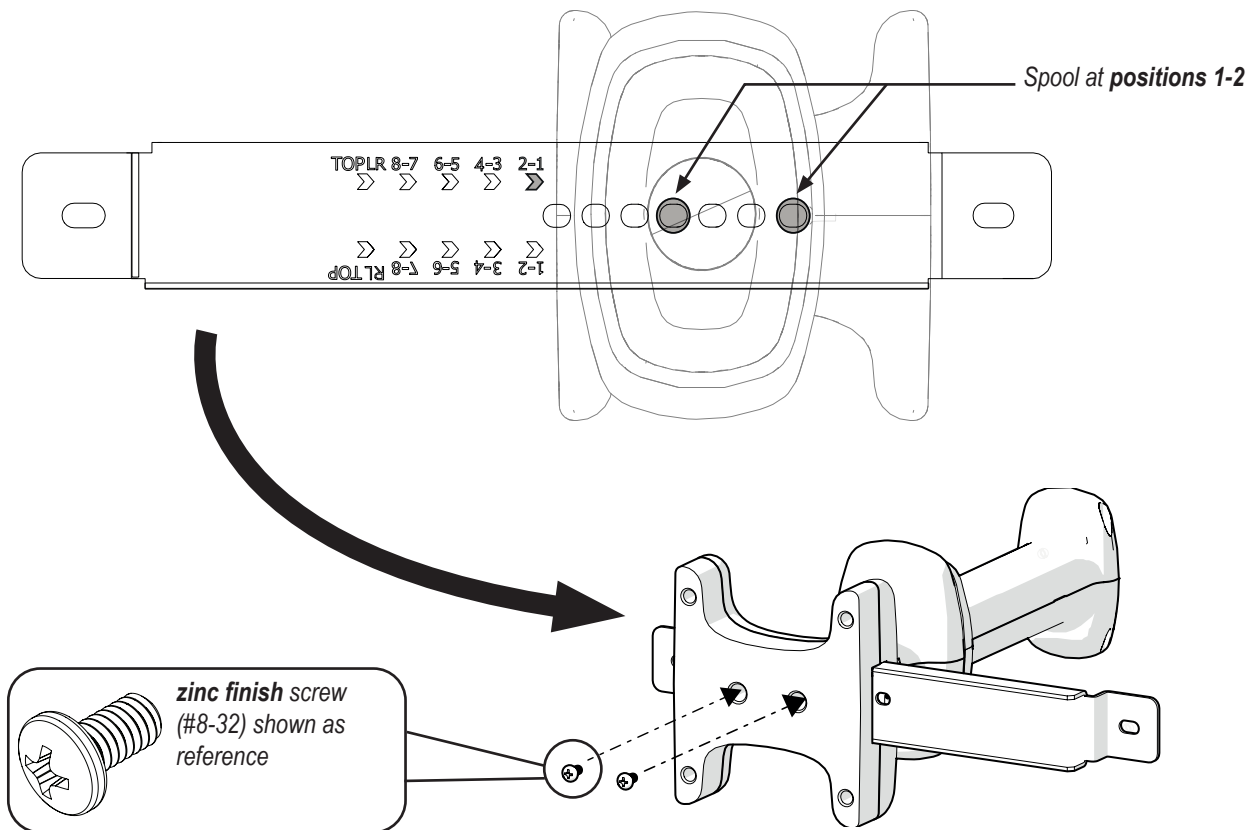


2. Depending on the required cable flow, determine the bracket orientation.

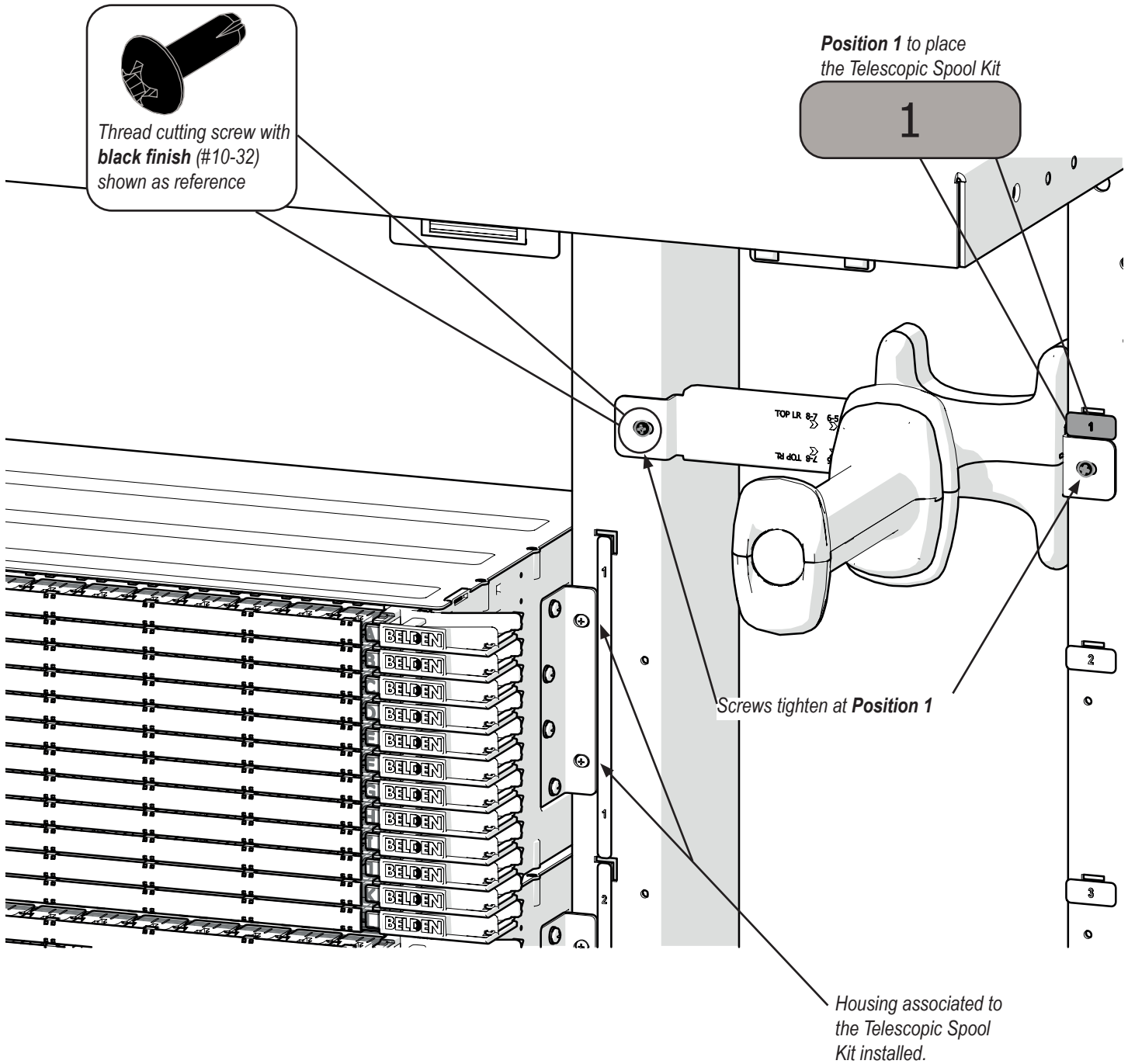
NOTE: On the images below, the Telescopic spool is hidden to explain the visual indicators marked on the Bracket.
Spools for Housings 1 and 2 are at the same horizontal position on the brackets, same go for 3-4, 5-6 and 7-8.



3. Slide the Telescopic Spool to the associated position.
Secure the Telescopic Spool by using the provided **zinc finish** screws (#8-32).

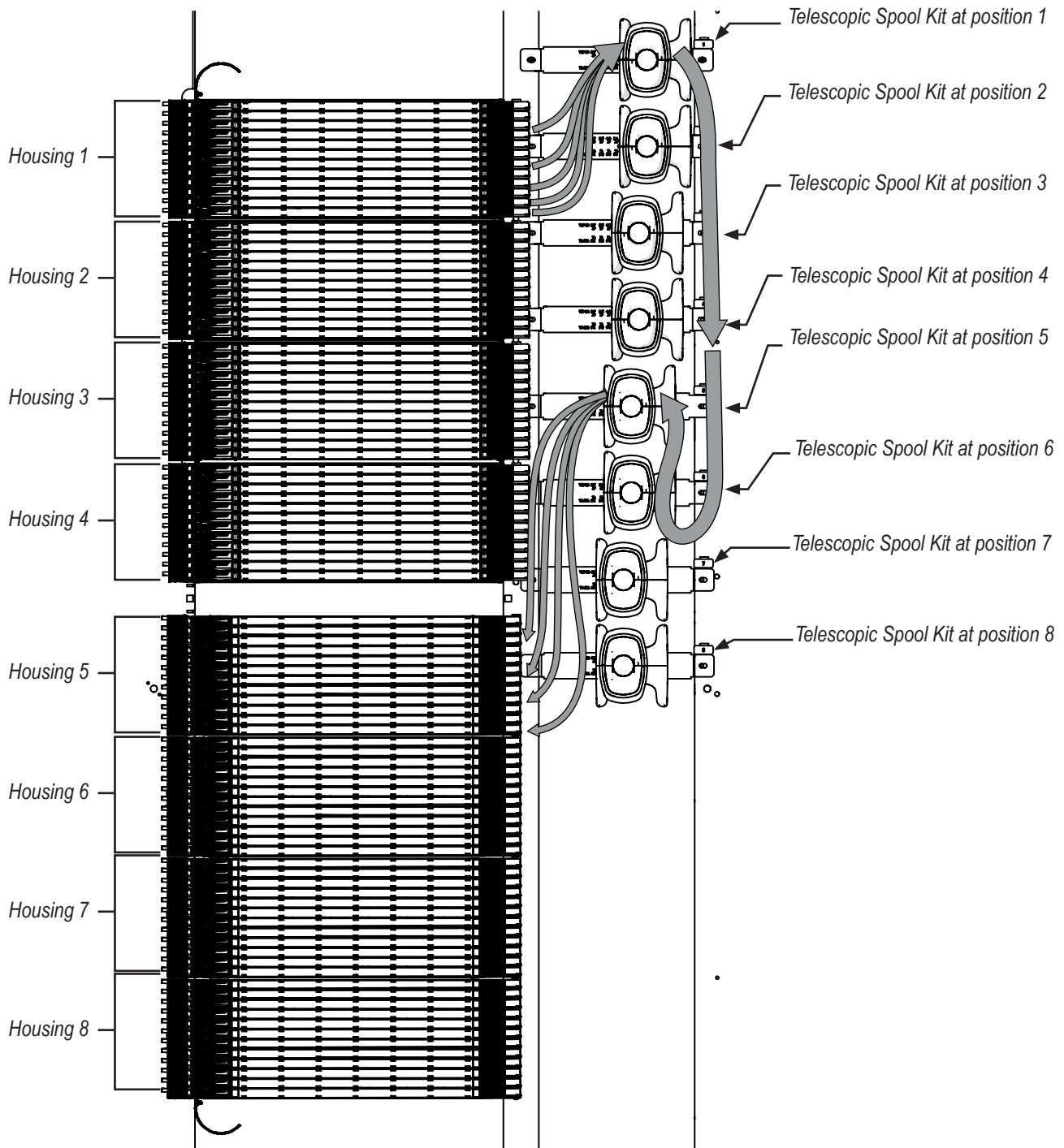


4. Locate the assembly position to the associated Housing and use the thread cutting screws with **black finish** (#10-32) to secure the bracket.



5. If required, repeat all steps shown on previous pages to continue loading your management system.

NOTE: The example below shows a Cross-Connection between the **Housing 1** to the **Housing 5**.



DCX XConnect Patch Cord Telescopic Spool- Quick Start Guide

PX106862 - EN REV B

This document is also available at our microsite:

www.belden.com/dcx

For more information about BELDEN Technical support, call:

1-800-BELDEN-1

Scan this QR code to
access more technical
information of our
products and get
constant updates



BELDEN