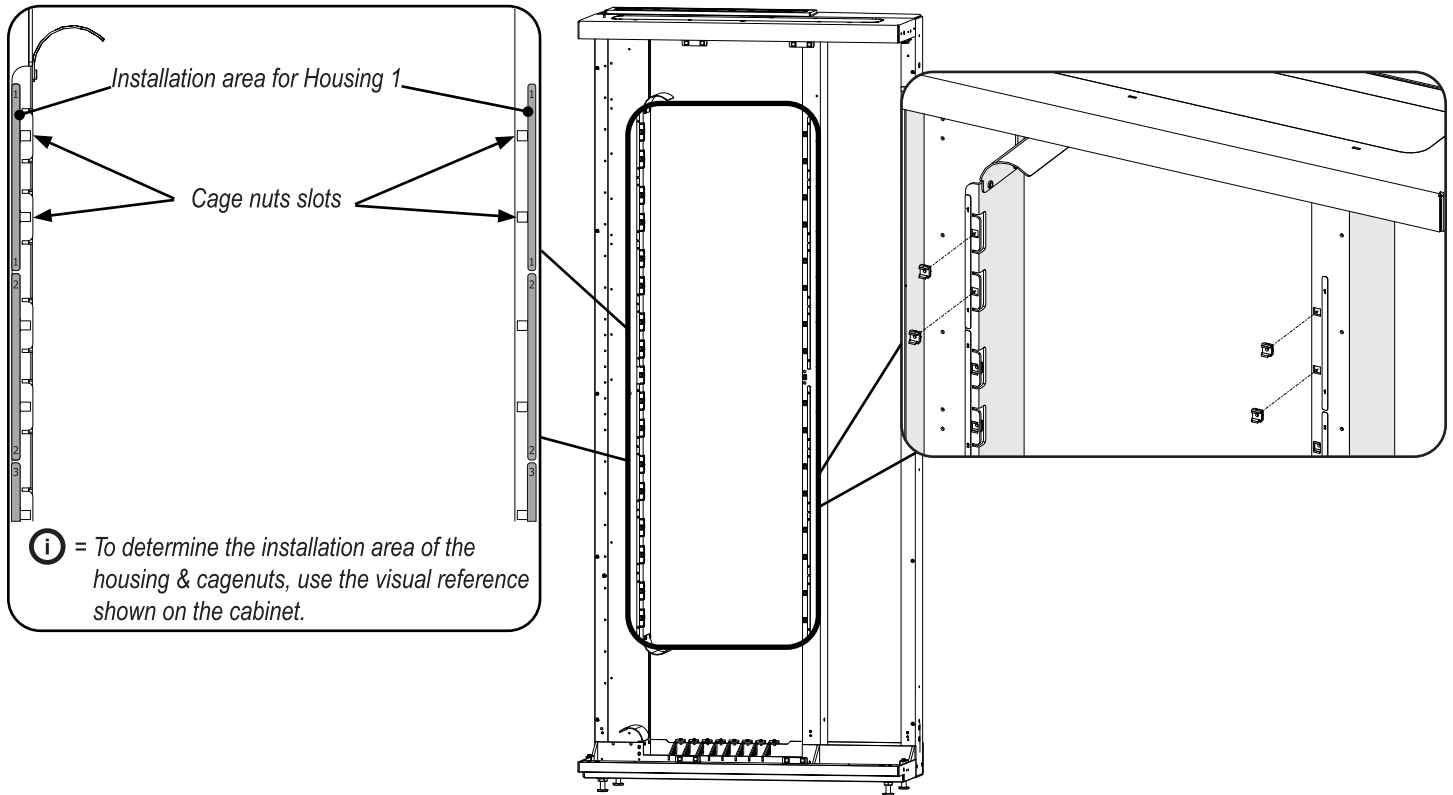
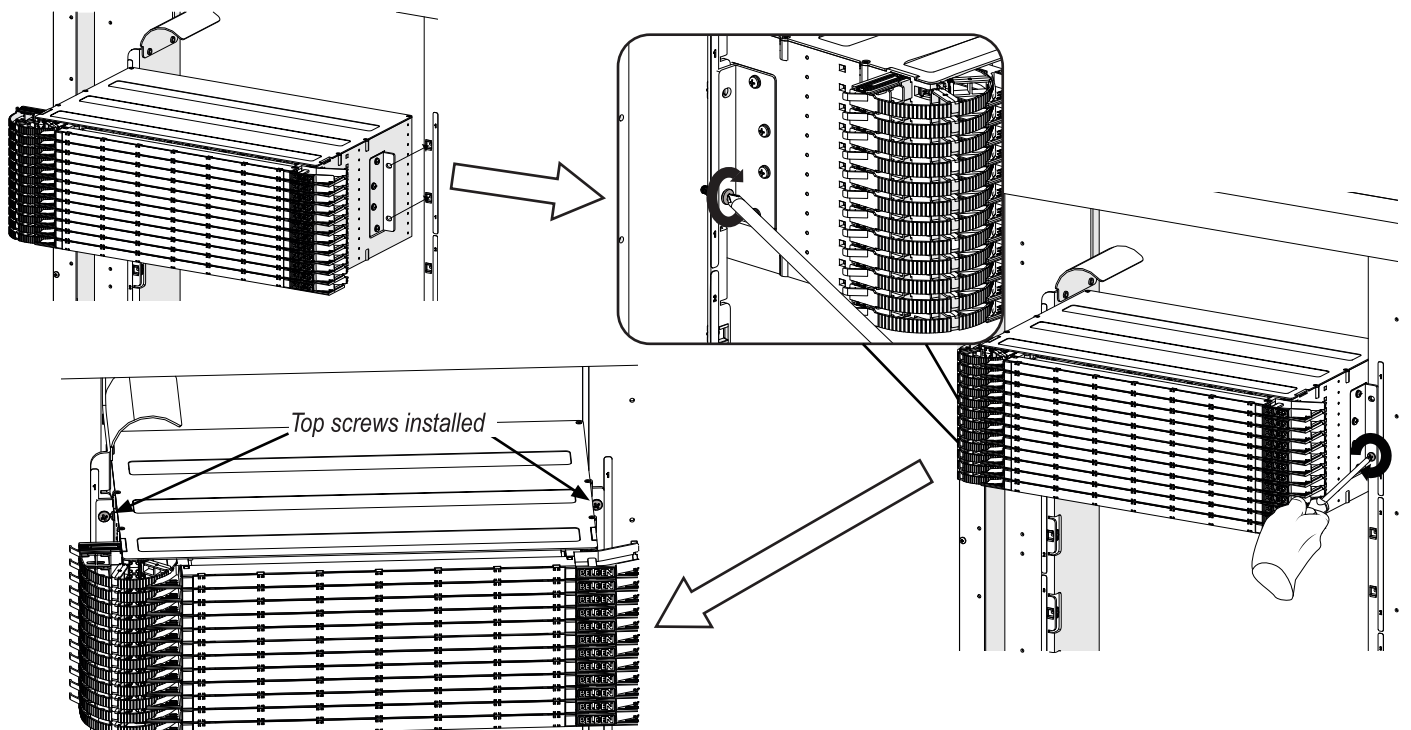


Housing Installation

1. Select an area to insert cage nuts into the Cabinet.

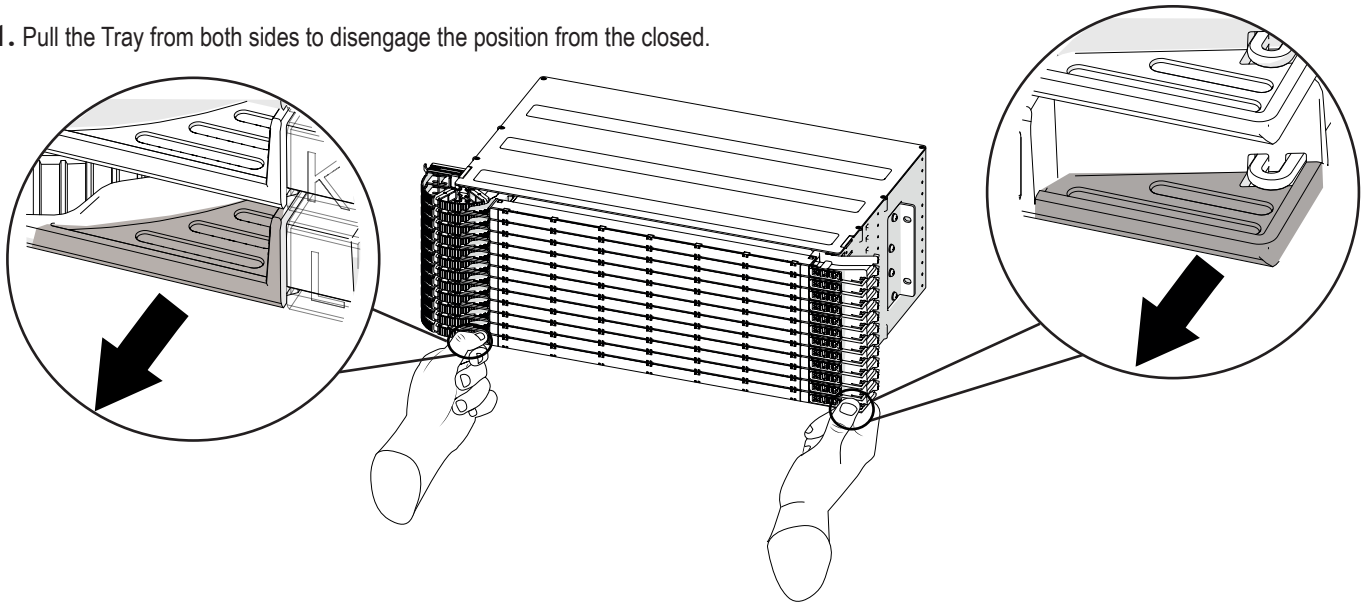


2. Once the installation area is determined, align the Housing brackets to the installed cagenuts. Use the provided screws to secure the bottom (or top) of the brackets. Repeat the previous procedure to secure the remaining sides of the brackets.

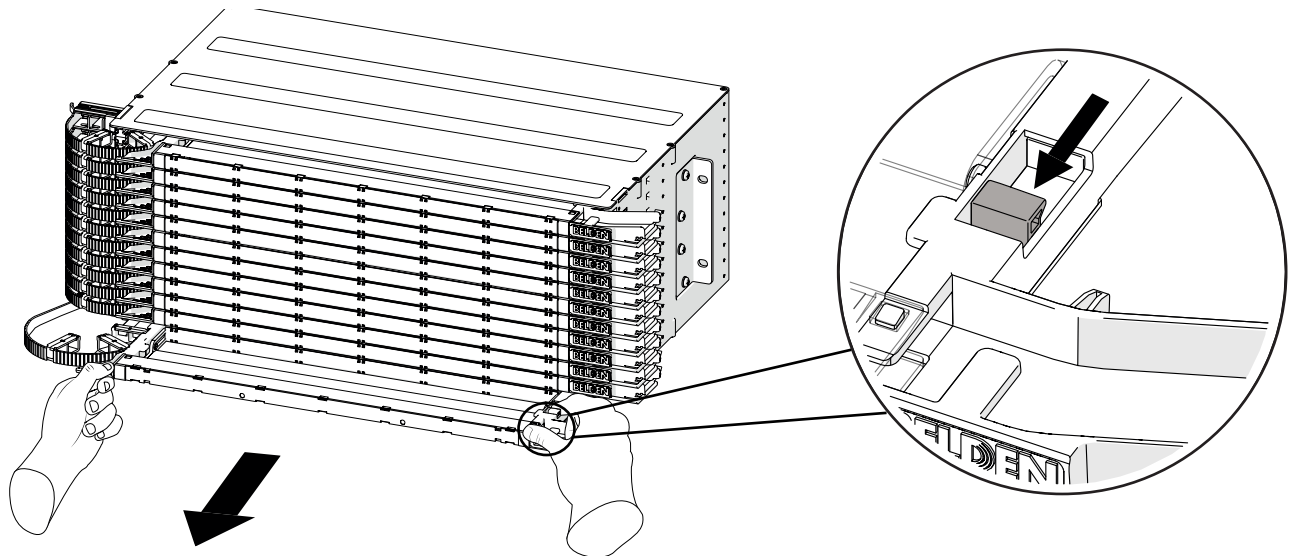


Tray opening

1. Pull the Tray from both sides to disengage the position from the closed.

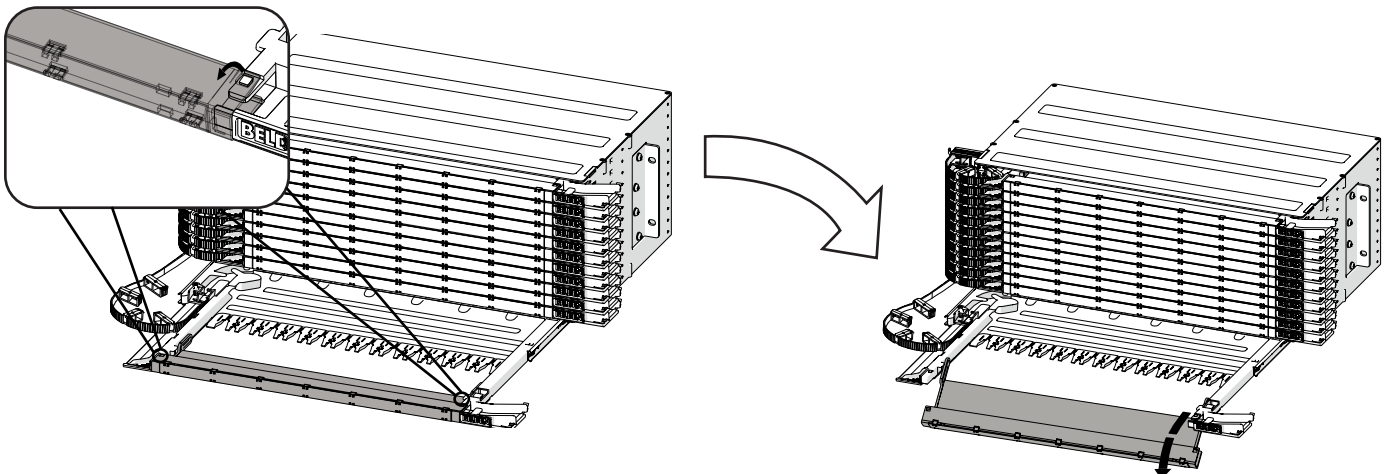


2. To open the Tray completely, squeeze the front latch and pull both sides of the tray.



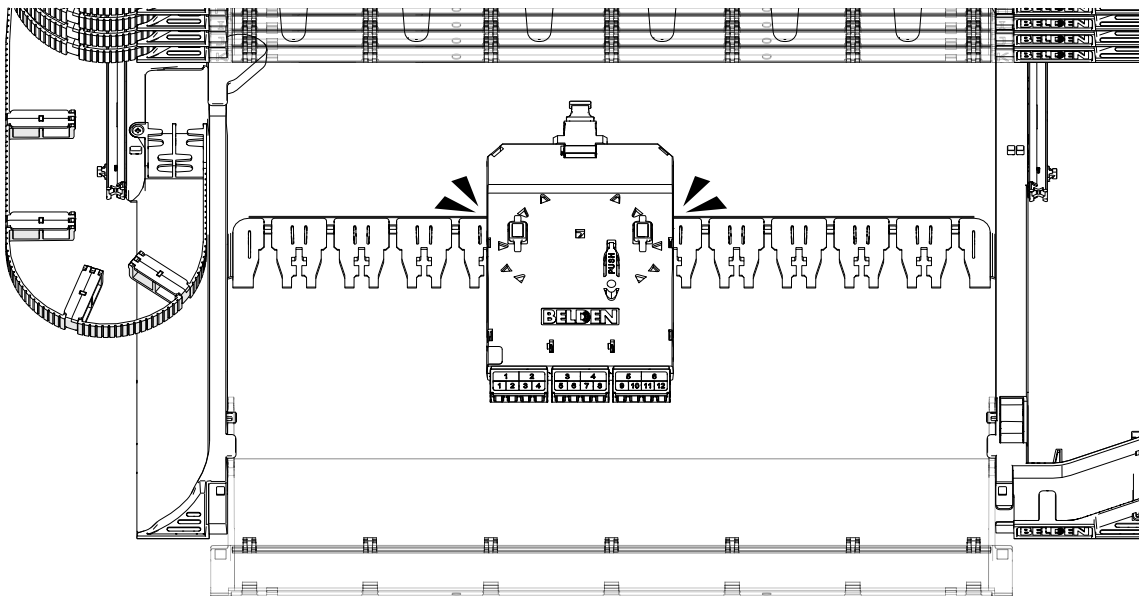
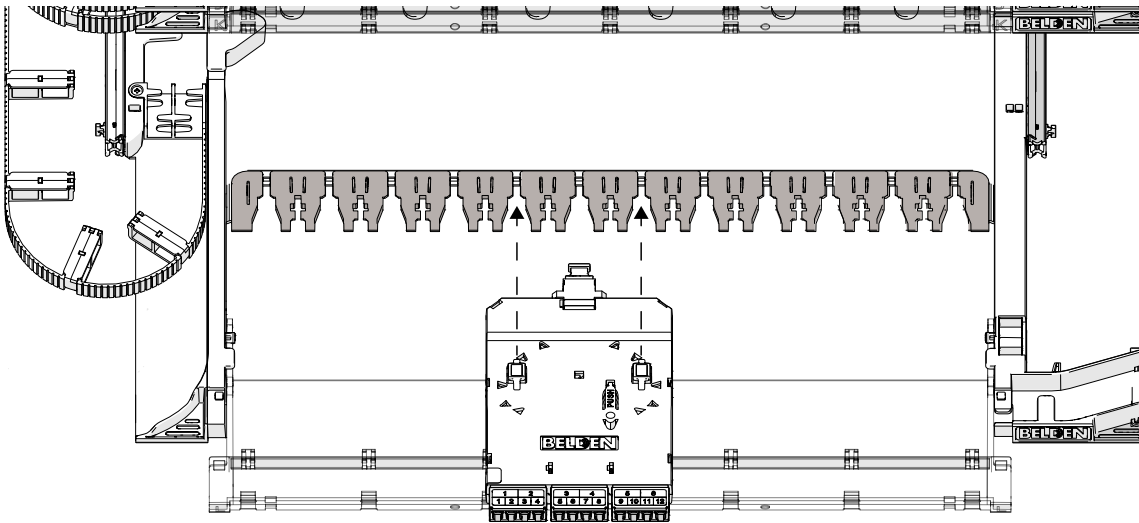
Cassettes/Adapter Frames installation

- 1 Release the Patch Cover by lifting both sides of the cover and pull it outwards.

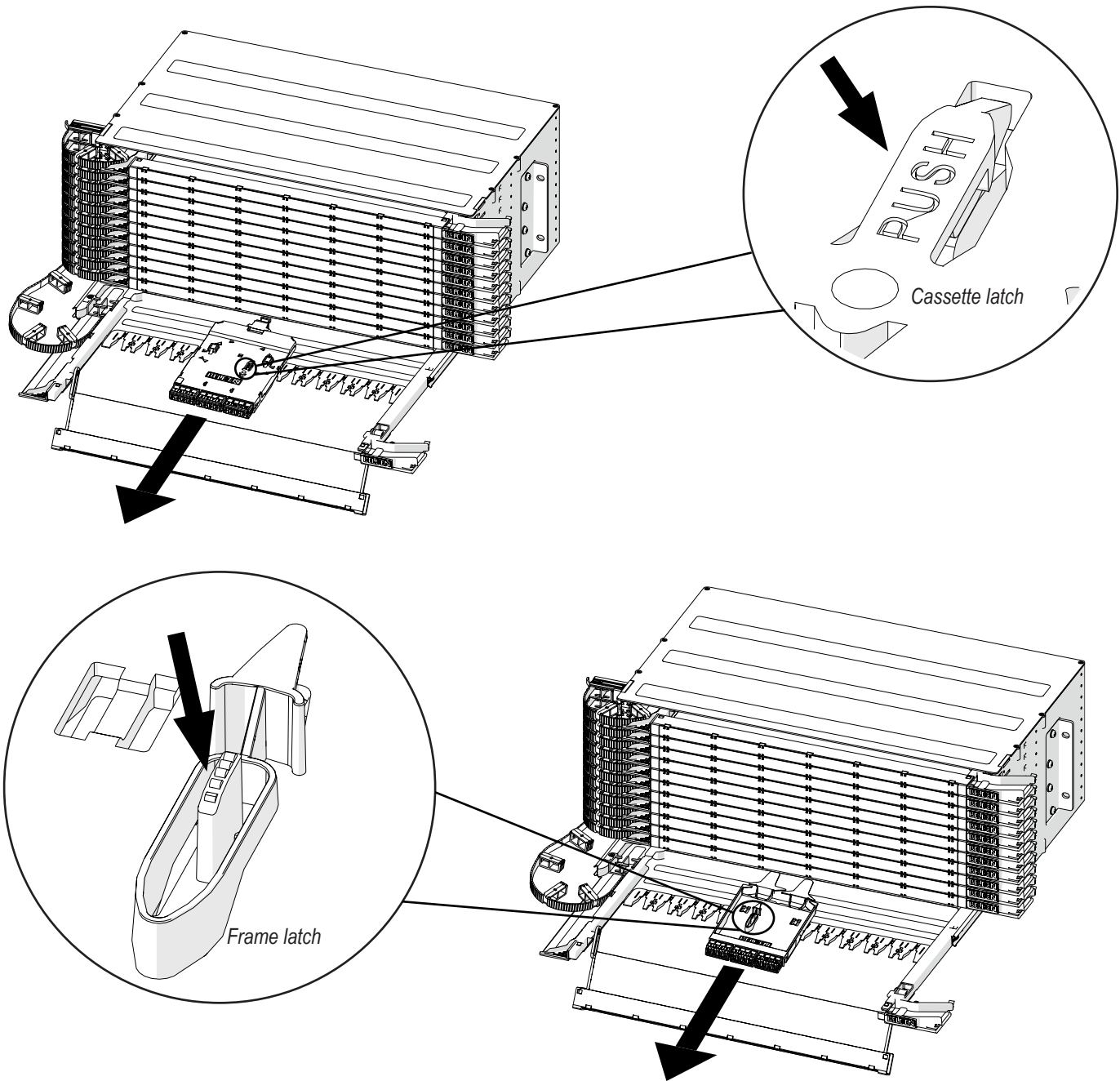


① = The installation procedures shown are similar for DCX Adapter Frames & Splice Cassettes.

2. Align the Cassette brackets to the tray attaching ports.
Make a slight push to attach the Cassette to the Tray.



3. To remove the Cassette/Adapter Frame from the Tray, press on the latch and slide the component outward.



DCX XConnect Housing - Quick Start Guide
PX106857 - EN REV B

This document is also available at our microsite:

www.belden.com/dcx

For more information about BELDEN Technical support, call:

1-800-BELDEN-1

Scan this QR code to
access more technical
information of our
products and get
constant updates



BELDEN