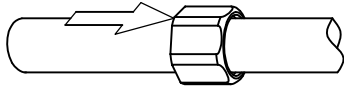


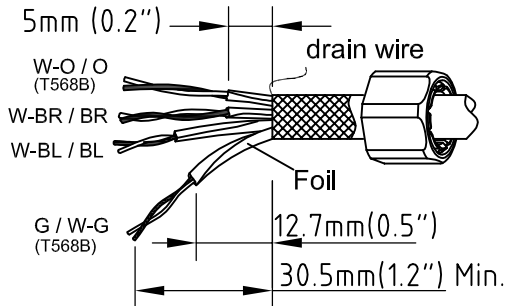
BELDEN Instruction Sheet

SENDING ALL THE RIGHT SIGNALS®

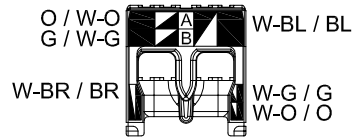


Step 1 :

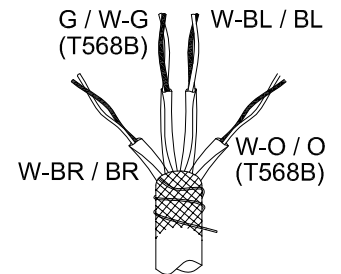
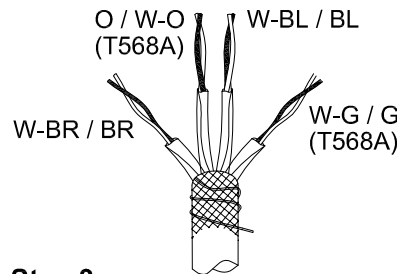
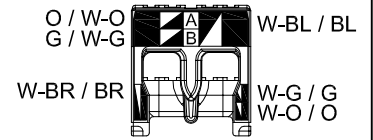
Put cable through the Nut.(OD:6~8mm;22~26AWG)



T568A



T568B



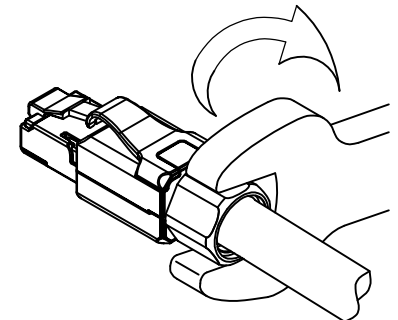
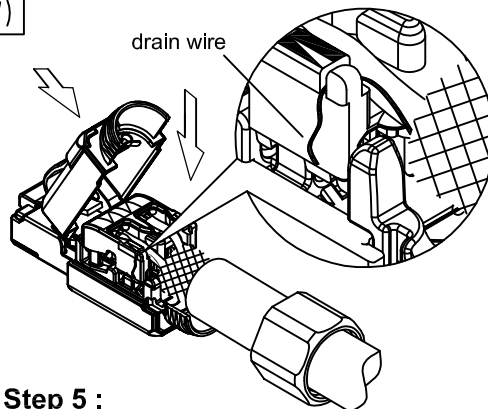
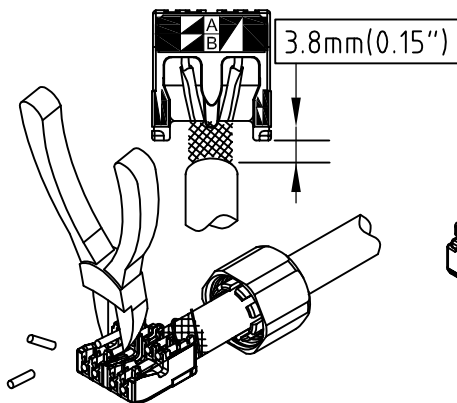
Step 2 :

- ① Strip off at least 30.5mm (1.2") of the cable jacket and retain 12.7 (0.5") & 5mm (0.2") of foil from the cable ends for the pair colors as noted.
- ② Pull the braid back over the cable

Step 3 :

Put the wires through the wire management in accordance with the wiring color code . Keep the braid and drain wire back on the cable jacket.

The example wiring in this step is based on T568B wiring. For T568A wiring applications, please see the T568A image in step 3 to adjust wire length and locations.



Step 4 :

Keep the end of the cable jacket around 3.8mm(0.15") from the rear of the cap. Trim excess wire that extends beyond the cable management

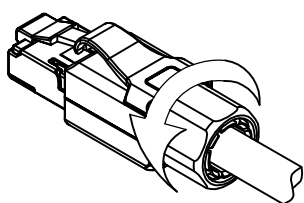
Step 5 :

Assemble the wire management onto the plug. Then press the cover to engage it with the plug base housing.
 *(A tool - such as pliers - will be required for termination if the cable is thick.)
 *(When the cable grounding consists of only a drain wire, put the wire into the slot in the wire management as shown.)

Step 6 :

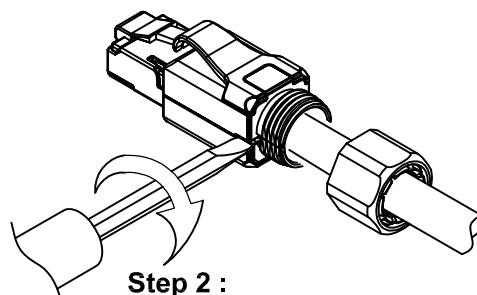
Then slide the nut forward and tighten.
 *(A tool might be required when tightening the nut.)

Disassembly Instruction:



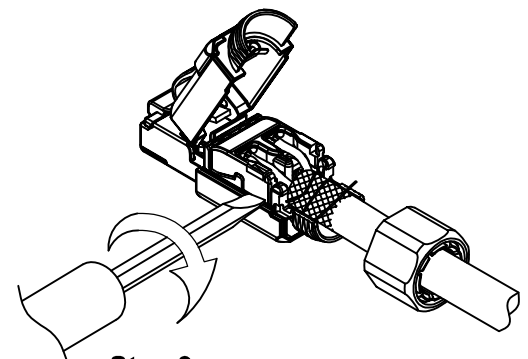
Step 1 :

Loosen the nut.



Step 2 :

Insert a slotted screwdriver into the slot in the plug and rotate it to open the jaws.



Step 3 :

Insert a slotted screwdriver into the slot between the plug and wire management and rotate to separate the wire management.